



Photos by Photo 4

BRITISH G.P 1991
- SILVERSTONE

6th **B. Gachot**
Ret. A. De Cesaris

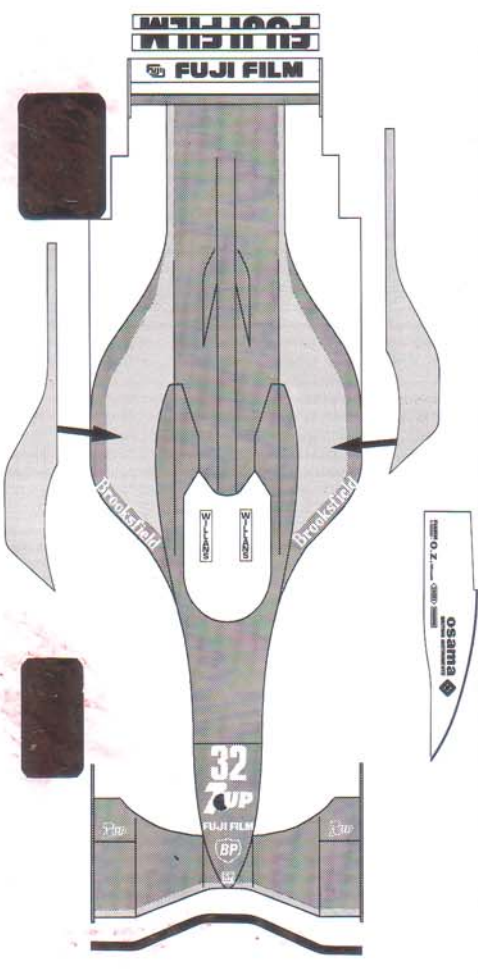
Ghachot **De Cesaris**
chassis **chassis**
191-5 **191-3**

TMK 143



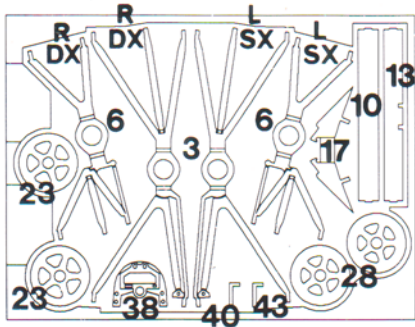
JORDAN 191 **BRITISH G.P. 1991**

N° 33 A. DE CESARIS
N° 32 B. GACHOT



TAMEO KIDS
V.le Cristoforo Colombo 36/38
17022 Borgho Verezzi (SV) Italy
Tel. 019 - 61.52.50 / Fax 019 - 61.53.10

Made in Italy. Collector 1/43 Scale Models. Vietata la vendita ai minori di 14 anni. Nocivo per ingestione. Conservare fuori dalla portata dei bambini. Si declina ogni responsabilità per danni derivanti da uso improprio del prodotto.
Made in Italy. Collector 1/43 Scale Models. Not for sale to person under 14 years of age. Dangerous in swallowed. Keep out of the reach of children. Tameo shall not be held responsible for any damage or injury resulting from improper use of the product.
Fabriqué en Italie. Collector 1/43 Scale Models. Vente interdite aux enfants de moins de 14 ans. Dangereux si avalé. Conserver hors de la portée des enfants. Tameo décline toute responsabilité dans le cas de dommages ou préjudices résultant de l'usage non approprié du produit.



VERDE / GREEN 8-9-10-11-14-15-20-31-32-33-34-35
NERO OPACO / MATT BLACK 2-5-12-13-16-17-19-36-37-41
VERDE CHIARO / LIGHT GREEN 39-42 (De Cesaris)
ROSSO / RED 39-42 (Gachot)
ARGENTO / SILVER 18-25-30

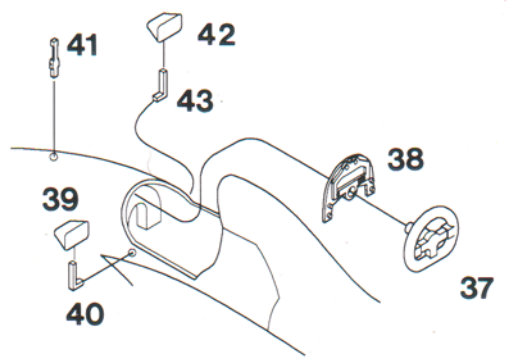
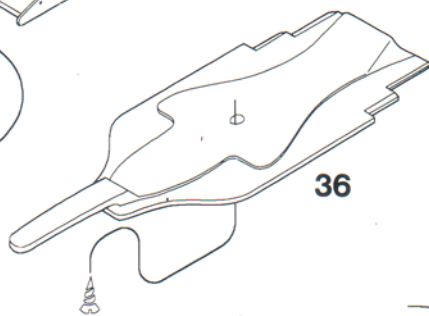
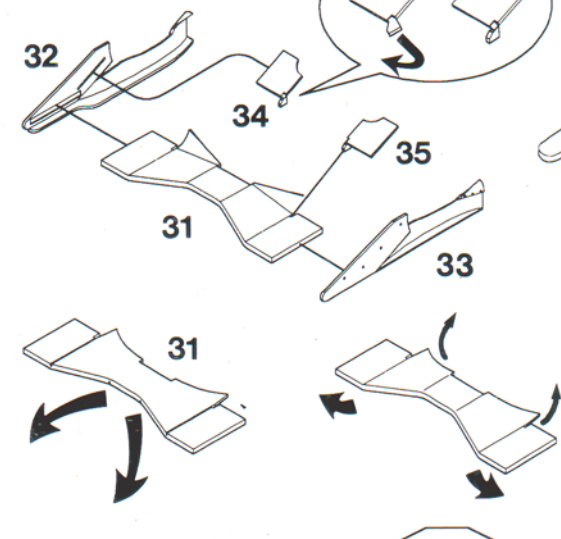
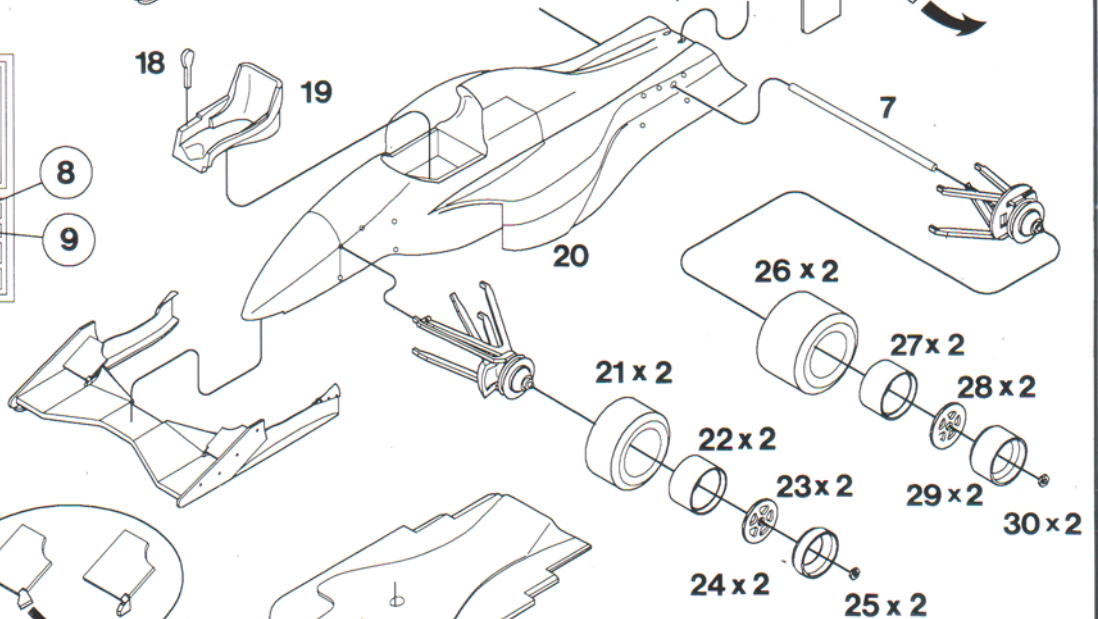
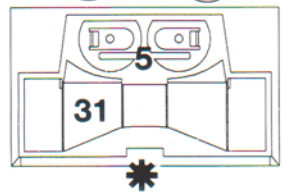
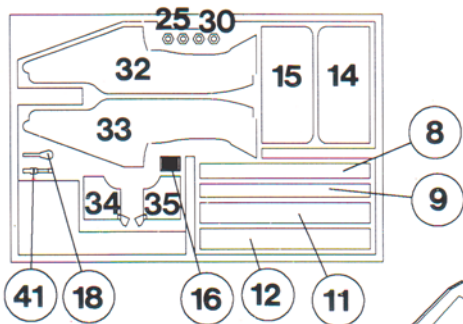
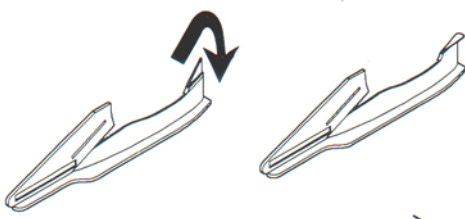
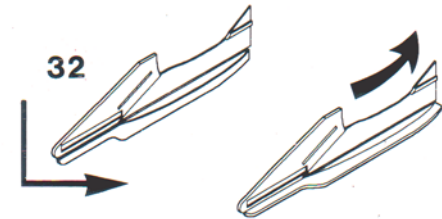
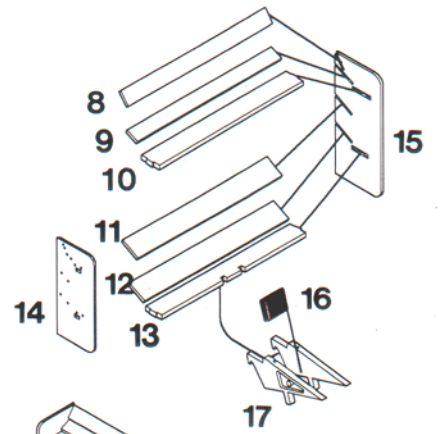
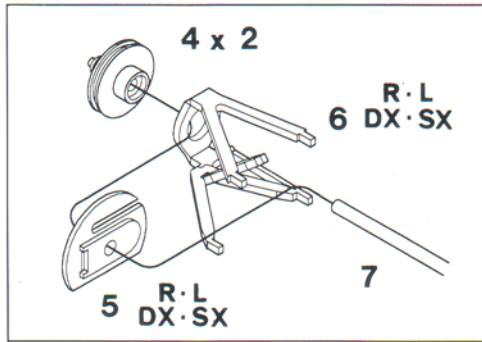
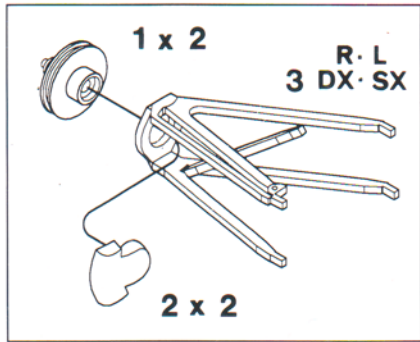
Conversione Colori
Colour Conversion

Verde / Green

Verde Chiaro / Light green

Rosso / Red

Duplicolor Ford
Bitter Green
Humbrol N° 38
Humbrol n° 19



* Usare come registro per l' inclinazione dell' ala anteriore
 Use this master to bend the front wing