

# SilverLine

## SLK019 Williams BMW FW27 MALAYSIAN G.P. 2005 M. Webber - N. Heidfeld

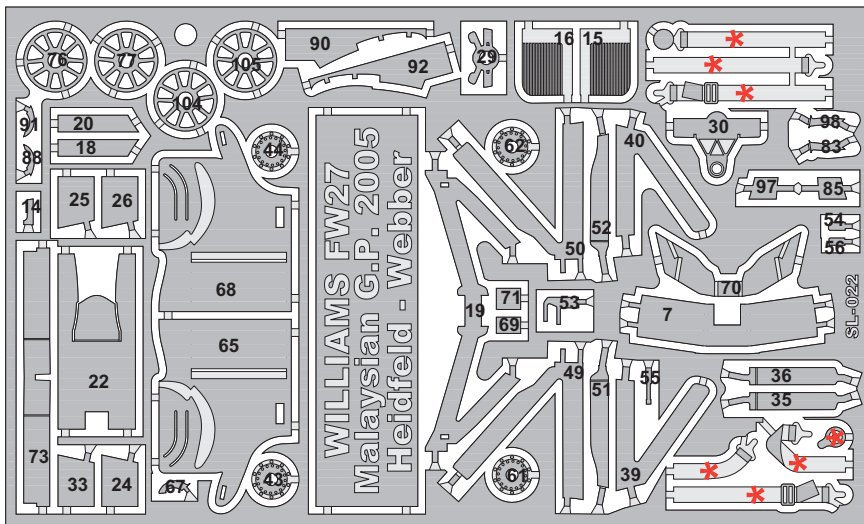


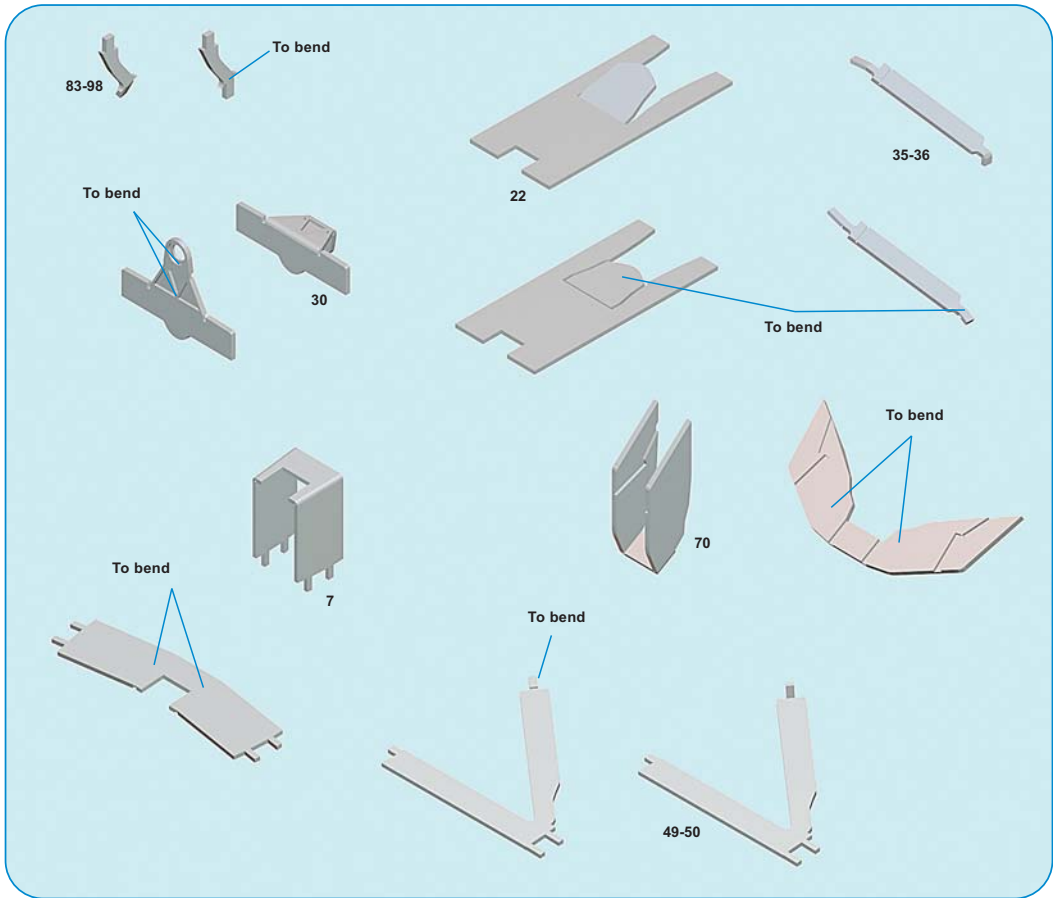
**SilverLine** distributed by Tameo Kits

Via Valle, 111 - P.O. Box 61  
17022 BORGIO VEREZZI - SV - ITALY  
Tel. 39 019 - 615.250

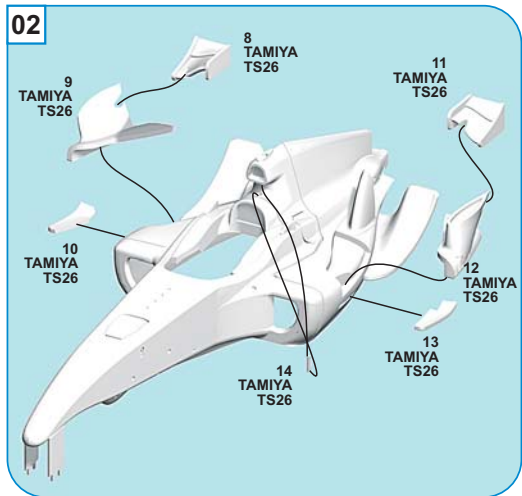
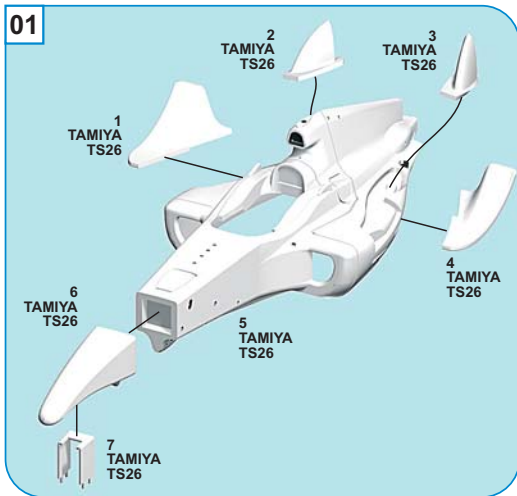
- I** Made in Italy. Modello per collezionisti in scala 1/43. Vietata la vendita ai minori di 14 anni. Nocivo per ingestione. Conservare fuori dalla portata dei bambini. Tameo Kits declina ogni responsabilità per un uso improprio del prodotto.
- GB** Made in Italy. Collector 1/43 Scale Models. Not for sale to persons under 14 years of age. Dangerous if swallowed. Keep out of reach of children. Tameo Kits not held responsible for any damage or injury resulting from improper use of the product.
- F** Made in Italy. Modèle pour collectionneurs échelle 1/43. Vente interdite aux enfants de moins de 14 ans. Dangereux si avalé. Conserver hors de la portée des enfants. Tameo Kits decline toute responsabilité dans le cas de dommages dérivants de l'usage non approprié du produit.
- D** Made in Italy. Sammlermodell im Massstab 1/43. Verkauf an Jugendliche unter 14 Jahren verboten. Schädlich bei Verschlucken. Tameo Kits lehnt jede Verantwortung bei unsachgemässer Benutzung des Produktes ab.
- E** Hecho en Italia. Coleccion de modelos a escala 1/43. Prohibida la venta a menores de 14 años. No comestible. Mantener fuera del alcance de los niños. Tameo Kits no se hace responsable de los daños causados por el uso incorrecto de este producto.

[www.tameokits.com](http://www.tameokits.com)    [sales@tameokits.com](mailto:sales@tameokits.com)    [technical@tameokits.com](mailto:technical@tameokits.com)

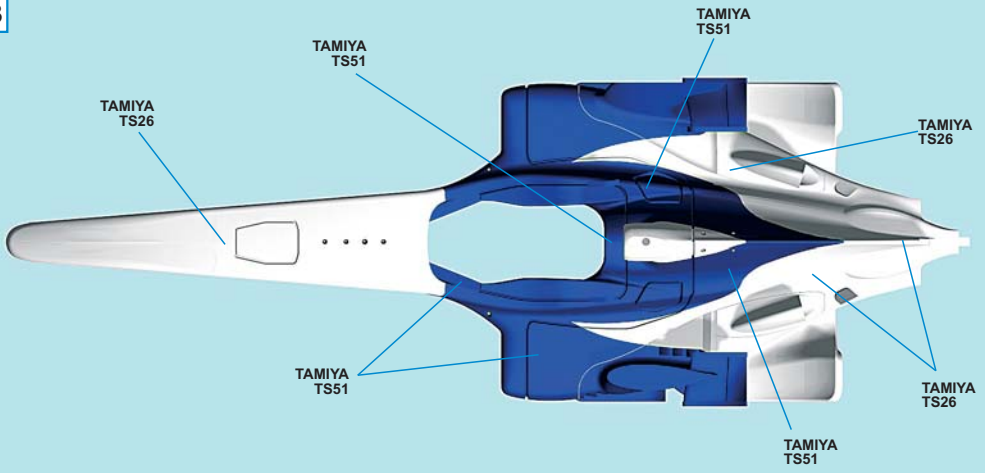




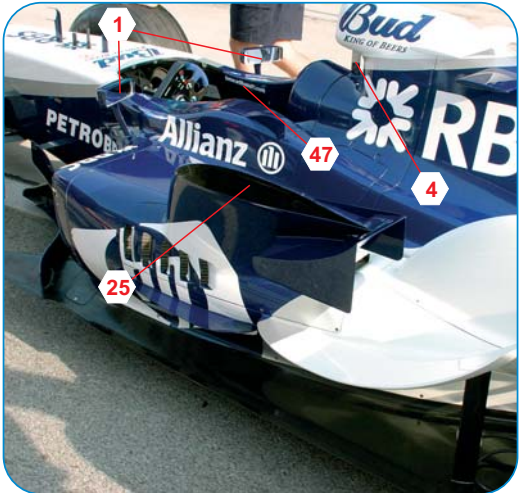
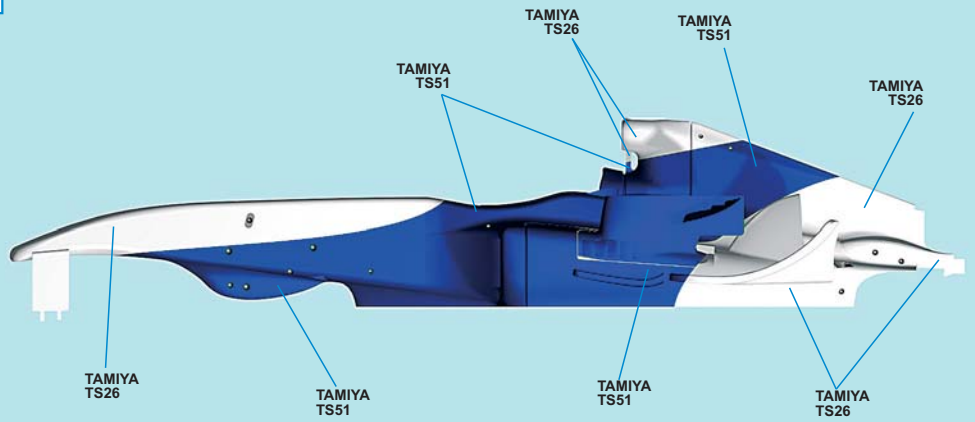
TO BEND  
PIEGARE  
BIEGEN  
PLIER  
DOBLAR



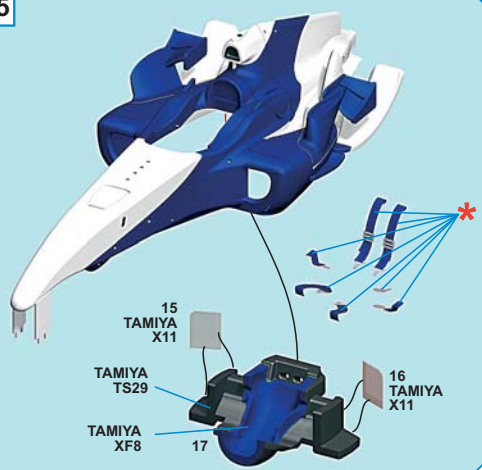
03

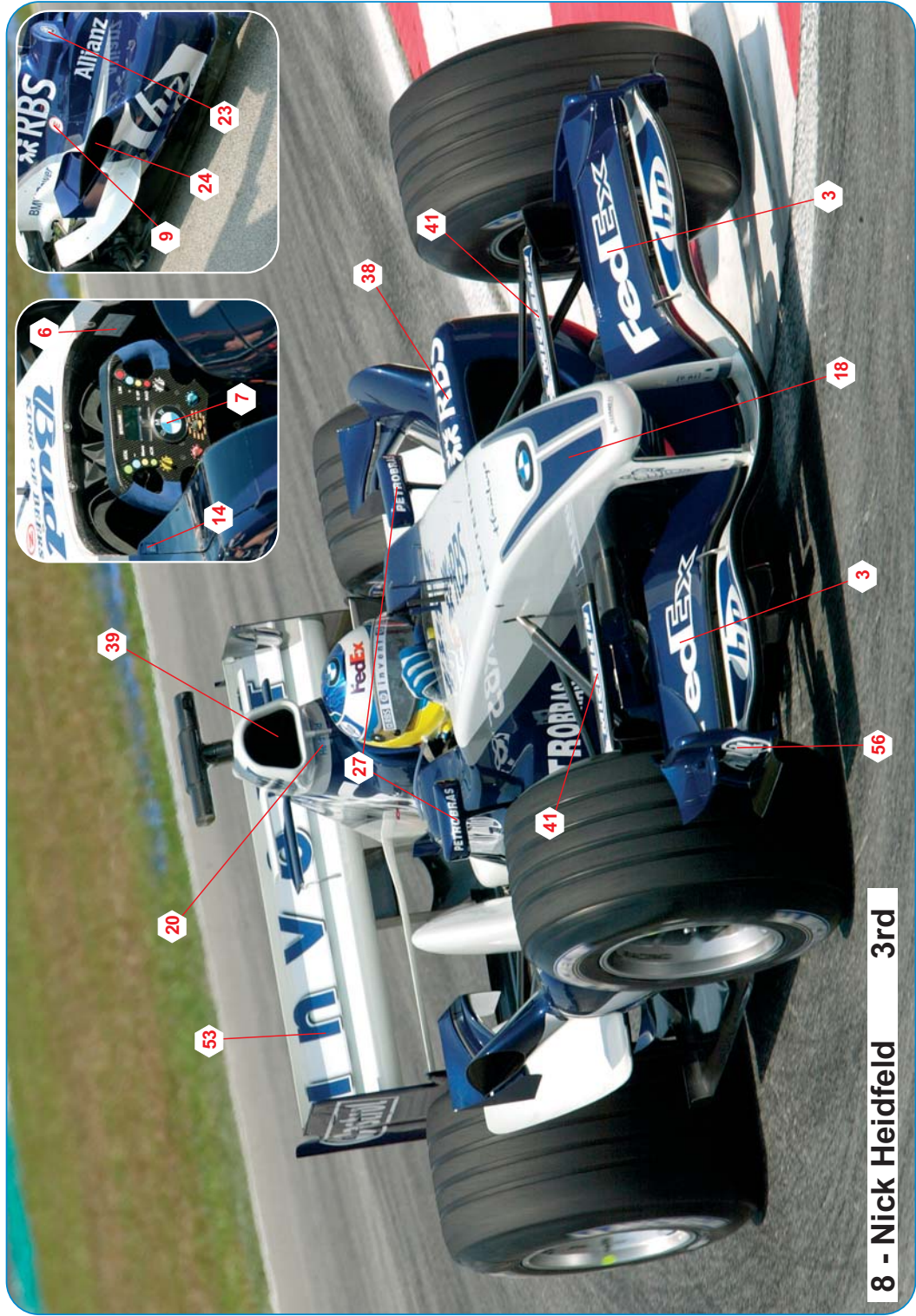


04

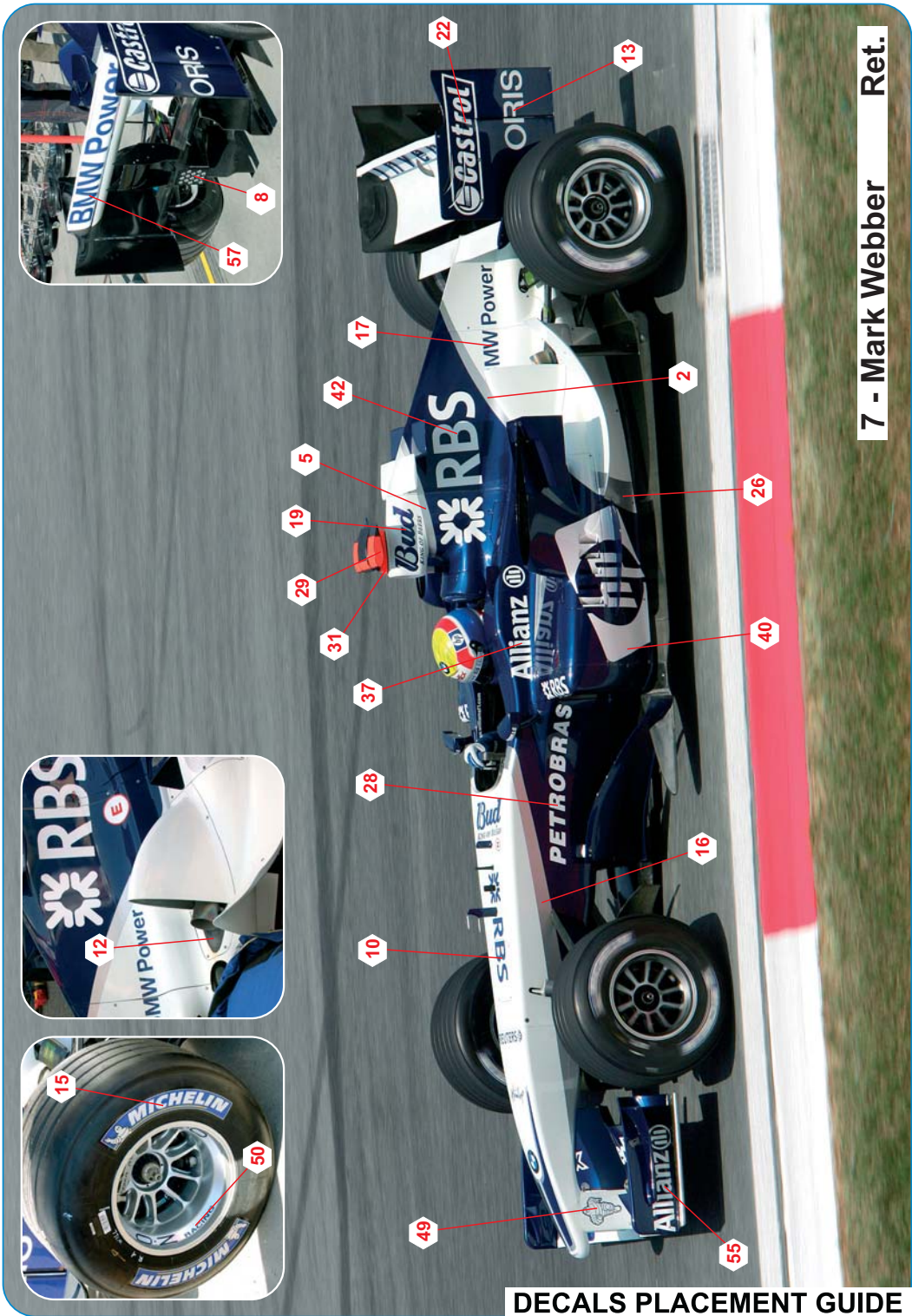


05



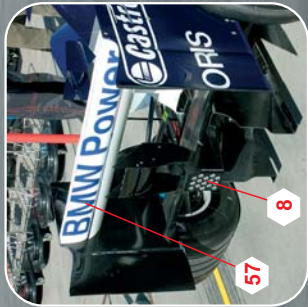


8 - Nick Heidfeld 3rd



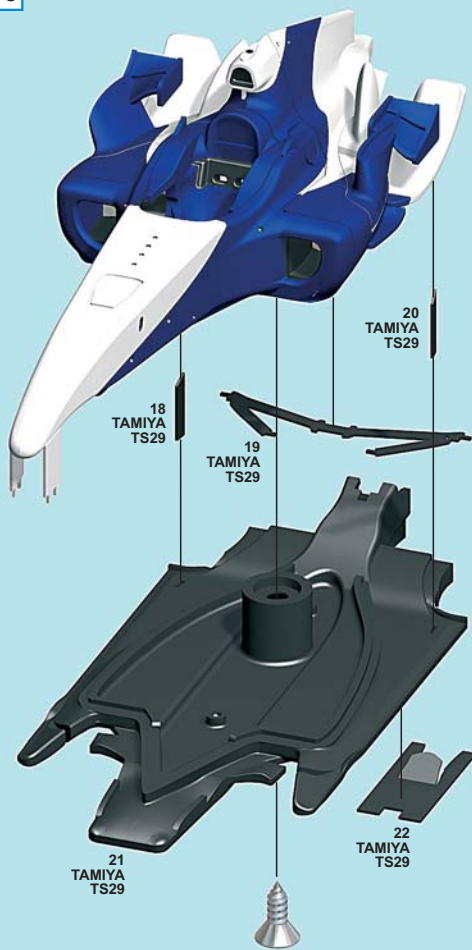
7 - Mark Webber Ret.

DECALS PLACEMENT GUIDE

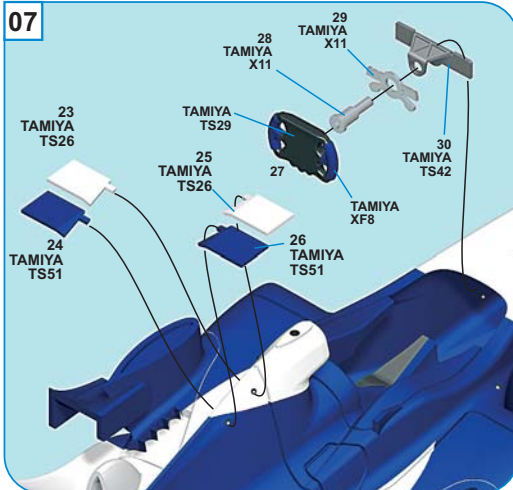


- 1 - Front wing
- 2 - Front wing
- 3 - Front wing
- 4 - Front wing
- 5 - Front wing
- 6 - Front wing
- 7 - Front wing
- 8 - Front wing
- 9 - Front wing
- 10 - Front wing
- 11 - Front wing
- 12 - Front wing
- 13 - Front wing
- 14 - Front wing
- 15 - Front wing
- 16 - Front wing
- 17 - Front wing
- 18 - Front wing
- 19 - Front wing
- 20 - Front wing
- 21 - Front wing
- 22 - Front wing
- 23 - Front wing
- 24 - Front wing
- 25 - Front wing
- 26 - Front wing
- 27 - Front wing
- 28 - Front wing
- 29 - Front wing
- 30 - Front wing
- 31 - Front wing
- 32 - Front wing
- 33 - Front wing
- 34 - Front wing
- 35 - Front wing
- 36 - Front wing
- 37 - Front wing
- 38 - Front wing
- 39 - Front wing
- 40 - Front wing
- 41 - Front wing
- 42 - Front wing
- 43 - Front wing
- 44 - Front wing
- 45 - Front wing
- 46 - Front wing
- 47 - Front wing
- 48 - Front wing
- 49 - Front wing
- 50 - Front wing
- 51 - Front wing
- 52 - Front wing
- 53 - Front wing
- 54 - Front wing
- 55 - Front wing
- 56 - Front wing
- 57 - Front wing

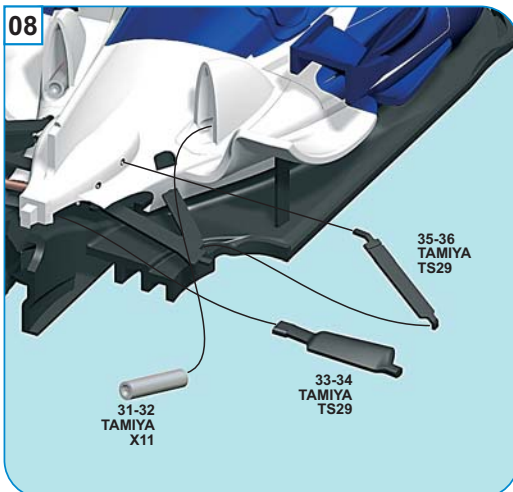
06



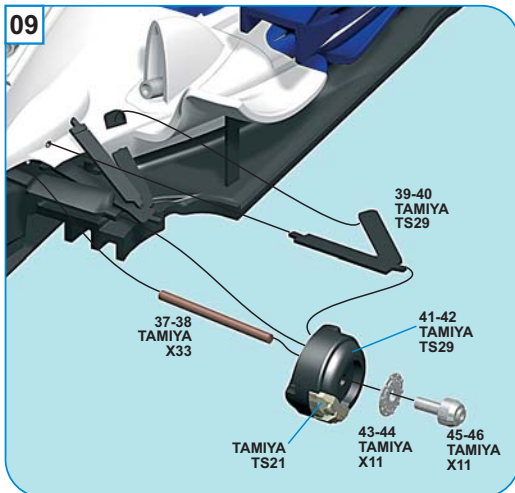
07



08



09



10

