

SLK060

March Ford 761

USA West G.P. 1976

R. Peterson - H.J. Stuck

SilverLine distributed by Tameo Kits

Via Valle, 111 - P.O. Box 61
17022 BORGIO VEREZZI - SV - ITALY
Tel. 39 019 - 615.250 - Fax. 39 019 - 615.310

Made in Italy. Collector 1/43 Scale Models. Vietata la vendita ai minori di 14 anni. Nocivo per ingestione. Conservare fuori dalla portata dei bambini. Tameo Kits declina ogni responsabilità per un uso improprio del prodotto.

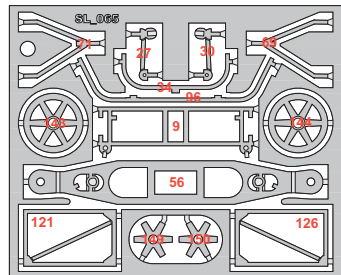
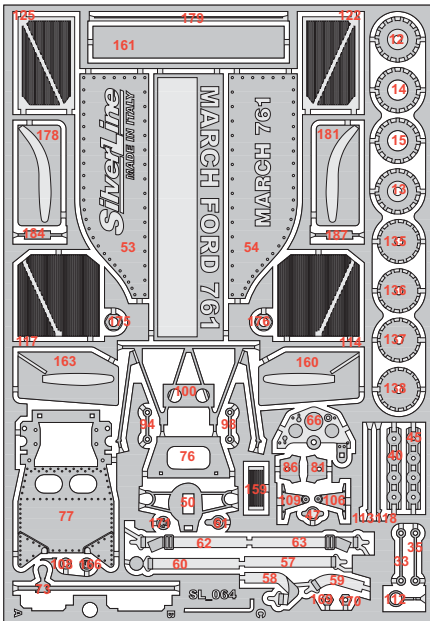
Made in Italy. Collector 1/43 Scale Models. Not for sale to persons under 14 years of age. Dangerous if swallowed. Keep out of reach of children. Tameo Kits not held responsible for any damage or injury resulting from improper use of the product.

Made in Italy. Collector 1/43 Scale Models. Vente interdite aux enfants de moins de 14 ans. Dangereux si avale. Conserver hors de la portée des enfants. Tameo Kits décline toute responsabilité dans le cas de dommages dérivants de l'usage non approprié du produit.

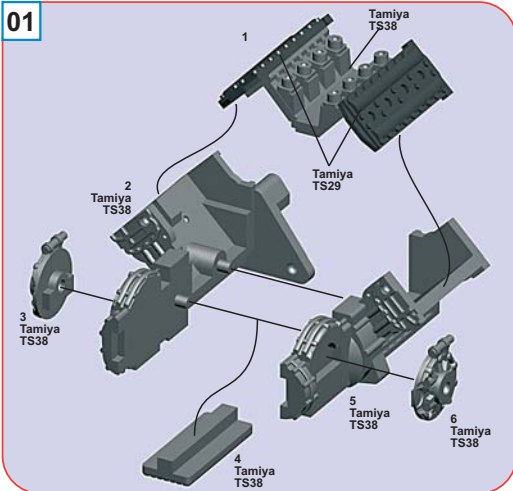
Made in Italy. Collector 1/43 Scale Models. Verkauf an jugendliche unter 14 Jahren verboten. Schädlich bei Einnahme. Von Kindern ferhalten. Tameo Kits lehnt jede Verantwortung bei unkorrektem Gebrauch seines Produktes ab.

Hecho en Italia. Coleccion de modelos a escala 1/43. Prohibida la venta a menores de 14 años. No comestible. Mantener fuera del alcance e de los niños. Tameo Kits no se hace responsable de los daños causados por el uso incorrecto de este producto.

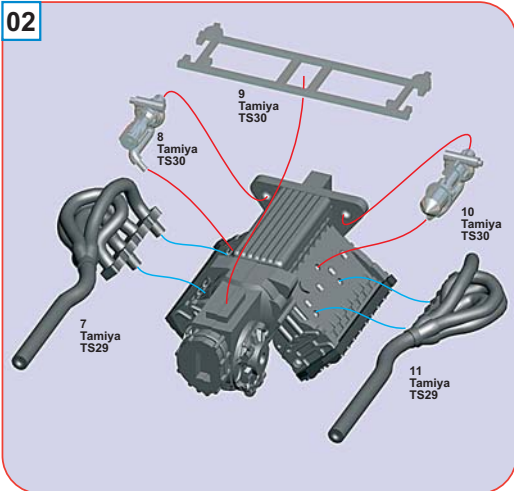
Web Site: www.tameokits.com E-mail: sales@tameokits.com E-mail: technical@tameokits.com



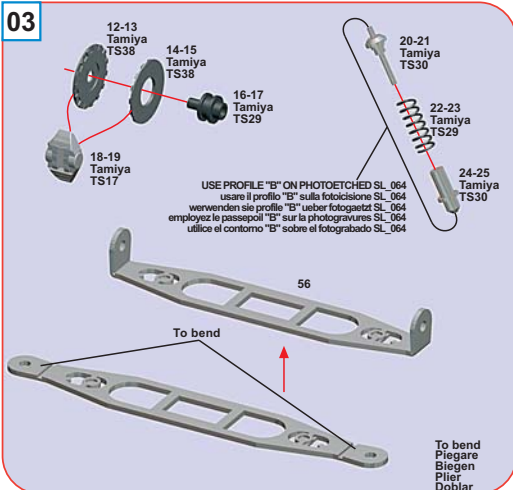
01



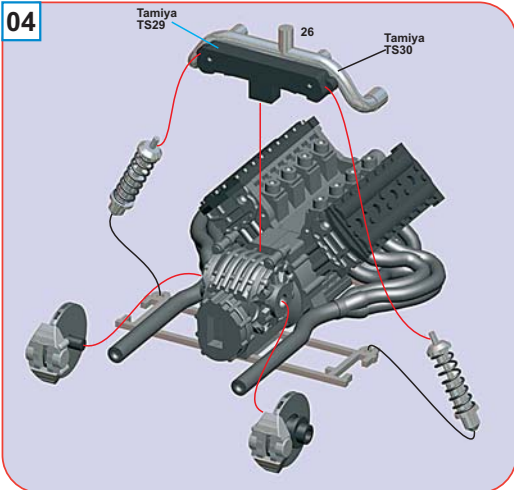
02



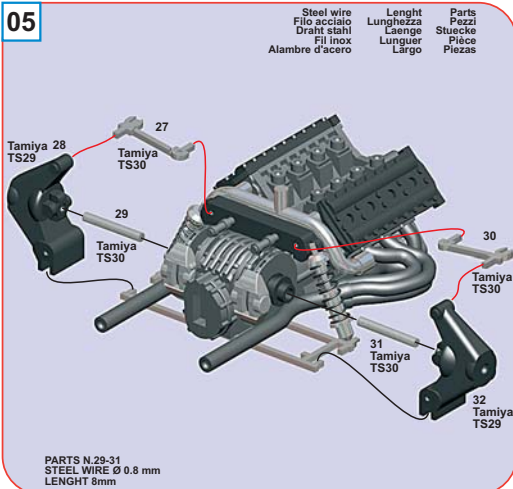
03



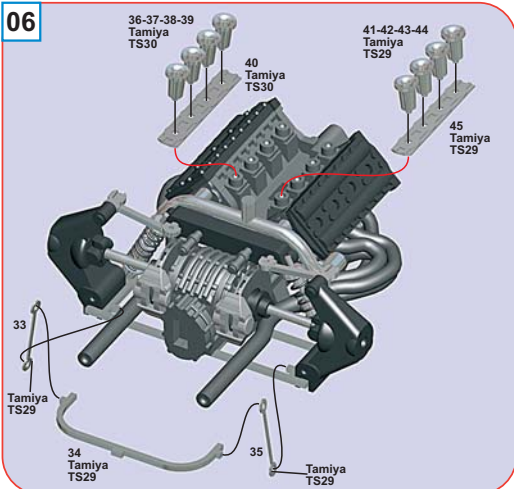
04



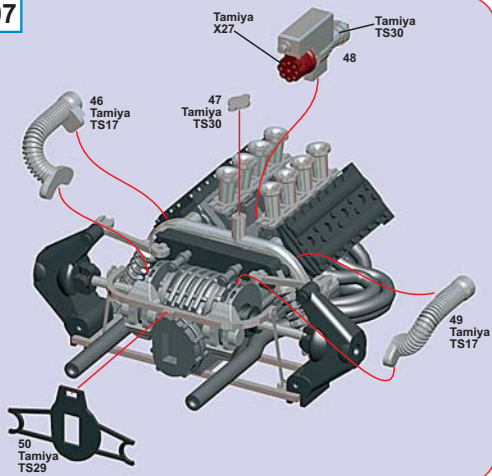
05



06



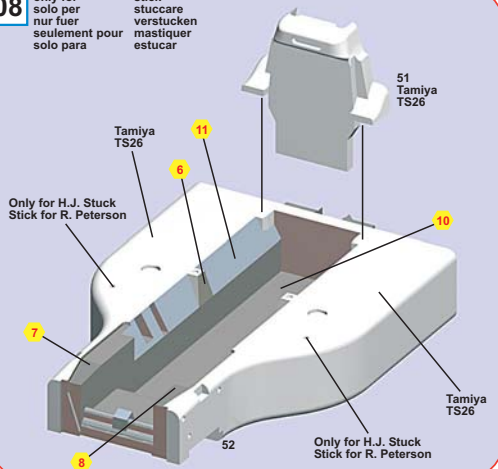
07



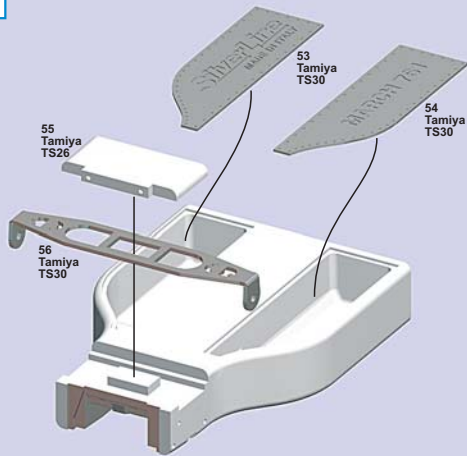
08

only for
solo per
nur fuer
seulement pour
solo para

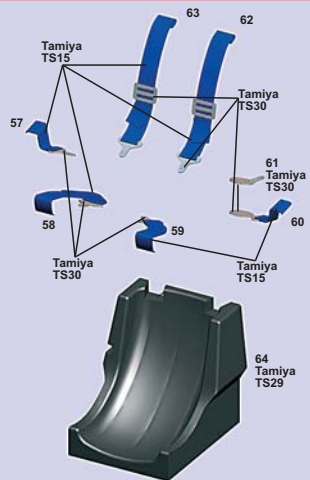
stick
stuccare
verstucken
mastiquer
estucar



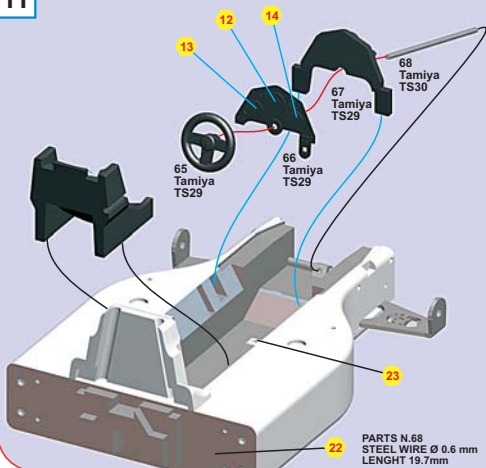
09



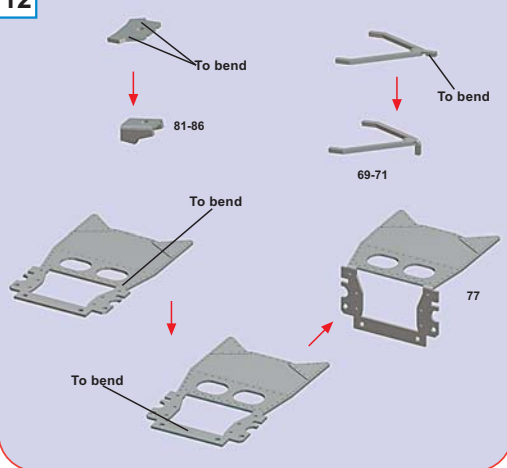
10



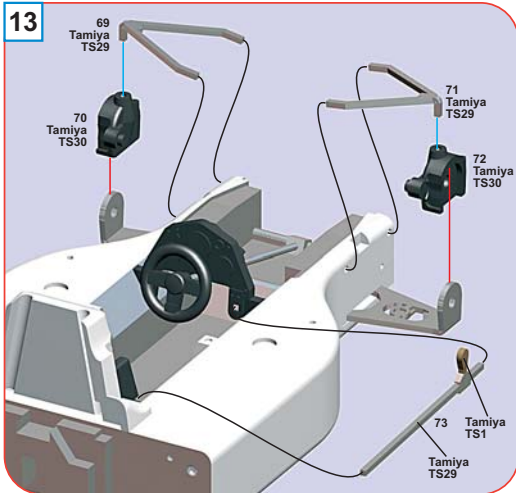
11



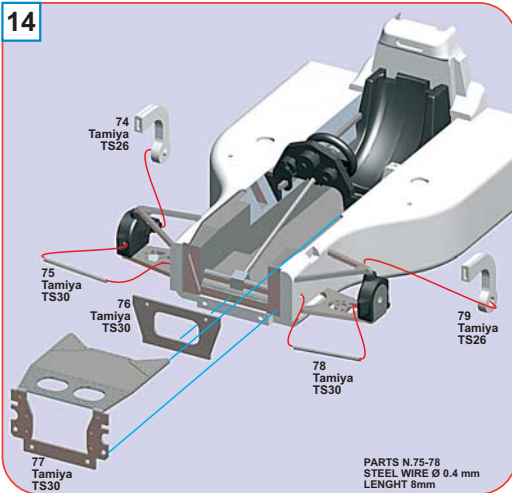
12



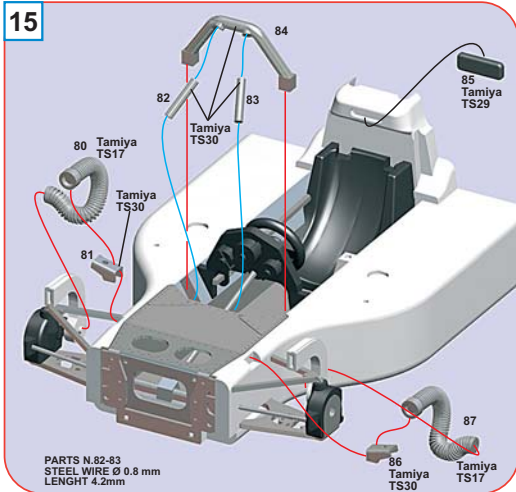
13



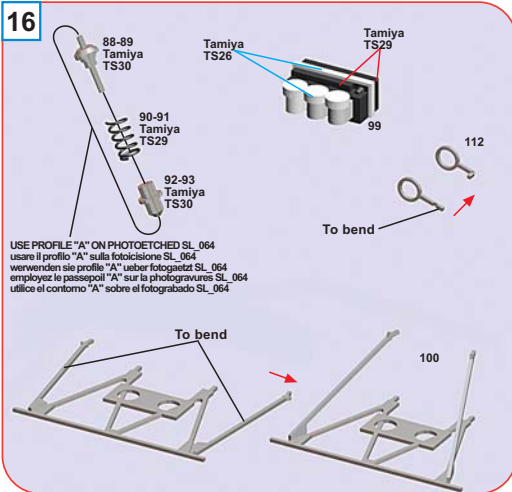
14



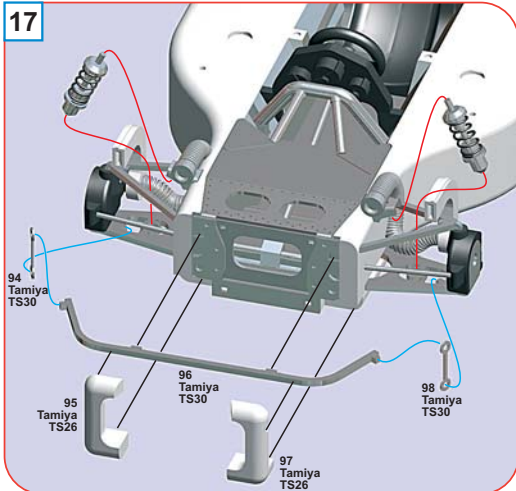
15



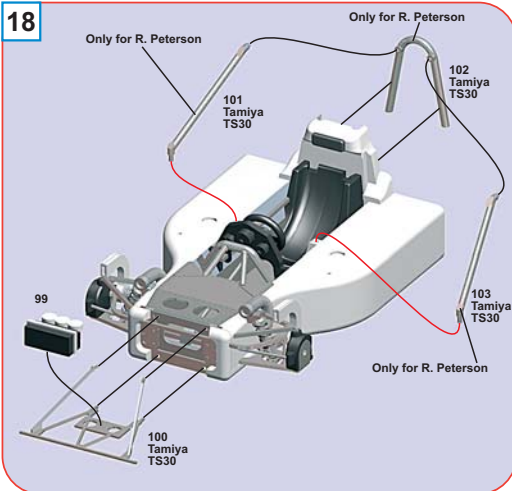
16



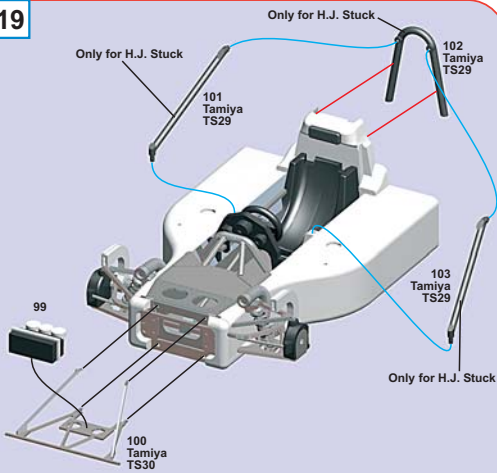
17



18

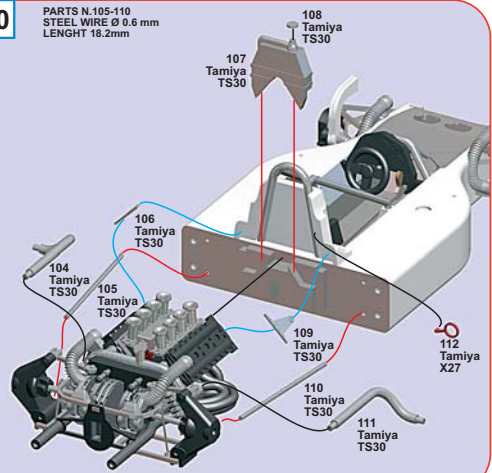


19

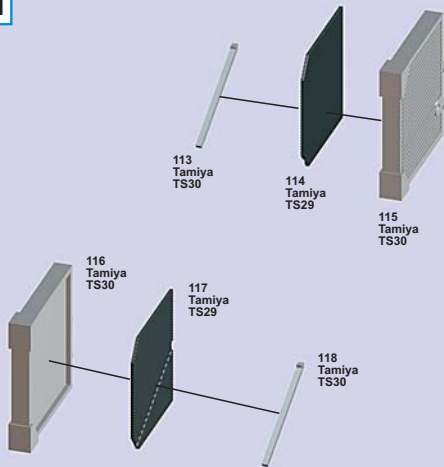


20

PARTS N.105-110
STEEL WIRE Ø 0.6 mm
LENGHT 18.2mm

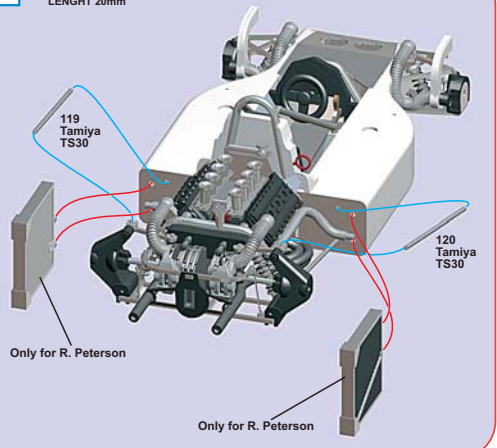


21

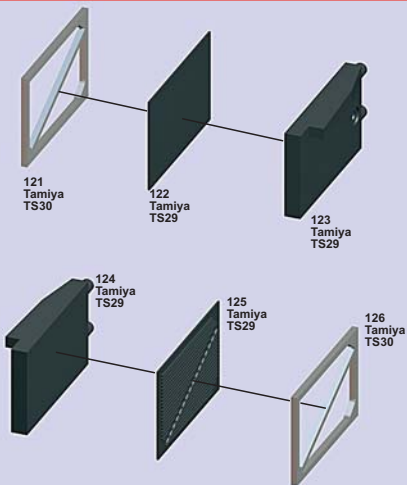


22

PARTS N.119-120
STEEL WIRE Ø 0.6 mm
LENGHT 20mm

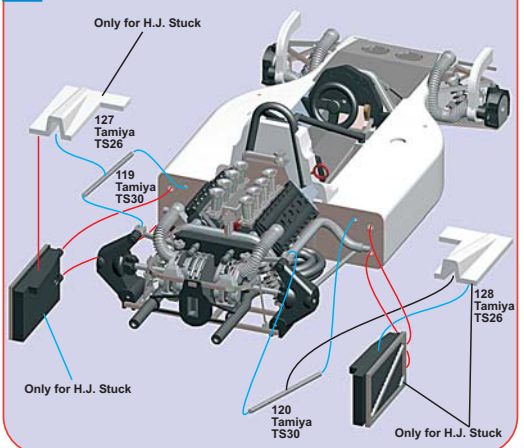


23

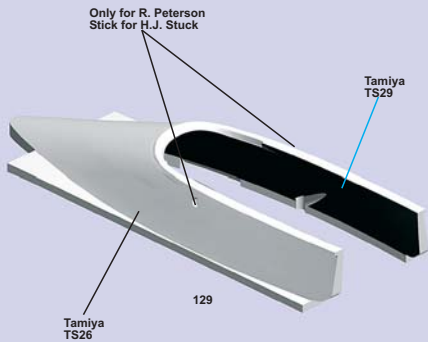


24

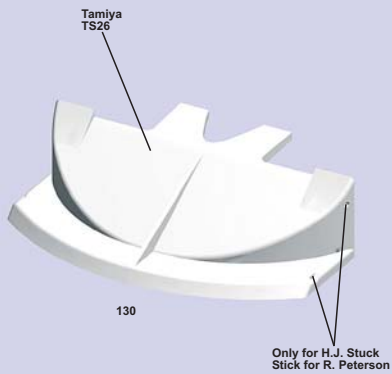
PARTS N.119-120
STEEL WIRE Ø 0.6 mm
LENGHT 20mm



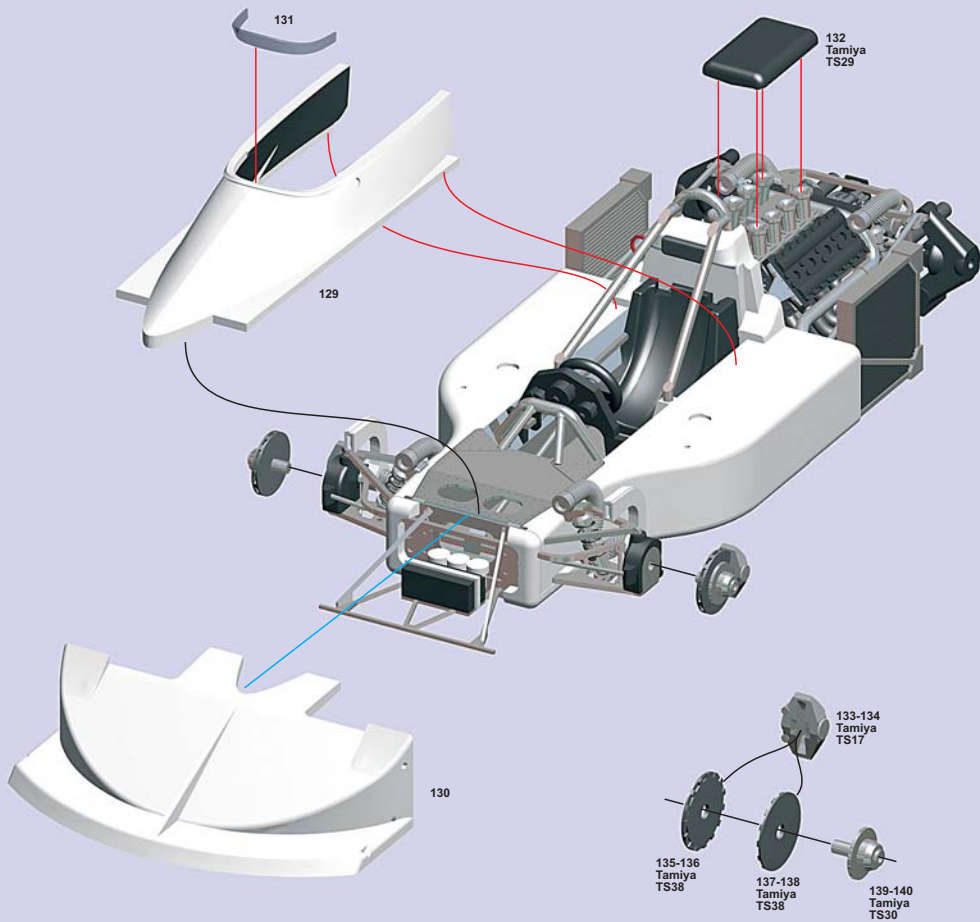
25



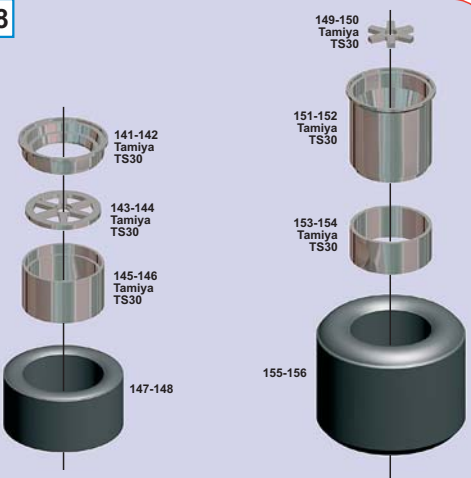
26



27

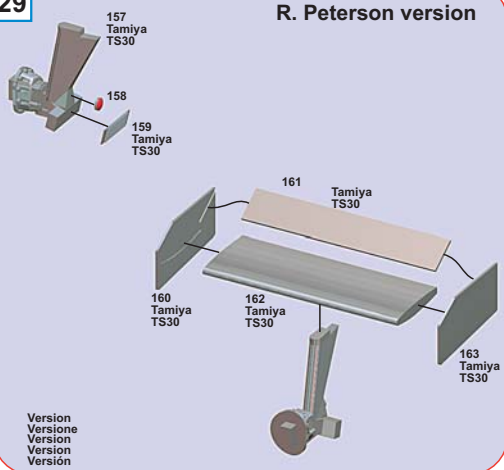


28



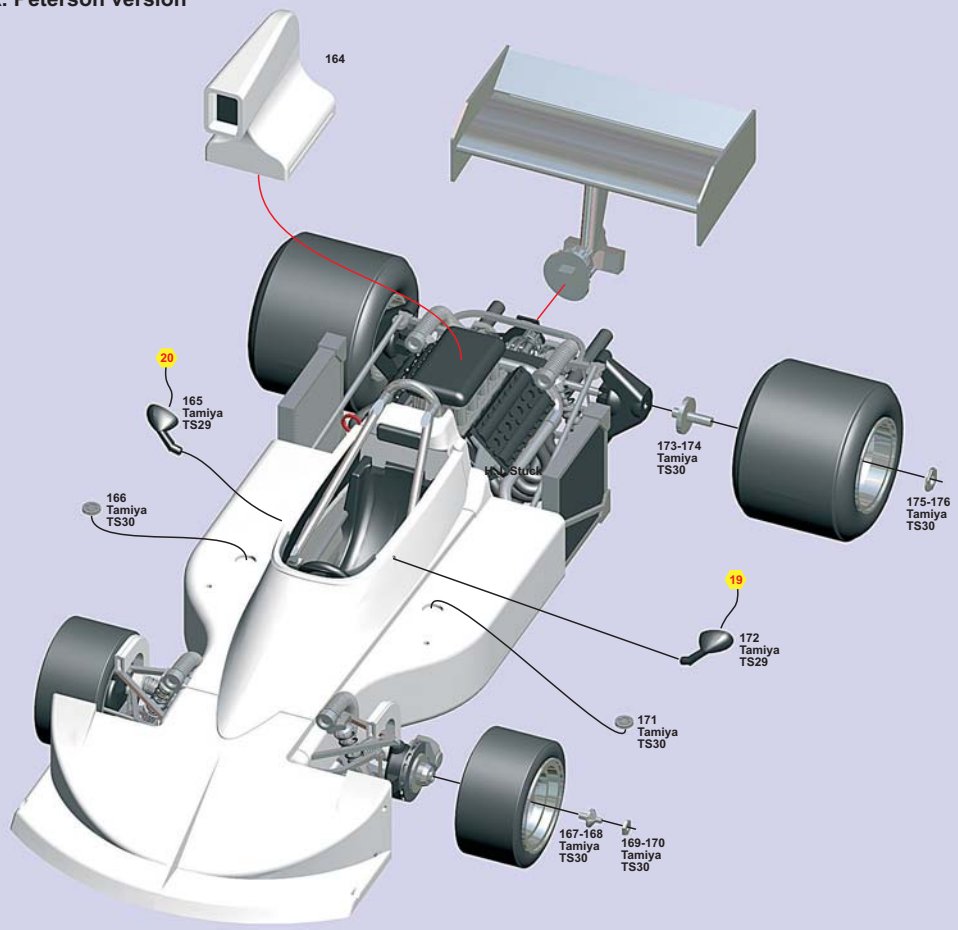
29

R. Peterson version

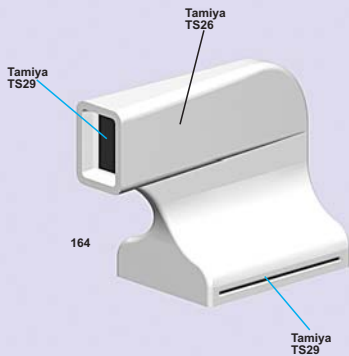


30

R. Peterson version

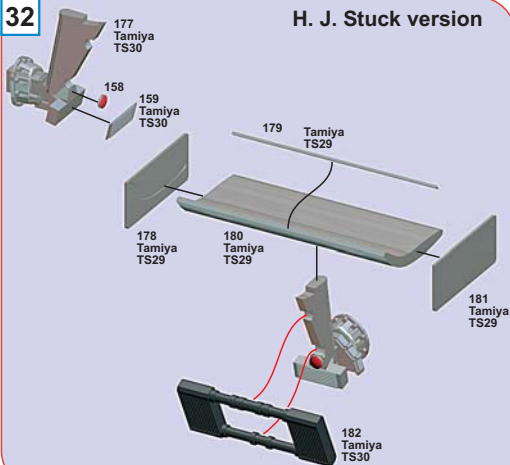


31

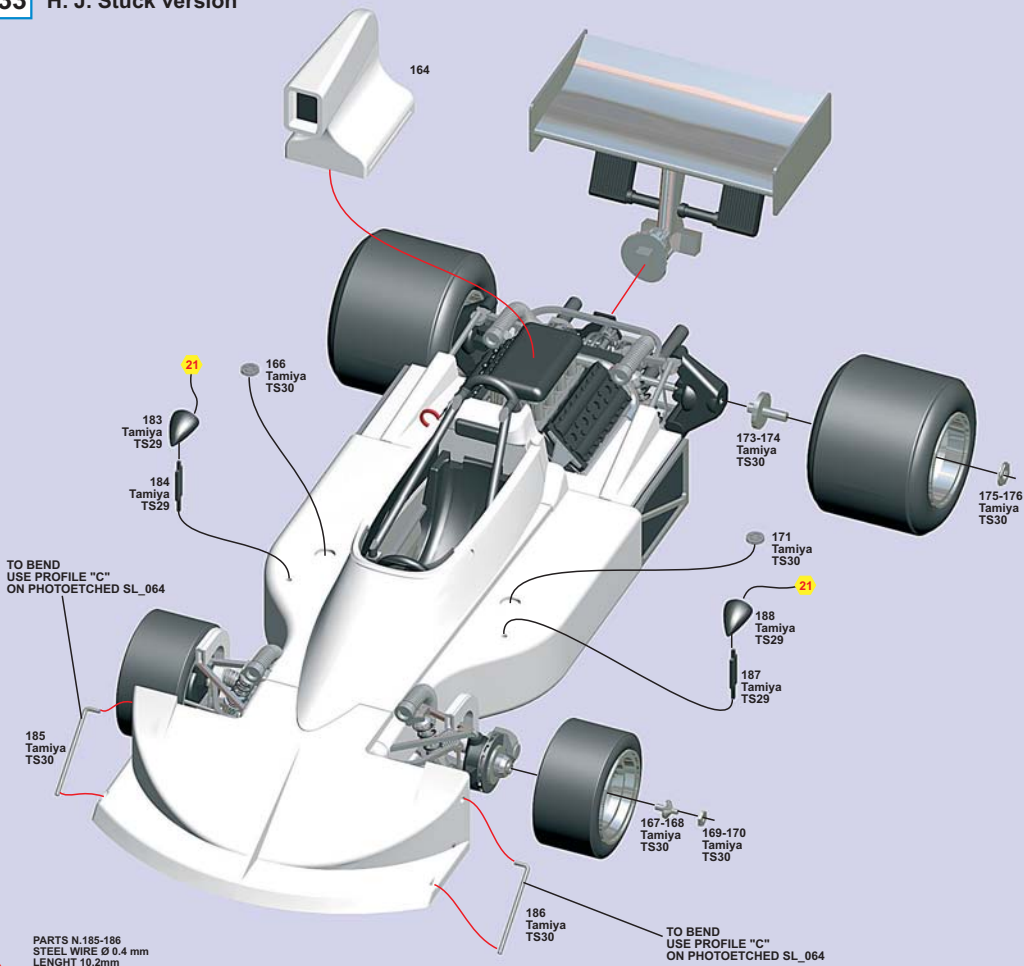


32

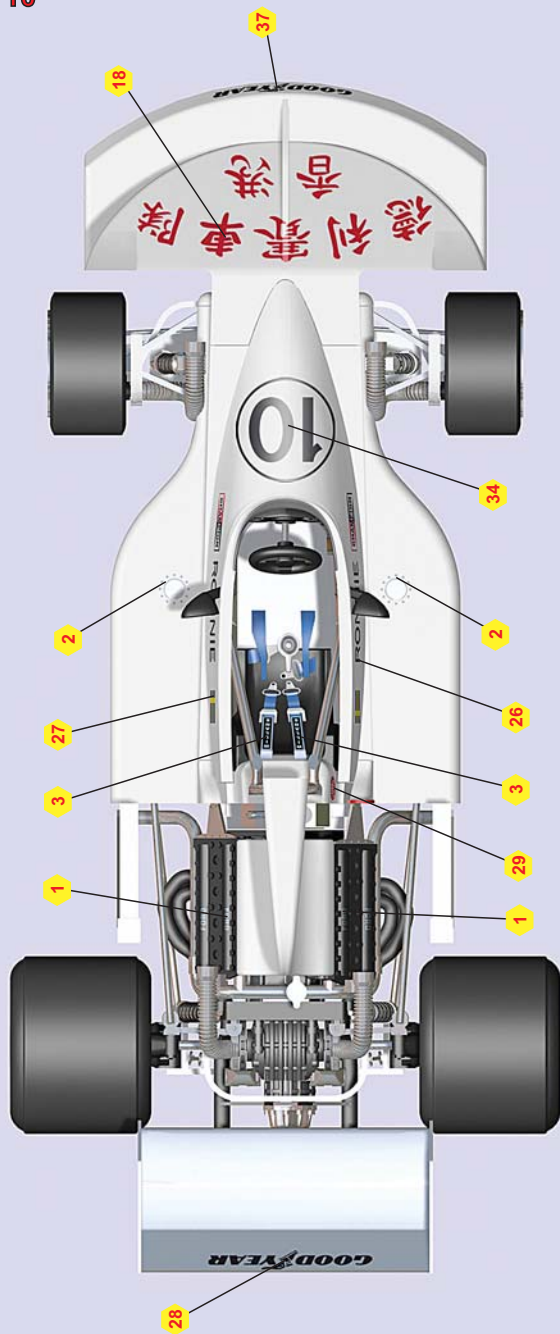
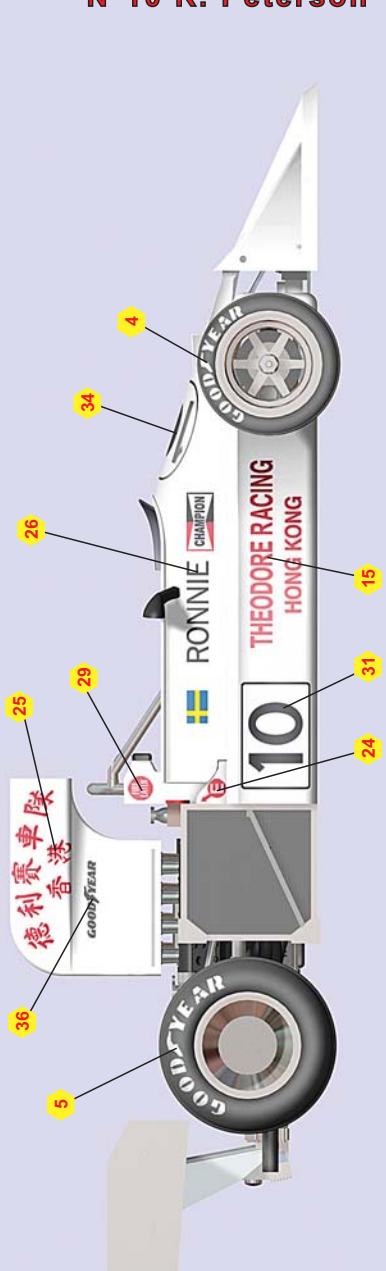
H. J. Stuck version



33 H. J. Stuck version



SLK060 MARCH FORD 761 USA West G.P. 1976
N°10 R. Peterson 10th



SLK060 MARCH FORD 761 USA West G.P. 1976
N°34 H.J. Stuck Ret.

