

SilverLine
distributed by Tameo Kits

SLK075

VODAFONE McLAREN MERCEDES

MP4-25 2010

2010 CHINESE GP Winner Jenson Button

Manufactured under licence from McLaren Racing Limited.
McLaren and the McLaren logos are trademarks of McLaren Racing Limited.

SilverLine distributed by Tameo Kits

Via Valle, 111 - P.O. Box 61
17022 BORGIO VEREZZI - SV - ITALY
Tel. 39 019 - 615.250 - Fax. 39 019 - 615.310

Made in Italy. Modello per collezionisti in scala 1/43. Vietata la vendita ai minori di 14 anni. Nocivo per ingestione. Conservare fuori dalla portata dei bambini.

Made in Italy. Collector 1/43 Scale Models. Not for sale to persons under 14 years of age. Dangerous if swallowed. Keep out of reach of children.

Made in Italy. Modèle pour collectionneurs échelle 1/43. Vente interdite aux enfants de moins de 14 ans. Dangereux si avalé. Conservé hors de la portée des enfants.

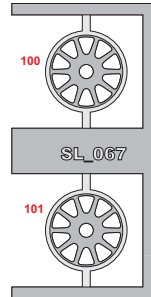
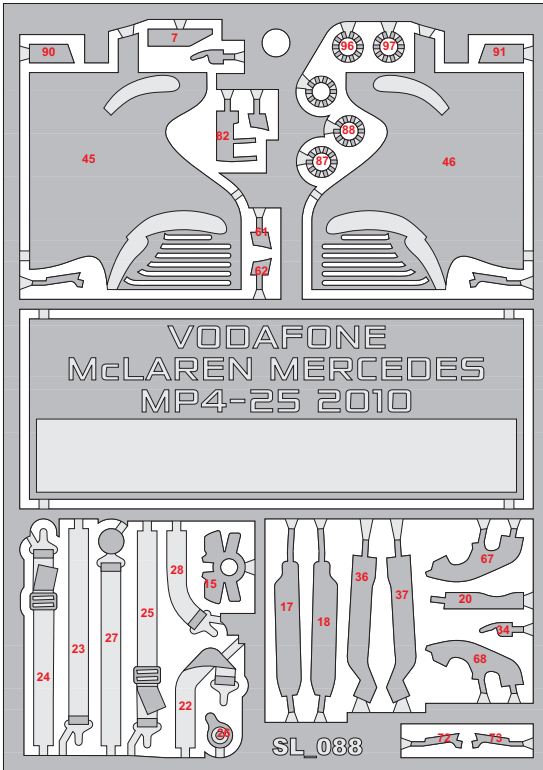
Tameo Kits not held responsible for any damage or injury resulting from improper use of the product.

Tameo Kits decline toute responsabilité dans le cas de dommages dérivants de l'usage non approprié du produit.

Made in Italy. Sammlermodell in Massstab 1/43. Verkauf an Jugendliche unter 14 Jahren verboten. Schädlich bei Verschlucken.

Tameo Kits lehnt jede Verantwortung bei unsachgemässer Benützung des Produktes ab. Hécho en Italia. Colección de modelos a escala 1/43. Prohibida la venta a menores de 14 años. No comestible. Mantener fuera del alcance de los niños. Tameo Kits no se hace responsable de los daños causados por el uso incorrecto de este producto.

Web Site: www.tameokits.com E-mail: sales@tameokits.com E-mail: technical@tameokits.com



BODY COLOR

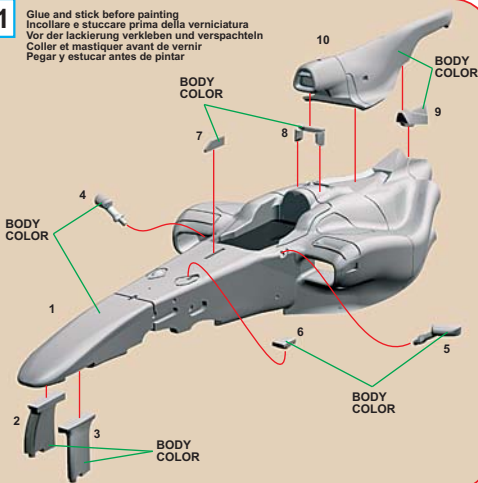
body color
couleur scocca
wagenfarbe
couleur de la carrosserie
color de la carrozeria

1 Paint in Black Tamiya TS14
Verniciare in Black Tamiya TS14
Firnissen im Black Tamiya TS14
Vernir en Black Tamiya TS14
Pintar Black Tamiya TS14

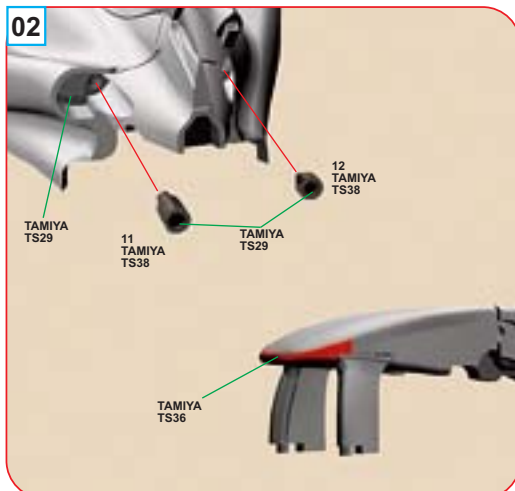
2 Paint in Bare Metal Silver Tamiya AS12
Verniciare in Bare Metal Silver Tamiya AS12
Firnissen im Bare Metal Silver Tamiya AS12
Vernir en Bare Metal Silver Tamiya AS12
Pintar Bare Metal Silver Tamiya AS12

01

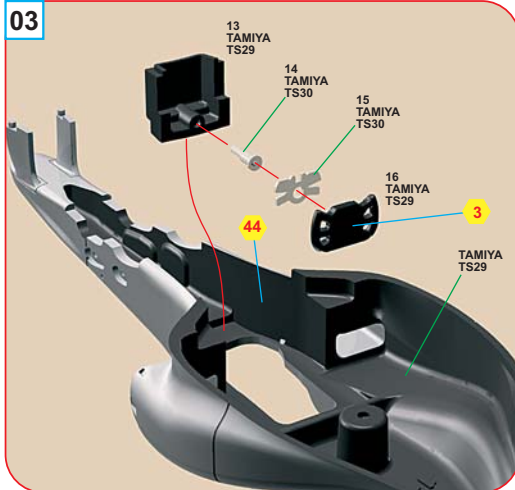
Glue and stick before painting
Incollare e stuccare prima della verniciatura
Vor der lackierung verkleben und verspachteln
Coller et mastiquer avant de vernir
Pegar y estucar antes de pintar



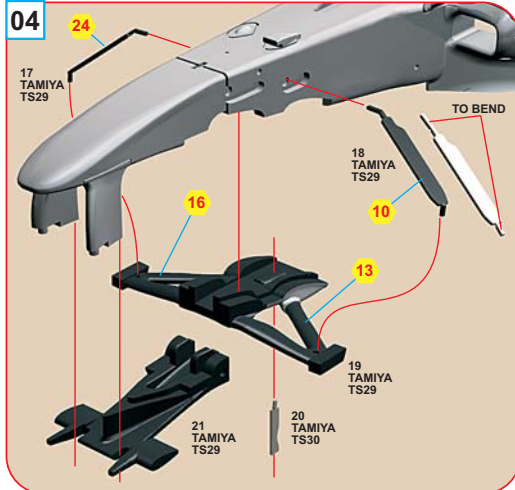
02



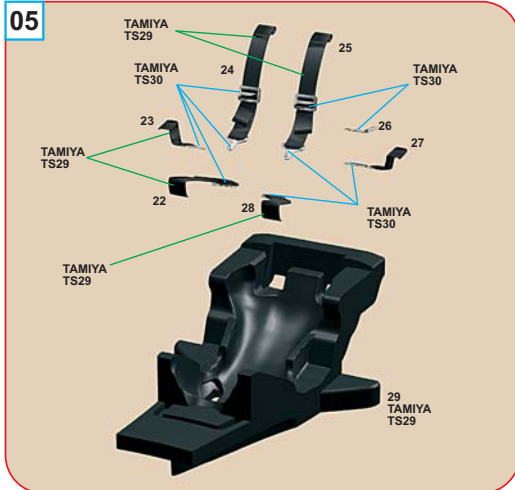
03



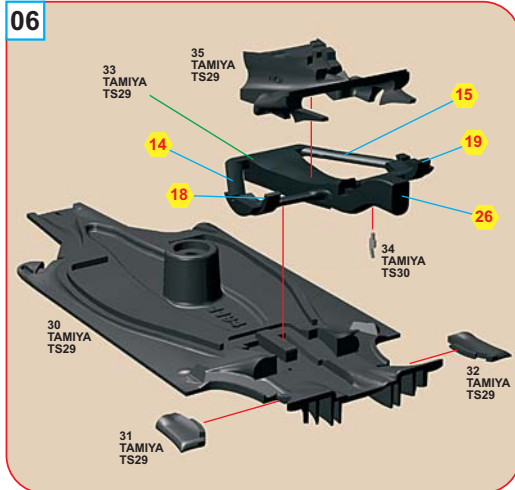
04



05

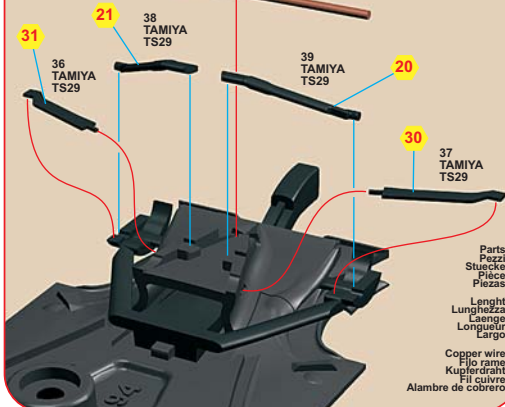


06

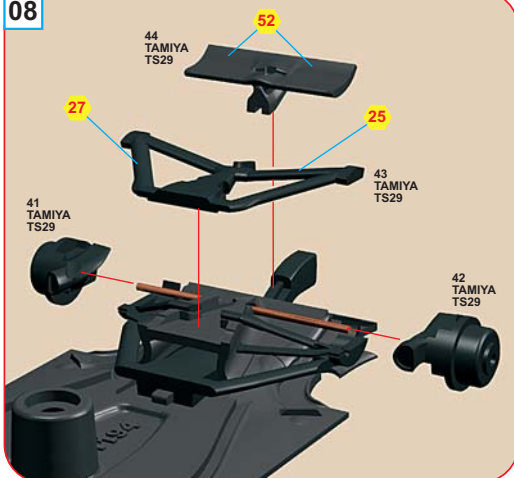


07

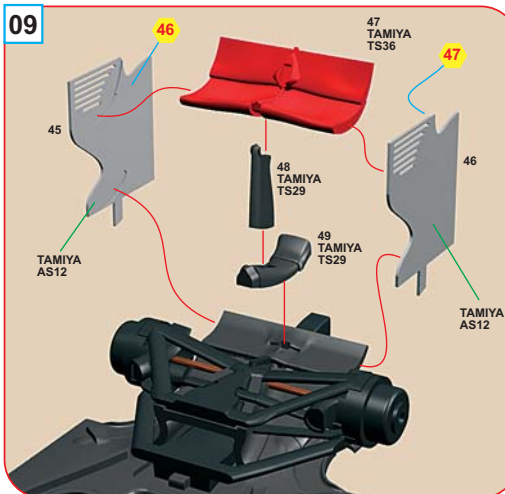
40 NO PAINT
PARTS N. 40
COPPER WIRE DIAM. 0,8 mm
LENGHT 25 mm



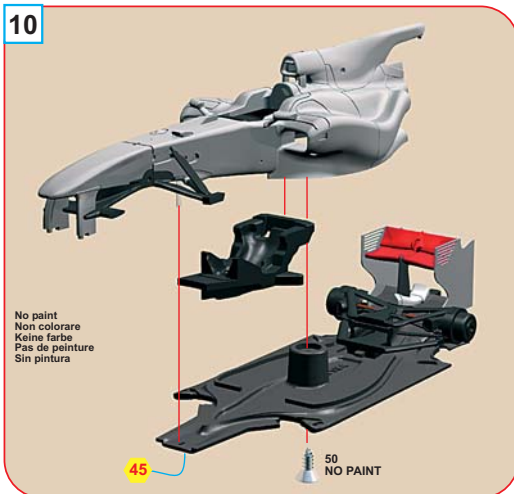
08



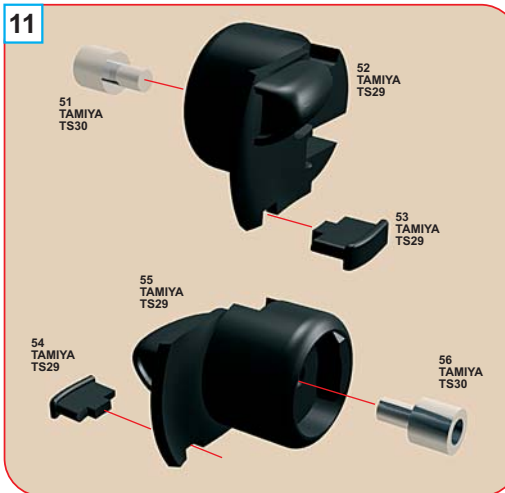
09



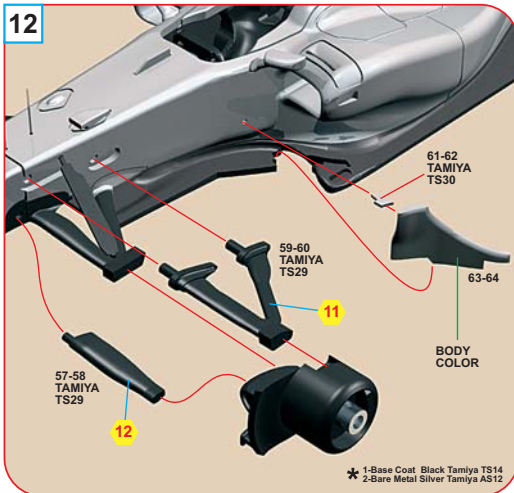
10



11

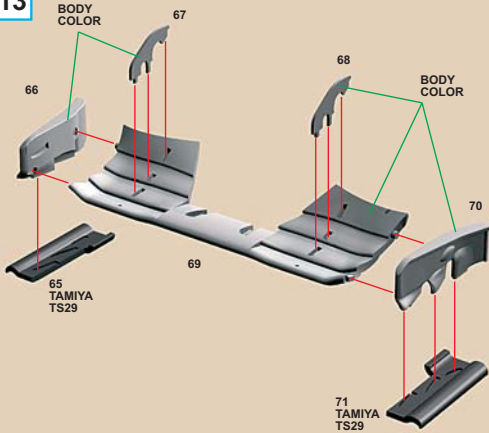


12



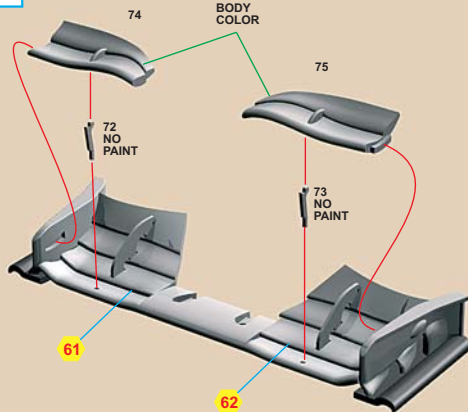
* 1-Base Coat Black Tamiya TS14
2-Bare Metal Silver Tamiya AS12

13



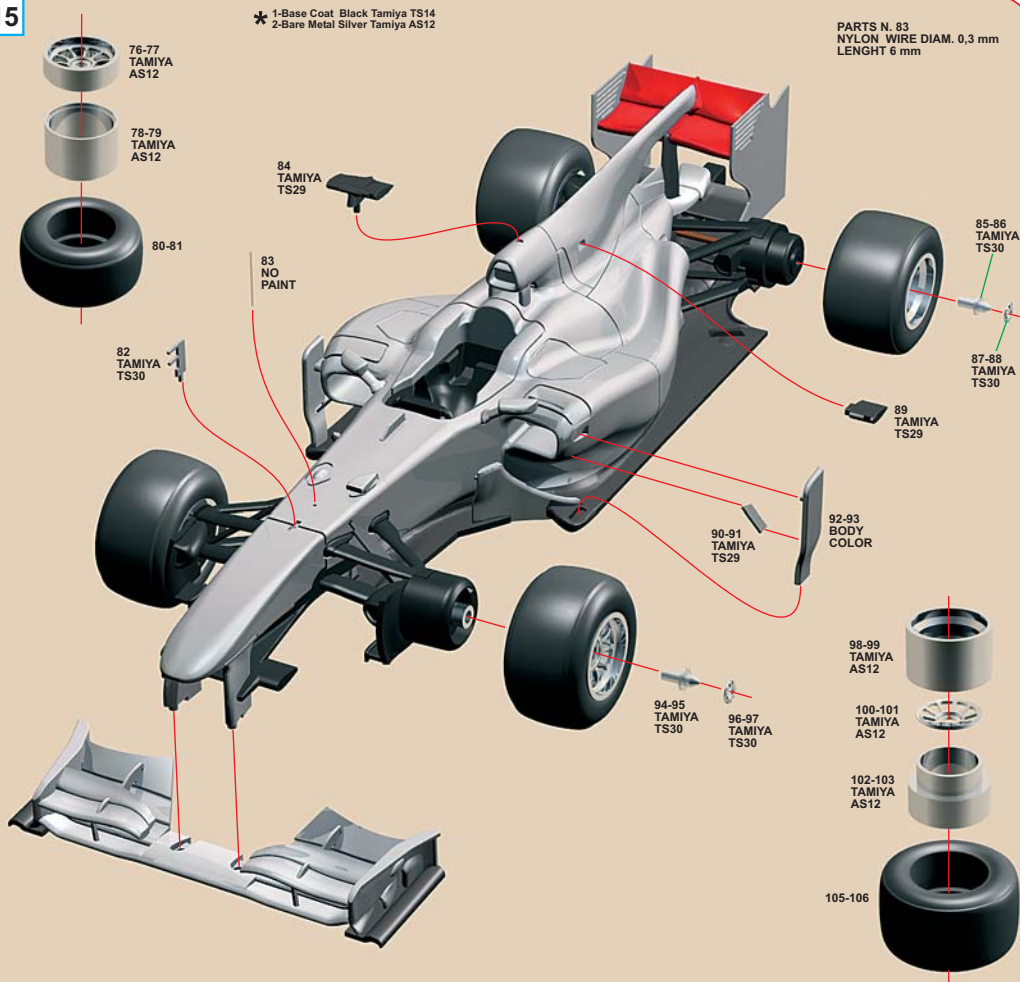
* 1-Base Coat Black Tamiya TS14
2-Bare Metal Silver Tamiya AS12

14



* 1-Base Coat Black Tamiya TS14
2-Bare Metal Silver Tamiya AS12

15



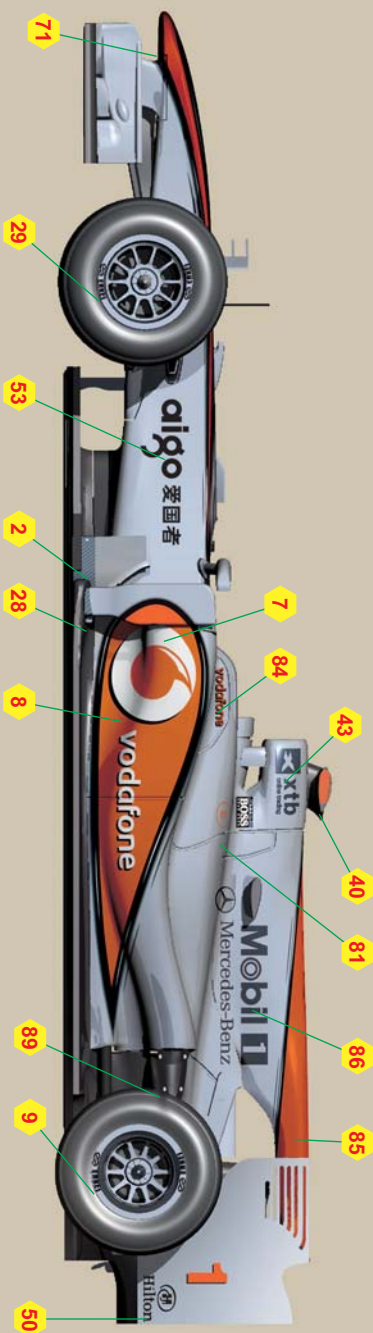
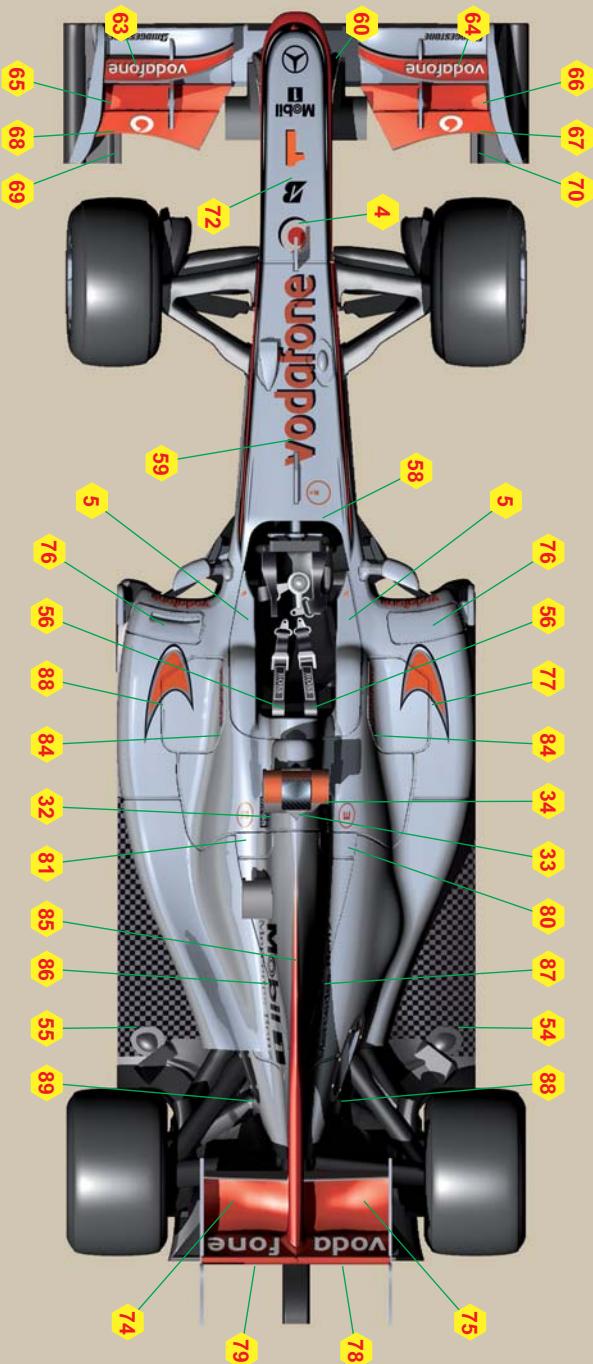
* 1-Base Coat Black Tamiya TS14
2-Bare Metal Silver Tamiya AS12

PARTS N. 83
NYLON WIRE DIAM. 0,3 mm
LENGHT 6 mm

SLK075 VODAFONE McLAREN MERCEDES MP4-25 2010 2010 Chinese G.P.

N° 1 - Jenson Button - WINNER

N° 2 - Lewis Hamilton - 2nd



SLK075 VODAFONE McLAREN MERCEDES MP4-25 2010
2010 Chinese G.P.





