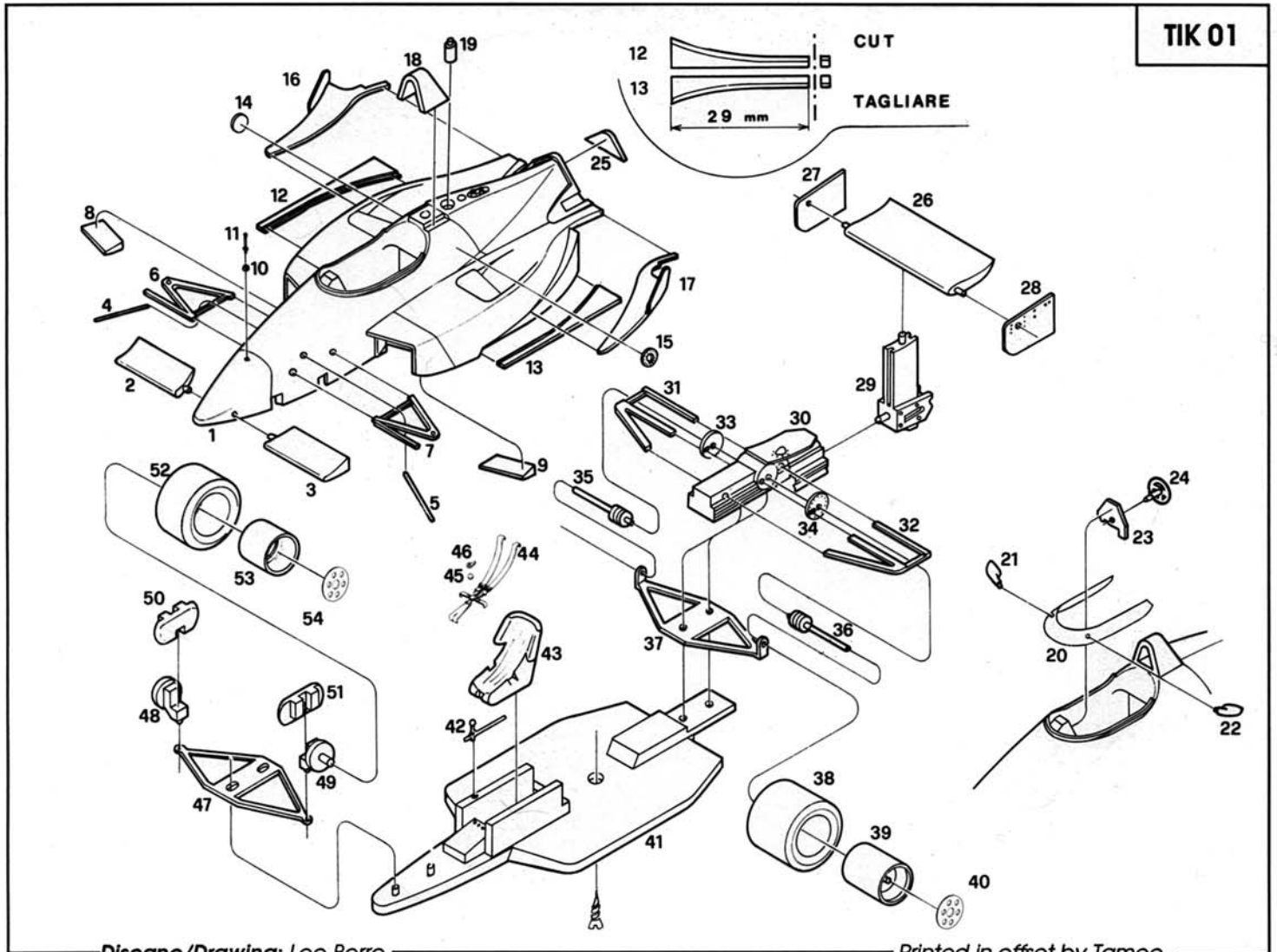
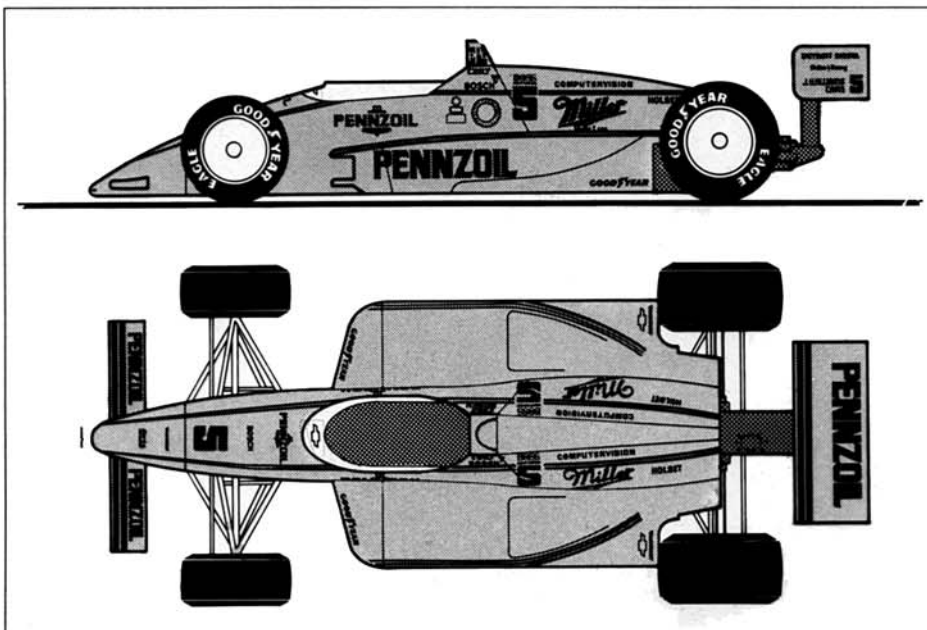


TIK 01



Disegno/Drawing: Leo Borro

Printed in offset by Tameo



Prototipo: Luca Tameo
Fusione: Tameo Gang
Decals: Cartograf
Assist: RUN DMC

N° 5 RICK MEARS

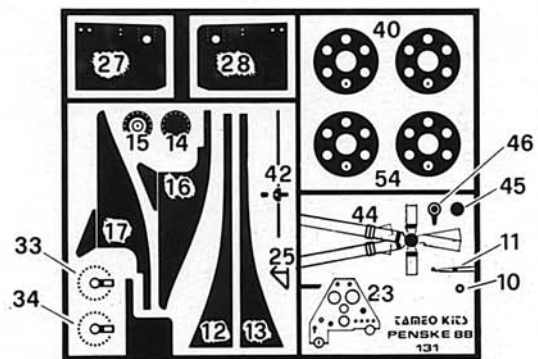
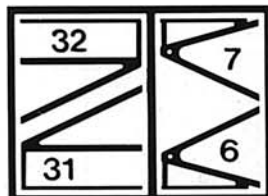
Tameo Kits would like to thank Mr. Jim Stanton, Wyn Edwards, Bob Brockington, Ed Roberts, George Webster, Grant Newlands, George Maxwell and Photo 4 for the fantastic cooperation.

1	Carrozzeria Interno abitacolo Pannello porta strumenti Valvola Pop-Off	Body Cockpit interior Dash instruments panel Pop-Off valve	Giallo/Yellow Nero Opaco/Matt Black Nero Opaco/Matt Black Alluminio/Aluminium	27-28	Lateral alettone posteriore (Incollare e stuccare prima della verniciatura)	Rear wing end plates (glue and stick before the painting)	Giallo/Yellow
2-3	Aletroni anteriori alta velocità (Incollare prima di verniciare)	Speedway front wings (glue before the painting)	Giallo/Yellow	29	Supporto alettone posteriore	Rear wing support	Nero Opaco/Matt Black
4-5	Puntoni ammortizzatori anteriori	Front push rods	Metallo Cromato/ Crome Silver	30	Scatola cambio Piastra superiore	Gear box Upper gear box plate	Metallico/Gun Metal Acciaio/Steel
6-7	Sospensioni anteriori superiori Tiranti sterzo	Front upper suspensions Steering rods	Metallo Cromato/ Crome Silver Crome Silver	31-32	Sospensioni posteriori superiori	Rear upper suspensions	Metallo Cromato/ Crome Silver
8-9	Pannelli fiancate (Incollare prima della verniciatura)	Sidepods panel (glue before the painting)	Giallo/Yellow	33-34	Flange attacco semiasse Bulloni	Drive shafts gearbox support Points	Nero Satinato/Satin Black Argento/Silver
10-11	Antenna radio	Pit-to-car radio aerial	Acciaio/Polished Steel	35-36	Semiasse	Drive shafts	Acciaio/Steel
12-13	Piastre laterali fiancate	Underwings	Nero Satinato/Satin Black	37	Sospensione posteriore inferiore	Rear lower suspension	Nero Satinato/Satin Black
14-15	Bocchettoni serbatoio	Refuelling inlet valves	Argento/Silver	38x2	Pneumatici posteriori	Rear tyres	Argento/Silver
16-17	Flap fiancate per alta velocità (Incollare e stuccare prima della verniciatura)	Left and right speedway winglets (glue and stick before the painting)	Giallo/Yellow	39x2	Cerchi posteriori	Rear wheels	Metallo Cromato/ Crome Silver
18	Rollbar (Incollare prima della verniciatura)	Rollhoop (glue before the painting)	Giallo/Yellow	40x2	Padelloni ruote	Wheel covers	Metallo Cromato/ Crome Silver
19	Sfiato serbatoio carburante	Refuelling air vent	Alluminio/Aluminium	41	Pavimento Monoscocca	Chassis floor Monocoque	Nero Satinato/Satin Black Alluminio/Aluminium
20	Vetrino	Windscreen		42	Leva del cambio	Gear lever	Argento/Silver
21-22	Specchietti	Rear view mirrors	Giallo/Yellow	43	Sedile	Seat	Nero Opaco/Matt Black
23	Strumentazione	Instruments	Nero Opaco/Matt Black	44	Cintura di sicurezza	Seatbelt	Rosso Opaco/Matt Red
24	Volante	Steering wheel	Nero Opaco/Matt Black	45-46	Attacchi cinture	Seatbelt bonnets	Argento/Silver
25	Uscita tubi di scarico	End plates exhaust pipes	Metallico/Gun Metal	47	Sospensione anteriore inferiore	Front lower suspension	Metallo Cromato/ Crome Silver
26	Alettone posteriore per alta velocità	Speedway rear wing	Giallo/Yellow	48-49	Portamozi anteriori	Front hubs	Nero Satinato/Satin Black
				50-51	Prese aria freni anteriori	Front brake ducts	Nero Satinato/Satin Black
				52x2	Pneumatici anteriori	Front tyres	Argento/Silver
				53x2	Cerchi anteriori	Front wheels	Metallo Cromato/ Crome Silver
				54x2	Padelloni ruote	Wheel covers	Metallo Cromato/ Crome Silver

CONVERSIONE COLORI/COLOURS CONVERSION

Giallo/Yellow	Tameo VS5001 - Humbrol N° 69 - Duplicolor Fiat 272
Nero Satinato/Satin Black	Tameo VS6002 - Humbrol N° 85 - Duplicolor Fiat 77-51
Nero Opaco/Matt Black	Humbrol N° 33
Alluminio/Aluminium	Tameo VS9301 - Humbrol N° 56 - Duplicolor Fiat 690
Argento/Silver	Tameo VS9302 - Humbrol N° 11 - Duplicolor Fiat 620
Metallo Cromato/Crome Silver	Tameo VS9304 - Humbrol Polished Aluminium
Metallico/Gun Metal	Humbrol N° 53
Acciaio/Steel	Humbrol Polished Steel
Rosso Opaco/Matt Red	Humbrol N° 60

Fotoincisioni/Photoetched



TAMEO KITS srl
Via Valle, 111 - P.O. Box 61
17022 BORGIO VEREZZI SV ITALY
Tel. 39 019 - 615.250
Fax. 39 019 - 615.310
www.tameokits.com
sales@tameokits.com
technical@tameokits.com

Made in Italy. Modello per collezionisti in scala 1/43. Vietata la vendita ai minori di 14 anni. Nocivo per ingestione. Conservare fuori dalla portata dei bambini. Tameo Kits declina ogni responsabilità per un uso improprio del prodotto. Made in Italy. Collector 1/43 Scale Models. Not for sale to persons under 14 years of age. Dangerous if swallowed. Keep out of reach of children. Tameo Kits not held responsible for any damage or injury resulting from improper use of the product.

Made in Italy. Modèle pour collectionneurs échelle 1/43. Vente interdite aux enfants de moins de 14 ans. Dangereux si avalé. Conserver hors de la portée des enfants. Tameo Kits décline toute responsabilité dans le cas de dommages dérivants de l'usage non approprié du produit.

Made in Italy. Sammlermodell im Massstab 1/43. Verkauf an Jugendliche unter 14 Jahren verboten. Schädlich bei Verschlucken. Tameo Kits lehnt jede Verantwortung bei unsachgemässer Benutzung des Produktes ab.

Hecho en Italia. Colección de modelos a escala 1/43. Prohibida la venta a menores de 14 años. No comestible. Mantener fuera del alcance de los niños. Tameo Kits no se hace responsable de los daños causados por el uso incorrecto de este producto.

TIK 01

