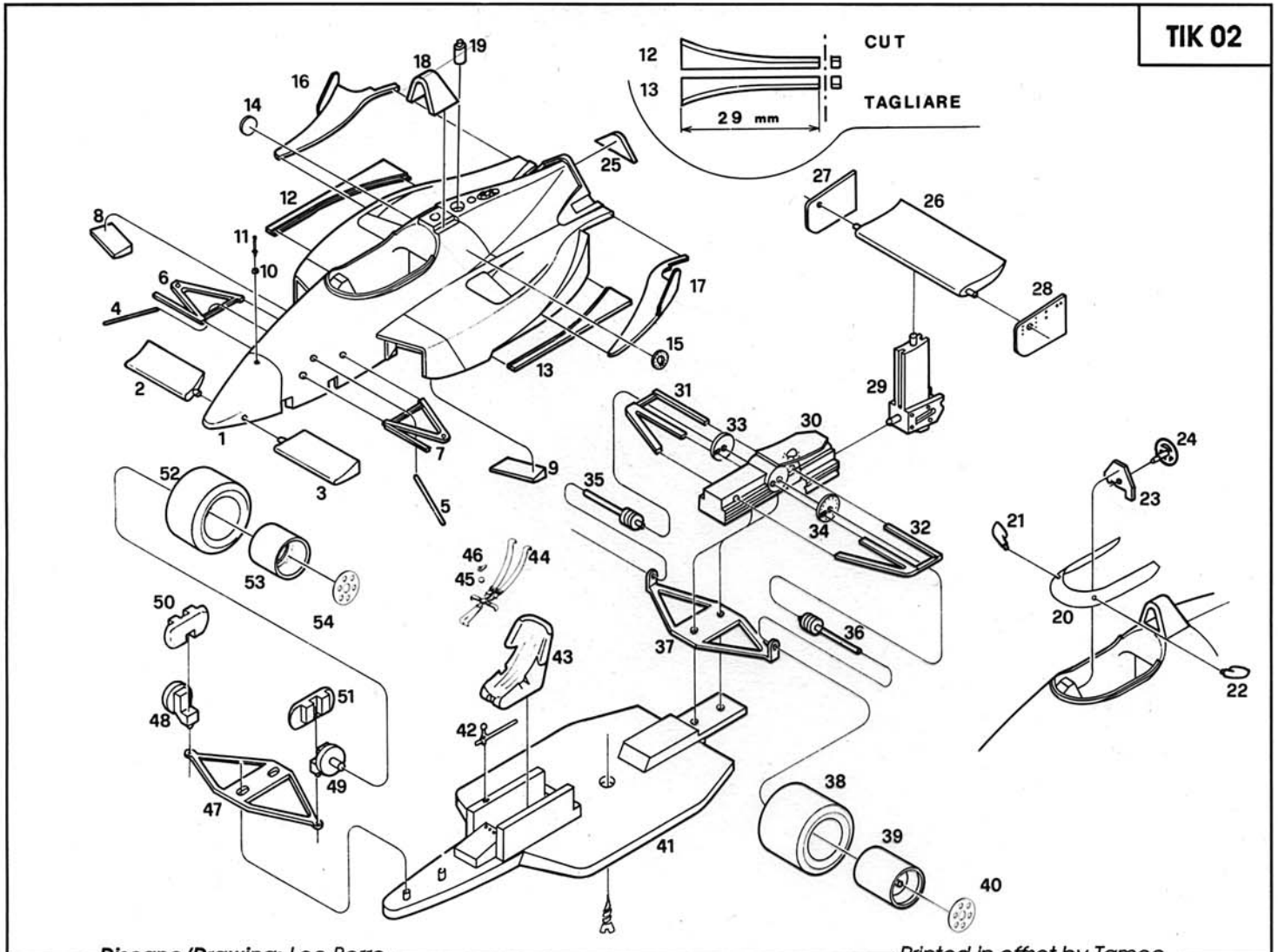
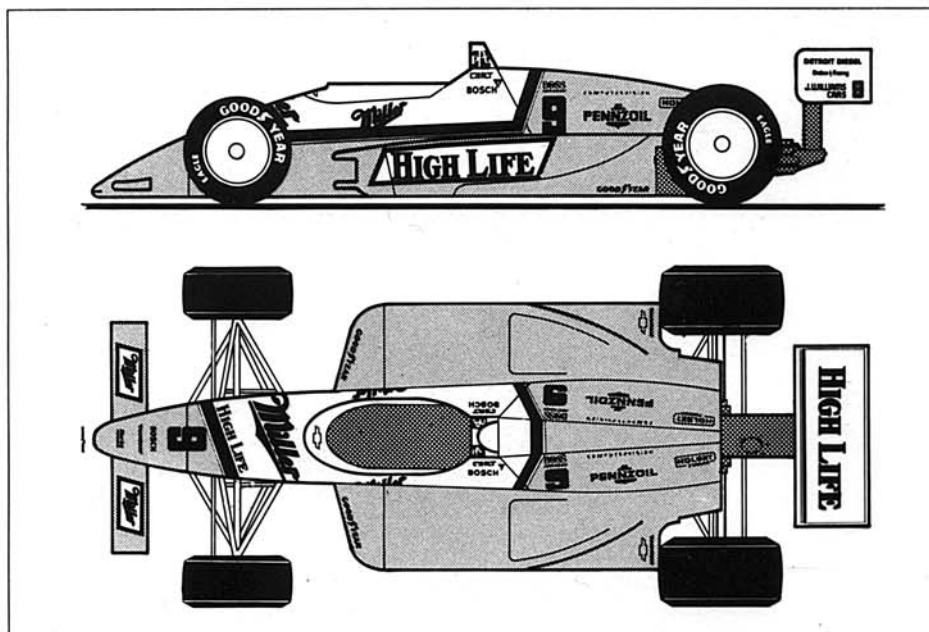


TIK 02



Disegno/Drawing: Leo Borro

Printed in offset by Tameo



Prototipo: Luca Tameo
Fusione: Tameo Gang
Decals: Cartograf
Assist: Sigue Sigue Sputnik

N° 9 DANNY SULLIVAN
Winner Cart 1988

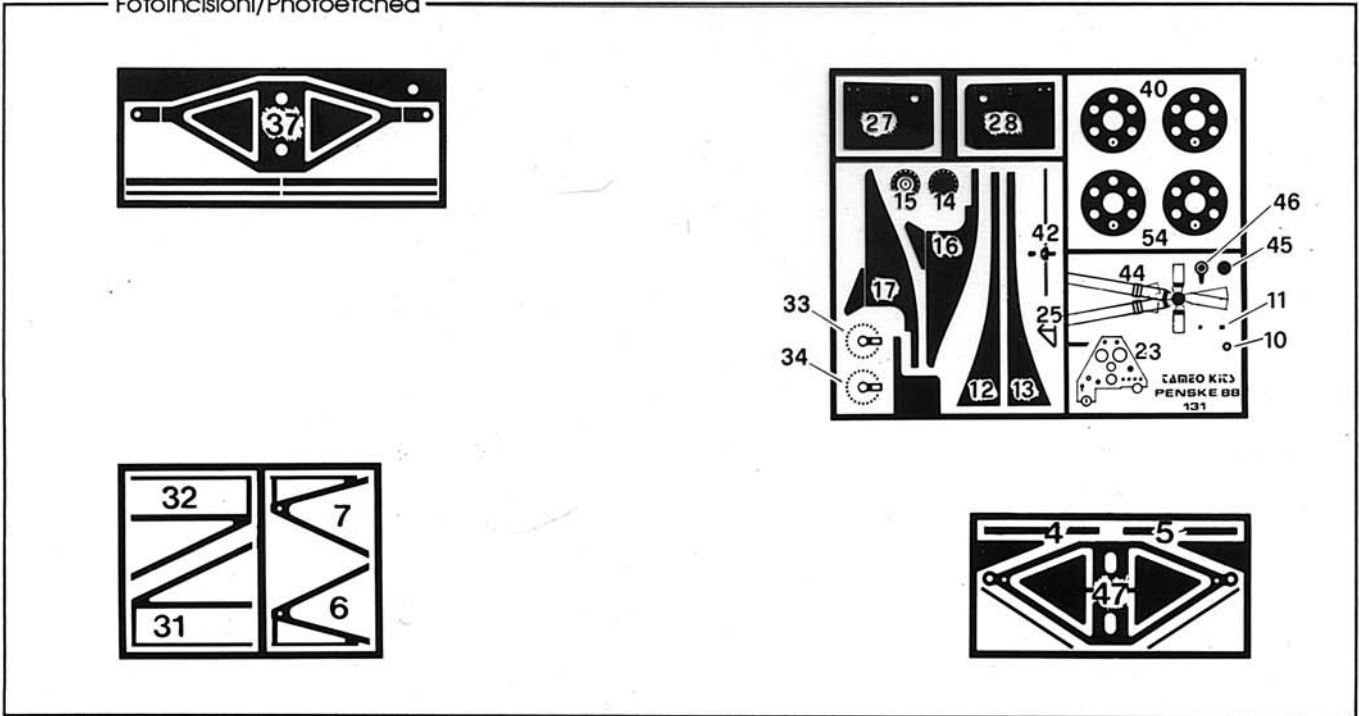
Tameo Kits would like to thank Mr. Jim Stanton, Wyn Edwards, Bob Brockington, Ed Roberts, George Webster, Grant Newlands, George Maxwell and Photo 4 for the fantastic collaboration.

1	Carrozzeria Interno abitacolo Pannello porta strumenti Valvola Pop-Off	Body Cockpit interior Dash Instruments panel Pop-Off valve	Oro/Gold Nero Opaco/Matt Black Nero Opaco/Matt Black Alluminio/Aluminium	27-28	Laterali alettone posteriore (Incollare e stuccare prima della verniciatura)	Rear wing end plates (glue and stick before the painting)	Oro/Gold
2-3	Alettoni anteriori alta velocità (Incollare prima di verniciare)	Speedway front wings (glue before the painting)	Oro/Gold	29	Supporto alettone posteriore	Rear wing support	Nero Opaco/Matt Black
4-5	Puntoni ammortizzatori anteriori	Front push rods	Metallo Cromato/ Crome Silver	30	Scatola cambio Plastra superiore	Gear box Upper gear box plate	Metallico/Gun Metal Acciaio/Steel
6-7	Sospensioni anteriori superiori Tiranti sterzo	Front upper suspensions Steering rods	Metallo Cromato/ Crome Silver Metallo Cromato/ Crome Silver	31-32	Sospensioni posteriori superiori	Rear upper suspensions	Metallo Cromato/ Crome Silver
8-9	Pannelli fiancate (Incollare prima della verniciatura)	Sidepods panel (glue before the painting)	Oro/Gold	33-34	Flange attacco semiasse Bulloni	Drive shafts gearbox support Points	Nero Satinato/Satin Black Argento/Silver Acciaio/Steel
10-11	Antenna radio	Pit-to-car radio aerial	Acciaio/Polished Steel	35-36	Sospensione posteriore inferiore	Drive shafts	Argento/Silver
12-13	Plastre laterali fiancate	Underswings	Nero Satinato/Satin Black	37	Pneumatici posteriori	Rear lower suspension	Nero Satinato/Satin Black
14-15	Bocchettoni serbatoio	Refuelling inlet valves	Argento/Silver	38x2	Cerchi posteriori	Rear tyres	Argento/Silver
16-17	Flap fiancate per alta velocità (Incollare e stuccare prima della verniciatura)	Left and right speedway winglets (glue and stick before the painting)	Oro/Gold	40x2	Padelloni ruote	Rear wheels Wheel covers	Metallo Cromato/ Crome Silver
18	Rollbar (Incollare dopo aver posato le decals)	Rollhoop (put after the decals)	Bianco/White	41	Pavimento Monoscocca	Chassis floor Monocoque	Nero Satinato/Satin Black Alluminio/Aluminium
19	Sfiato serbatoio carburante	Refuelling air vent	Alluminio/Aluminium	42	Leva del cambio	Gear lever	Argento/Silver
20	Vetrino	Windscreen	Bianco/White	43	Sedile	Seat	Nero Opaco/Matt Black
21-22	Specchietti	Rear view mirrors	Bianco/White	44	Cintura di sicurezza	Seatbelt	Rosso Opaco/Matt Red
23	Strumentazione	Instruments	Nero Opaco/Matt Black	45-46	Attacchi cinture	Seatbelt bonnets	Argento/Silver
24	Volante	Steering wheel	Nero Opaco/Matt Black	47	Sospensione anteriore inferiore	Front lower suspension	Metallo Cromato/ Crome Silver
25	Uscita tubi di scarico	End plates exhaust pipes	Metallico/Gun Metal	48-49	Portamozzi anteriori	Front hubs	Nero Satinato/Satin Black
26	Alettone posteriore per alta velocità	Speedway rear wing	Oro/Gold	50-51	Prese aria freni anteriori	Front brake ducts	Nero Satinato/Satin Black
				52x2	Pneumatici anteriori	Front tyres	Argento/Silver
				53x2	Cerchi anteriori	Front wheels	Metallo Cromato/ Crome Silver
				54x2	Padelloni ruote	Wheel covers	Metallo Cromato/ Crome Silver

CONVERSIONE COLORI/COLOURS CONVERSION

Oro/Gold	Tameo VS9303 - Humbrol N° 16
Bianco/White	Tameo VS2001 - Humbrol N° 22 - Duplicolor Fiat 212
Nero Satinato/Satin Black	Tameo VS6002 - Humbrol N° 85 - Duplicolor Fiat 77-51
Nero Opaco/Matt Black	Humbrol N° 33
Alluminio/Aluminium	Tameo VS9301 - Humbrol N° 56 - Duplicolor Fiat 690
Argento/Silver	Tameo VS9302 - Humbrol N° 11 - Duplicolor Fiat 620
Metallo Cromato/Crome Silver	Tameo VS9304 - Humbrol Polished Aluminium
Metallico/Gun Metal	Humbrol N° 53
Acciaio/Steel	Humbrol Polished Steel
Rosso Opaco/Matt Red	Humbrol N° 60

Fotoincisioni/Photoetched



TAMEO KITS srl
 Via Valle, 111 - P.O. Box 61
 17022 BORGIO VEREZZI SV ITALY
 Tel. 39 019 - 615.250
 Fax. 39 019 - 615.310
 www.tameokits.com
 sales@tameokits.com
 technical@tameokits.com

Made in Italy. Modello per collezionisti in scala 1/43. Vietata la vendita ai minori di 14 anni. Nocivo per ingestione. Conservare fuori dalla portata dei bambini. Tameo Kits declina ogni responsabilità per un uso improprio del prodotto.
 Made in Italy. Collector 1/43 Scale Models. Not for sale to persons under 14 years of age. Dangerous if swallowed. Keep out of reach of children. Tameo Kits not held responsible for any damage or injury resulting from improper use of the product.
 Made in Italy. Modèle pour collectionneurs échelle 1/43. Vente interdite aux enfants de moins de 14 ans. Dangereux si avalé. Conserver hors de la portée des enfants. Tameo Kits décline toute responsabilité dans le cas de dommages dérivants de l'usage non approprié du produit.
 Made in Italy. Sammlermodell im Massstab 1/43. Verkauf an Jugendliche unter 14 Jahren verboten. Schädlich bei Verschlucken. Tameo Kits lehnt jede Verantwortung bei unsachgemässer Benutzung des Produktes ab.
 Hecho en Italia. Colección de modelos a escala 1/43. Prohibida la venta a menores de 14 años. No comestible. Mantener fuera del alcance de los niños. Tameo Kits no se hace responsable de los daños causados por el uso incorrecto de este producto.

