

1	Pneumatici anteriori (x 2)	Front tyres (x 2)	25	Cruscotto	Instruments	Metallico/Gun Metal
2	Cerchi anteriori (interno) (x 2)	Front wheels (inner) (x 2)	26	Volante (razze)	Steering wheel (spokes)	Nero Opaco/Matt Black
3	Razze ruote anteriori (x 2)	Front wheels spokes (x 2)	27	Anello estintore	Extinguisher ring	Rosso/Red
4	Cerchi anteriori (esterno) (x 2)	Front wheels (outer) (x 2)	28-29	Puntoni ammortizzatori posteriori	Rear push rods	Nero Satinato/Satin Black
5	Pneumatici posteriori (x 2)	Rear tyres (x 2)	30-31	Sospensioni posteriori superiori	Rear upper suspensions	Nero Satinato/Satin Black
6	Cerchi posteriori (interno) (x 2)	Rear wheels (inner) (x 2)	32	Assale	Axle	Acciaio/Steel
7	Razze ruote posteriori (x 2)	Rear wheels spokes (x 2)	33	Alettone posteriore superiore	Rear upper wing	Blu/Blue
8	Cerchi posteriori (esterno) (x 2)	Rear wheels (outer) (x 2)	34-35	Laterali alettone posteriore	Rear wing end plates	Blu/Blue
9	Alettone anteriore	Front wing	36	Alettone posteriore inferiore	Rear lower wing	Blu/Blue
10-11	Laterali alettone anteriore	Front wing end plates	37	Sospensioni posteriori inferiori	Rear lower suspensions	Nero Satinato/Satin Black
12	Sospensione anteriore inferiore	Front lower suspension	38-39	Prese aria freni posteriori	Rear brake ducts	Nero Satinato/Satin Black
13-14	Prese aria freni anteriori	Front brake ducts	40	Dischi freni posteriori (x 2)	Rear brake disks (x 2)	Metallico/Gun Metal
15	Dischi freni anteriori (x 2)	Front brake disks (x 2)	41	Dadi ruote posteriori (x 2)	Rear wheels nuts (x 2)	Argento/Silver
16	Dadi ruote anteriori (x 2)	Front wheels nuts (x 2)	42	Pavimento	Chassis floor	Nero Satinato/Satin Black
17	Carrozzeria	Body	43	Sedile	Seat	Nero Satinato/Satin Black
	Interno abitacolo	Cockpit interior	44	Cinture di sicurezza	Seatbelts	Blu Opaco/Matt Blue
18-19	Puntoni ammortizzatori anteriori	Front push rods	45-46	Leva cambio	Gear box lever	Argento/Silver
20-21	Sospensioni anteriori superiori	Front upper suspensions		Pomello leva cambio	Gear box lever knob	Legno/Wood
22	Antenna radio	Radio		Derive scivolo	Chassis fences	Nero Satinato/Satin Black
23-24	Specchietti retrovisori	Mirrors				
	Supporti specchietti retrovisori	Mirrors support				

CONVERSIONE COLORI/COLOURS CONVERSION

Blu/Blue	Tameo VS 4005	Fiat 426	Metallico/Gun Metal	Humbrol N° 53
Nero Satinato/Satin Black	Tameo VS 6002	Duplicolor 77-051	Blu Opaco/Matt Blue	Humbrol N° 25
Nero Opaco/Matt Black		Humbrol N° 33	Argento/Silver	Humbrol N° 11
Rosso/Red		Humbrol N° 19	Legno/Wood	Humbrol N° 110

TAMEO Kits srl
Via Valle, 111 - P.O. Box 61
17022 BORGIO VEREZZI SV ITALY
Tel. 39 019 - 615.250
Fax. 39 019 - 615.310

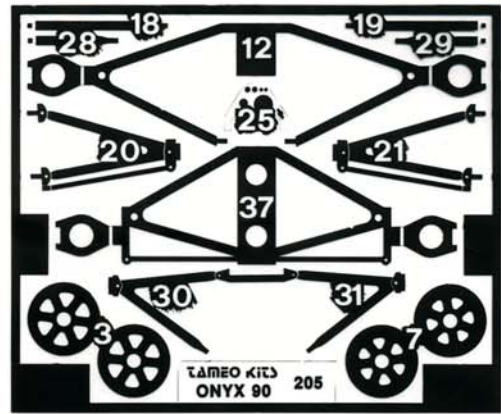
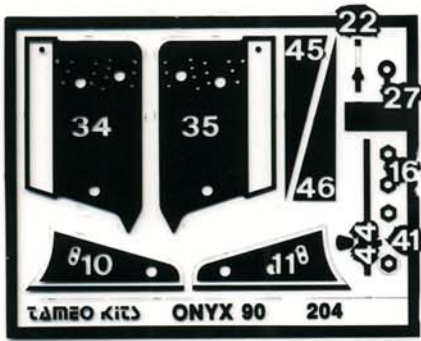
www.tameokits.com
sales@tameokits.com
technical@tameokits.com

Made in Italy. Modello per collezionisti in scala 1/43. Vietata la vendita ai minori di 14 anni. Nocivo per ingestione. Conservare fuori dalla portata dei bambini. Tameo Kits declina ogni responsabilità per un uso improprio del prodotto. Made in Italy. Collector 1/43 Scale Models. Not for sale to persons under 14 years of age. Dangerous if swallowed. Keep out of reach of children. Tameo Kits not held responsible for any damage or injury resulting from improper use of the product.

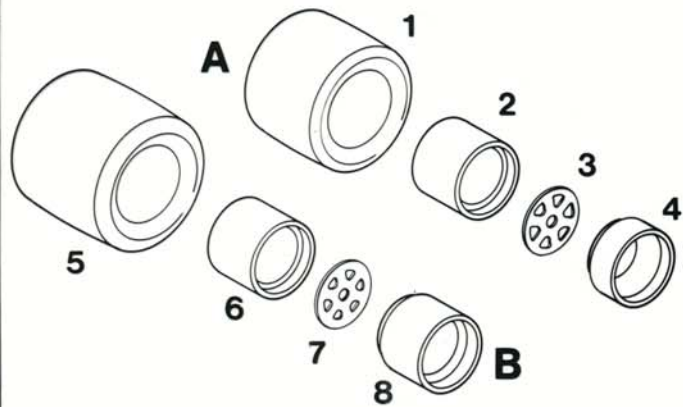
Made in Italy. Modèle pour collectionneurs échelle 1/43. Vente interdite aux enfants de moins de 14 ans. Dangereux si avalé. Conserver hors de la portée des enfants. Tameo Kits décline toute responsabilité dans le cas de dommages dérivants de l'usage non approprié du produit.

Made in Italy. Sammlermodell im Massstab 1/43. Verkauf an Jugendliche unter 14 Jahren verboten. Schädlich bei Verschlucken. Tameo Kits lehnt jede Verantwortung bei unsachgemäßer Benutzung des Produktes ab.

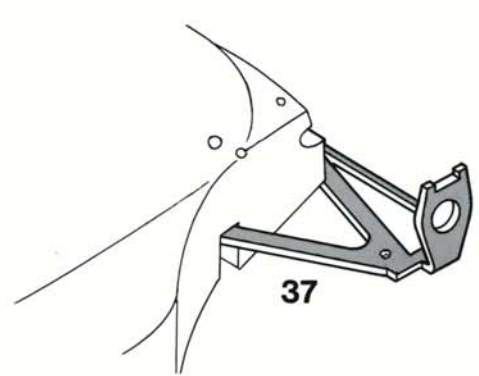
Hecho en Italia. Colección de modelos a escala 1/43. Prohibida la venta a menores de 14 años. No comestible. Mantener fuera del alcance de los niños. Tameo Kits no se hace responsable de los daños causados por el uso incorrecto de este producto.



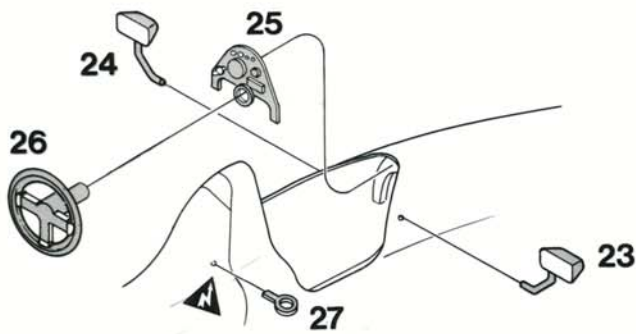
Fotoincisioni/Photoetched



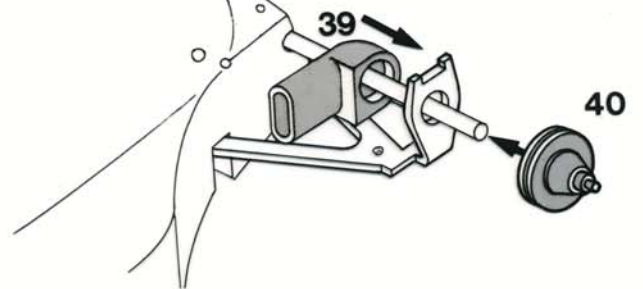
Ruote/Wheels



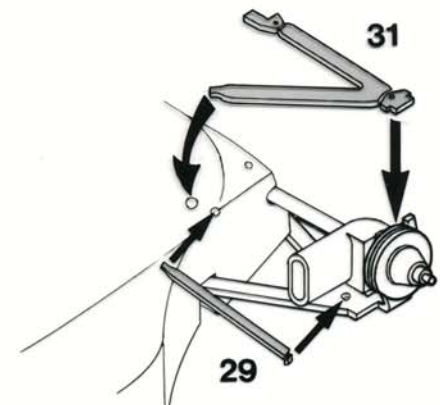
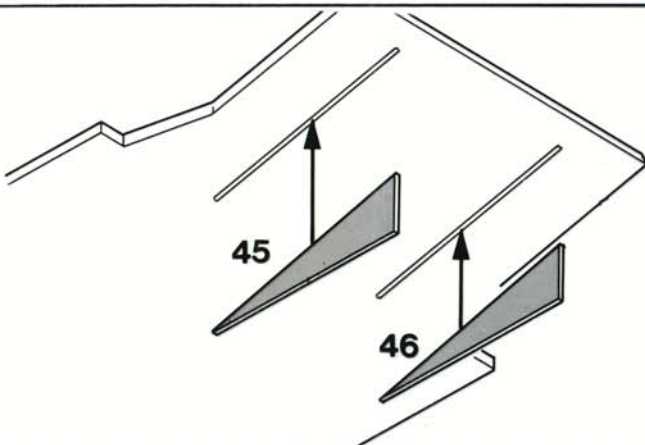
1

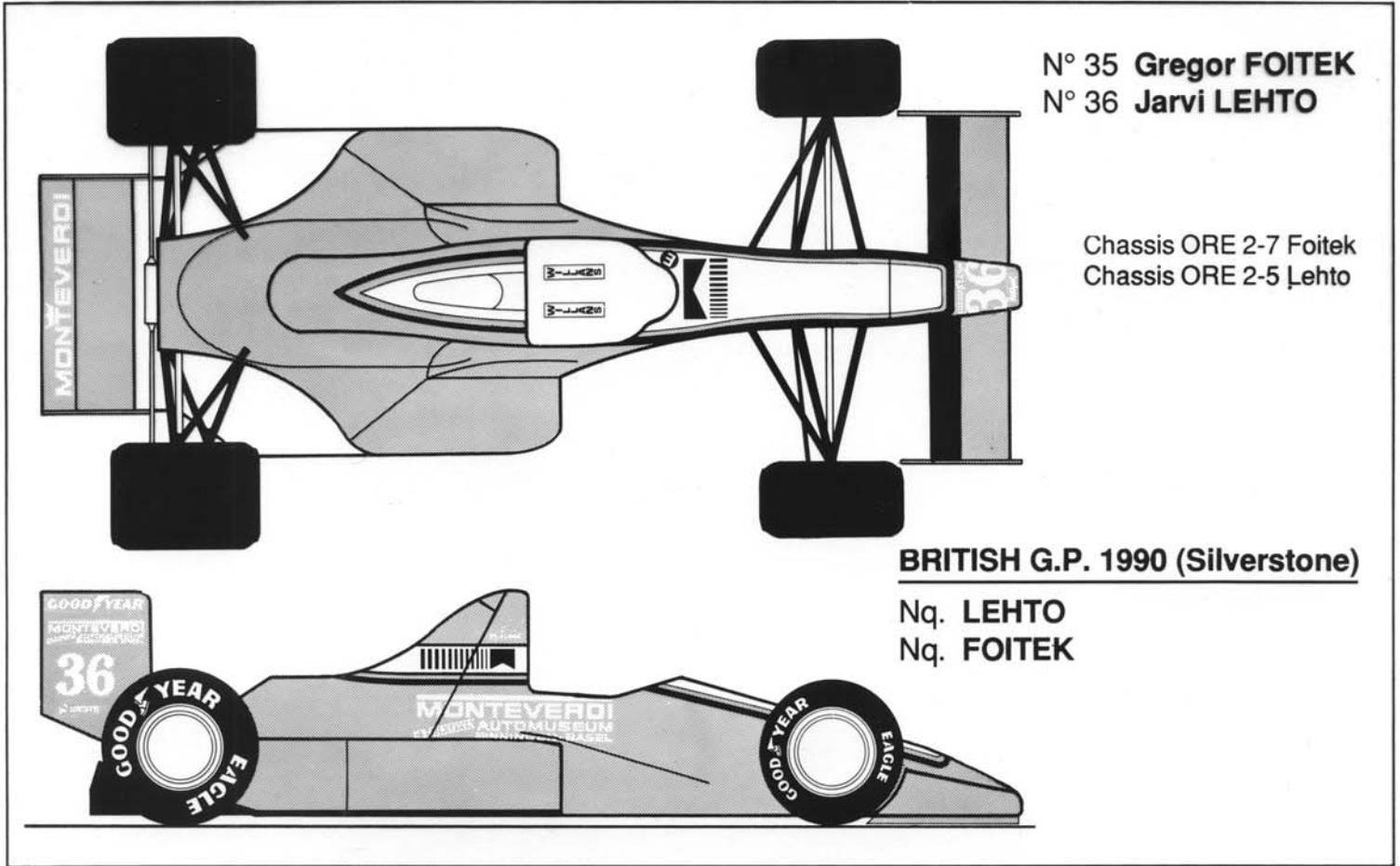


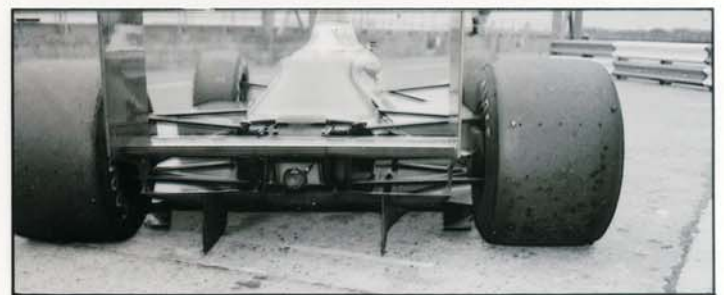
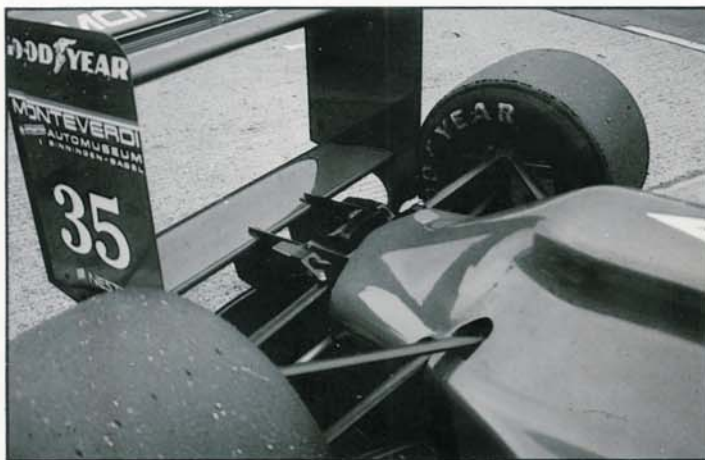
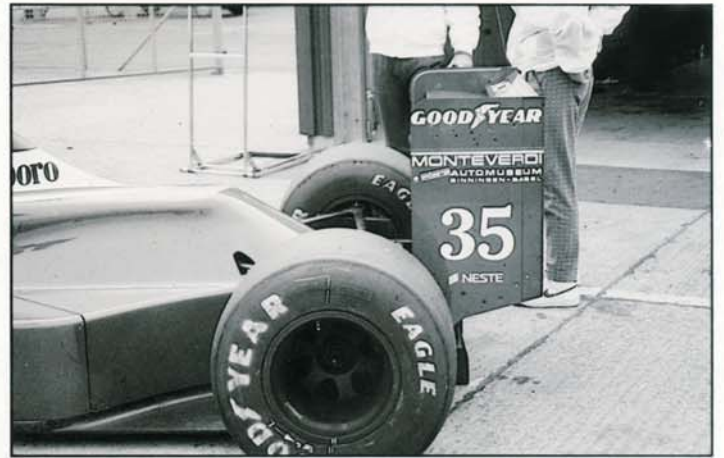
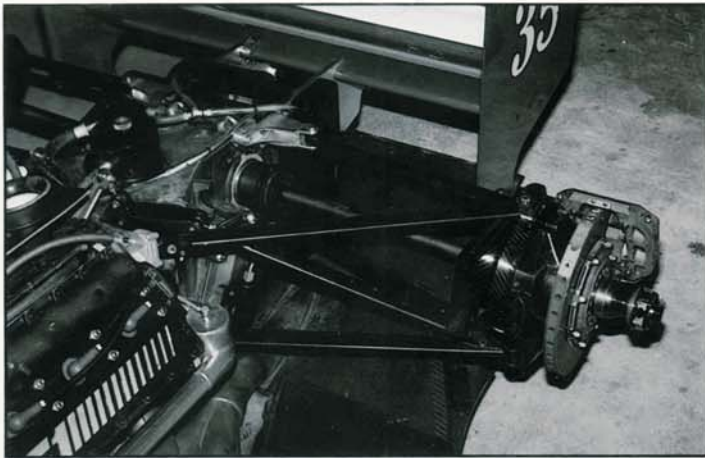
2



3







Photos from Silverstone by Gordon Dawkins and Martin Feldwick