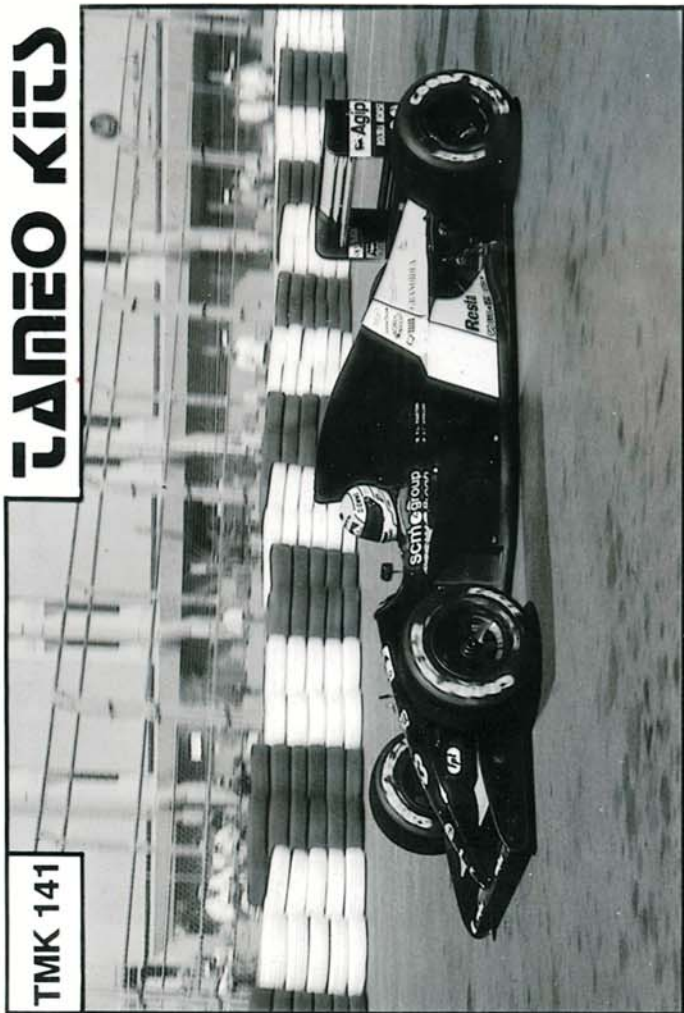


TMK 141



MINARDI M191 U.S.A. G.P. 1991

N° 23 P. L. Martini

N° 24 G. Morbidelli



U.S.A. G.P. 1991 - PHOENIX

9th Pierluigi Martini
Ret. Gianni Morbidelli

Martini
chassis
M 191-3

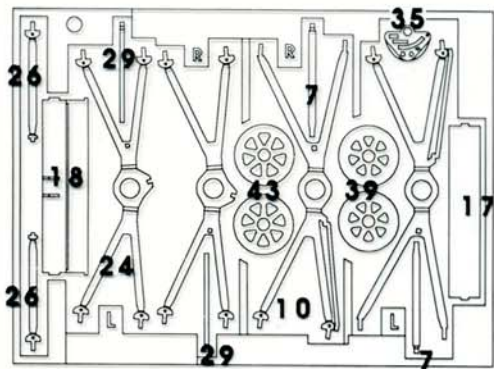
Morbidelli
chassis
M 191-1

Made in Italy. Collector 1/43 Scale Models. Vietata la vendita ai minori di 14 anni. Nocivo per ingestione. Conservare fuori dalla portata dei bambini. Si declina ogni responsabilità per danni derivanti da uso improprio del prodotto.

Made in Italy. Collector 1/43 Scale Models. Not for sale to person under 14 years of age. Dangerous if swallowed. Keep out of the reach of children. Tameo shall not be held responsible for any damage or injury resulting from improper use of the product.

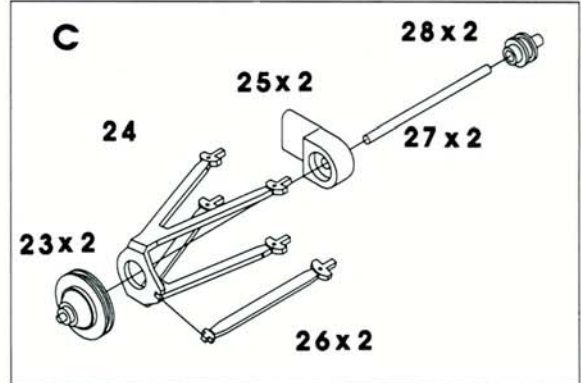
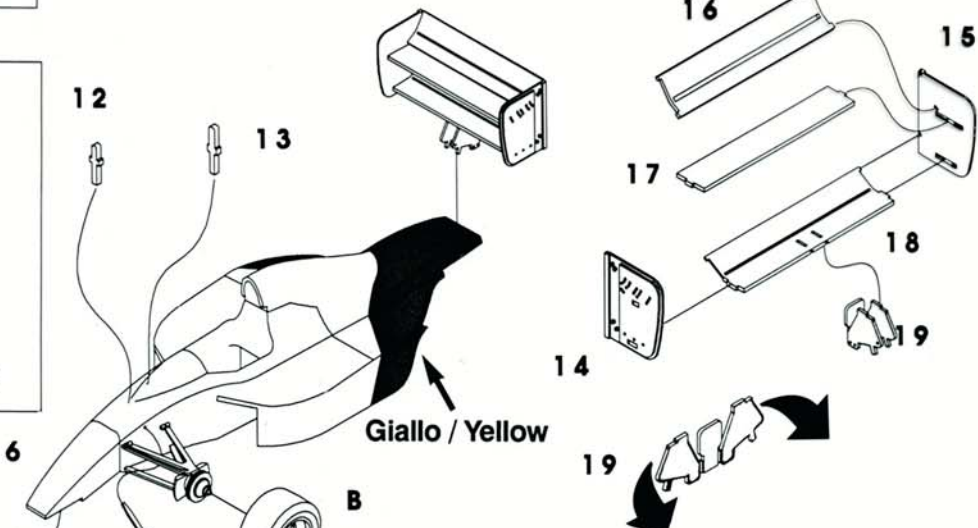
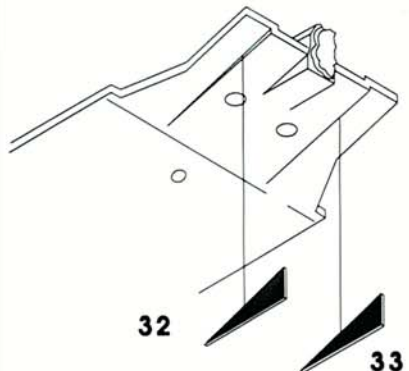
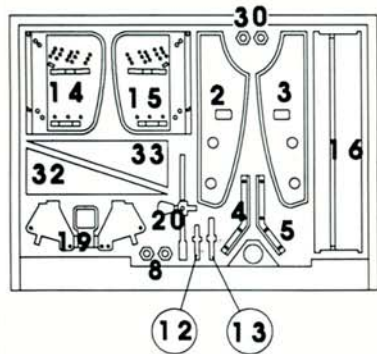
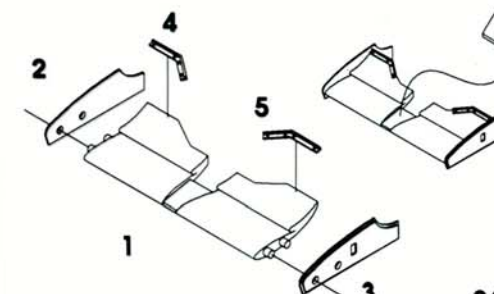
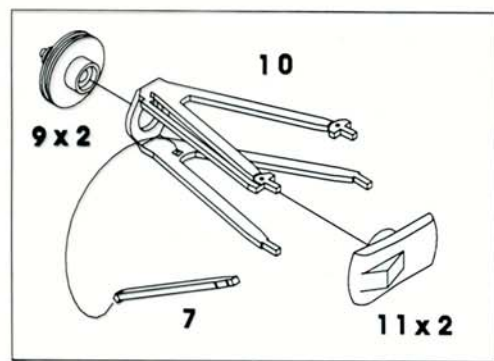
Fabrique en Italie. Collecteur 1/43 Scale Models. Vente interdite aux enfants de moins de 14 ans. Dangereux si avalé. Conservé hors de la portée des enfants. Tameo décline toute responsabilité dans le cas de dommages du préjudices dérivant de l'usage non approprié du produit.

Photos by Photo 4



- | | |
|--------------------------------|-----------------------------------|
| Blu / Blue | 1-6 |
| Giallo / Yellow | 6 |
| Nero Opaco / Matt Black | 2-3-11-13-14-15-16-17-18-19-25-31 |
| | -32-33-34 |
| Argento / Silver | 4-5-12-20-21-28 |
| Metallico / Gun Metal | 22 |

Conversione Colori Blu / Blue Fiat 410
Colours Conversion Giallo / Yellow Fiat 279 - Vauxall Autumn Gold



- | | |
|--------|--------|
| 38 x 2 | 42 x 2 |
| 39 x 2 | 43 x 2 |
| 40 x 2 | 44 x 2 |
| 41 x 2 | 45 x 2 |
| A | B |