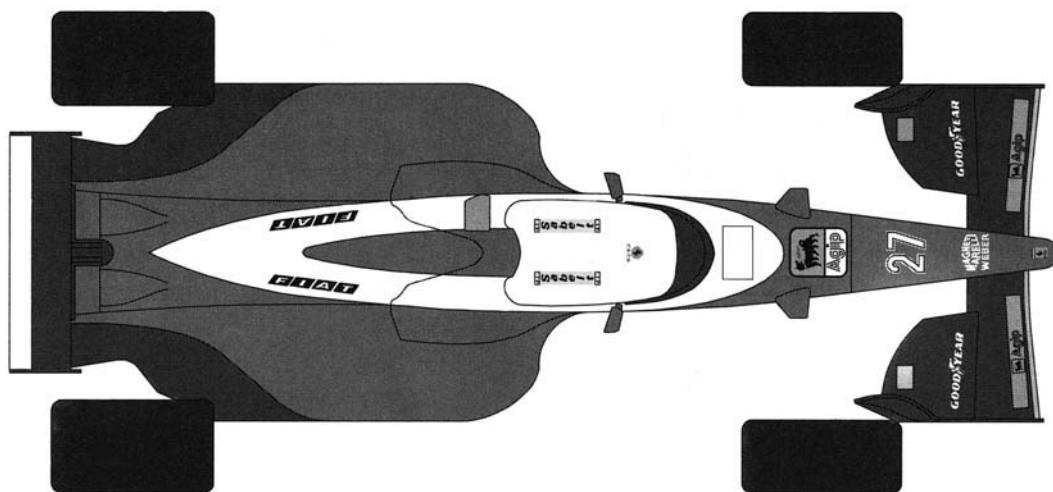
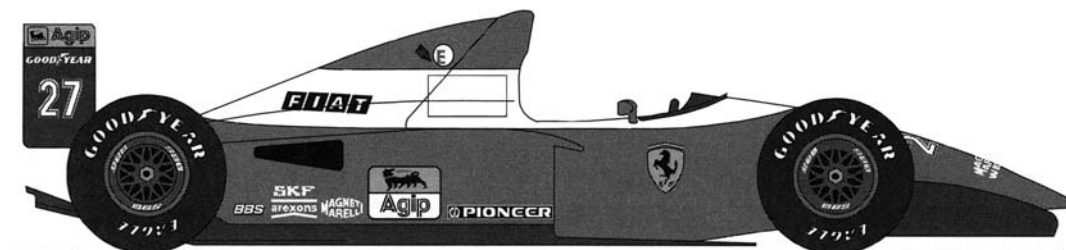


# TMK169

## FERRARI F93A

### ITALIAN G.P. 1993



27 - J. Alesi

2nd



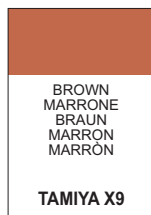
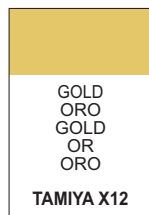
28 - G. Berger

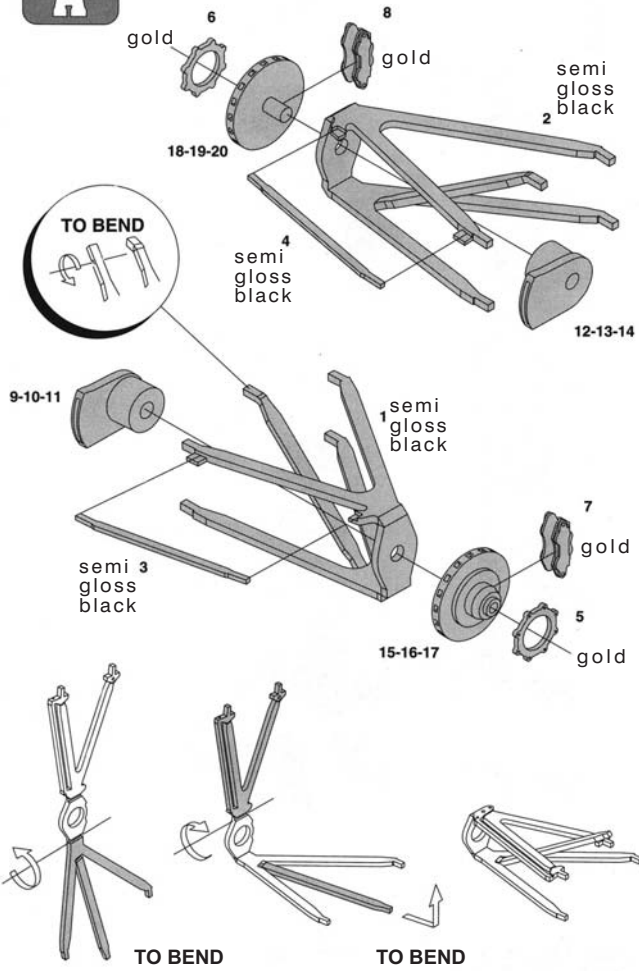
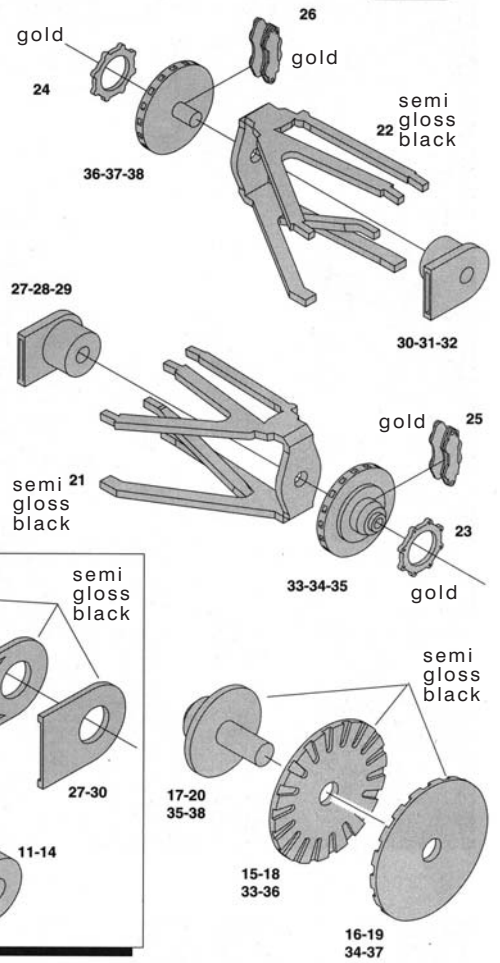
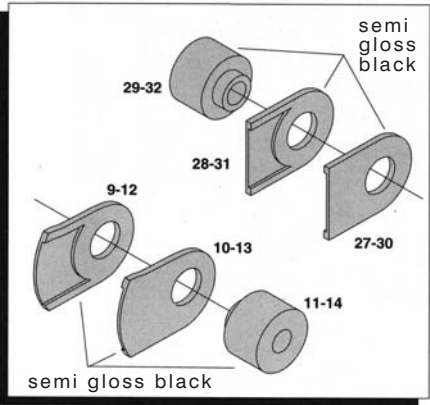
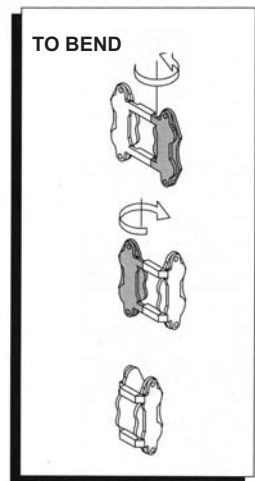
Ret.

**Colour conversion - Conversione colori - Farbumwandlung**  
**Conversion de couleurs - Colores convensionados**



FERRARI 322 ROSSO CORSA 2CT  
FIAT 101/A ROSSO CORSA  
FORD 2251 / EM / P9 RADIANT RED  
BMW 257 TOPROT



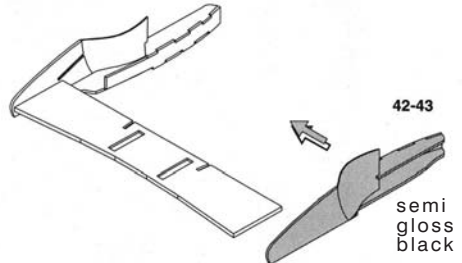
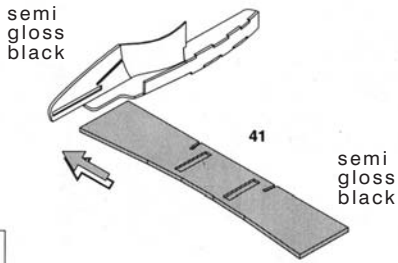
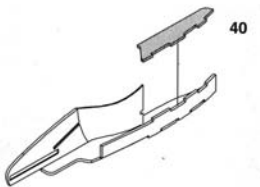
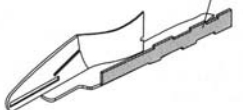
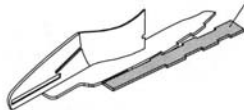
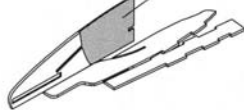
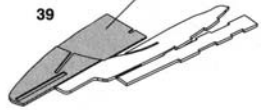
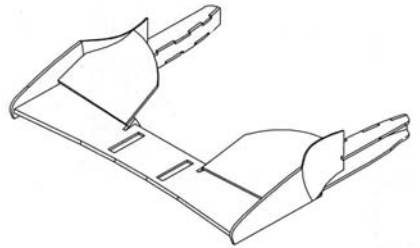
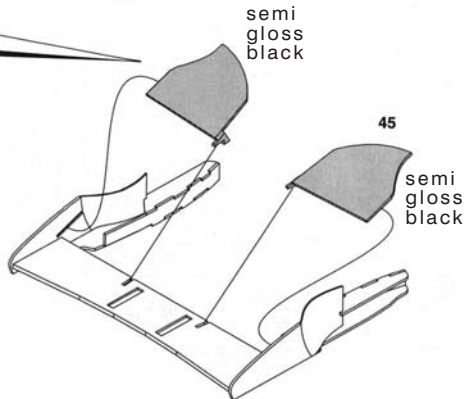
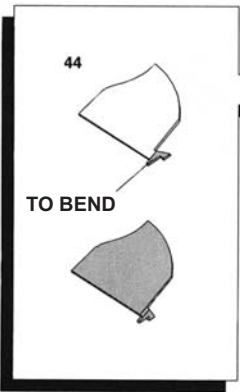
**A****B**

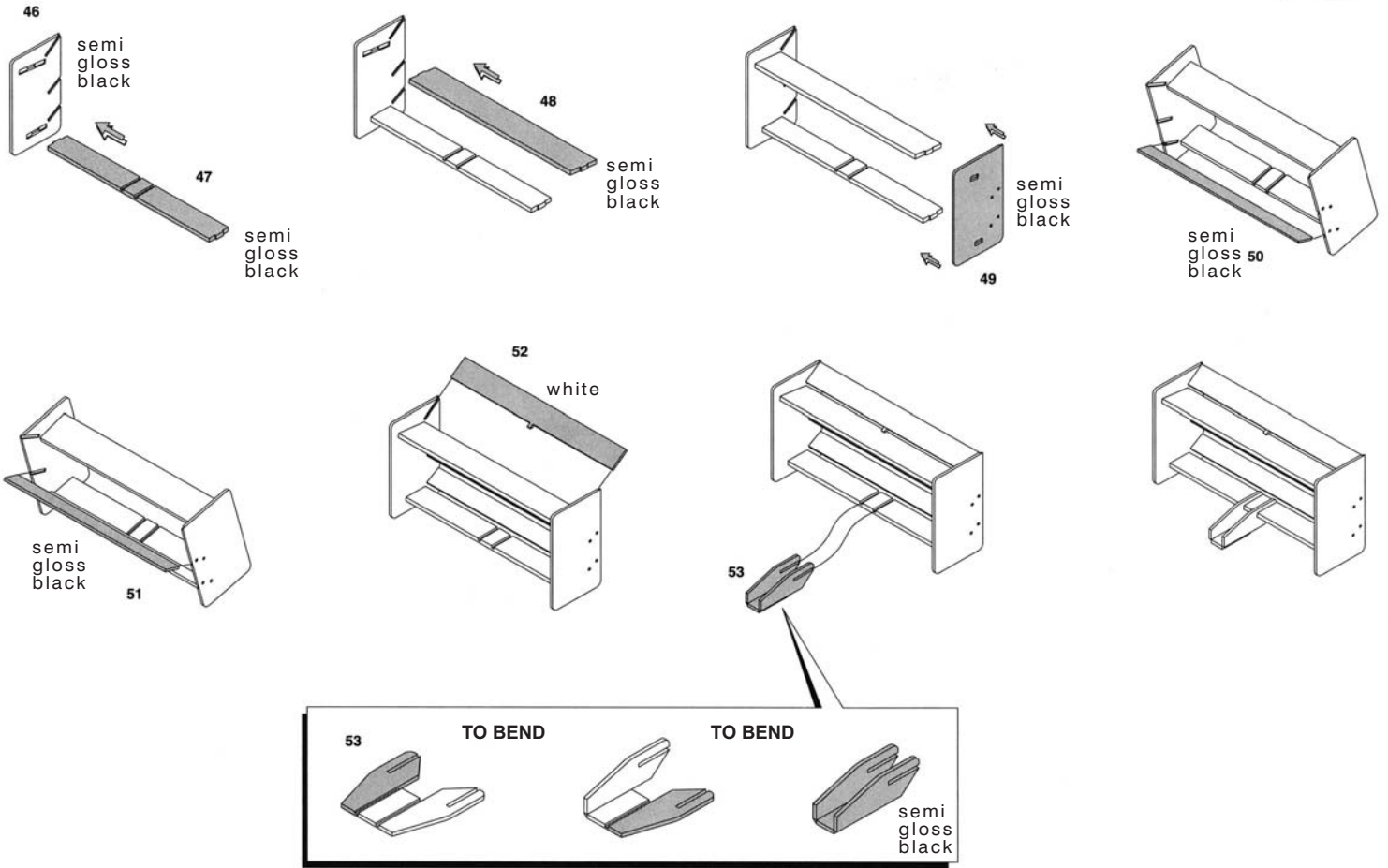
TO BEND

TO BEND

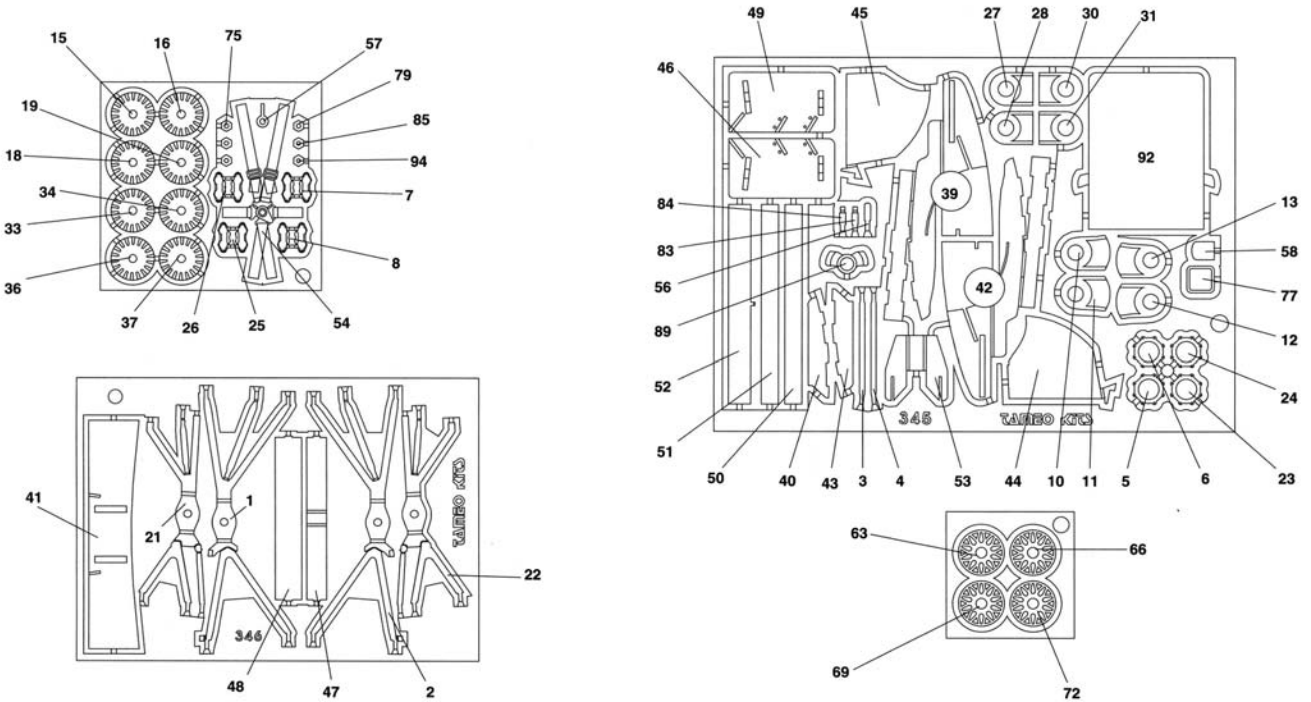
TO BEND

TO BEND

**C**



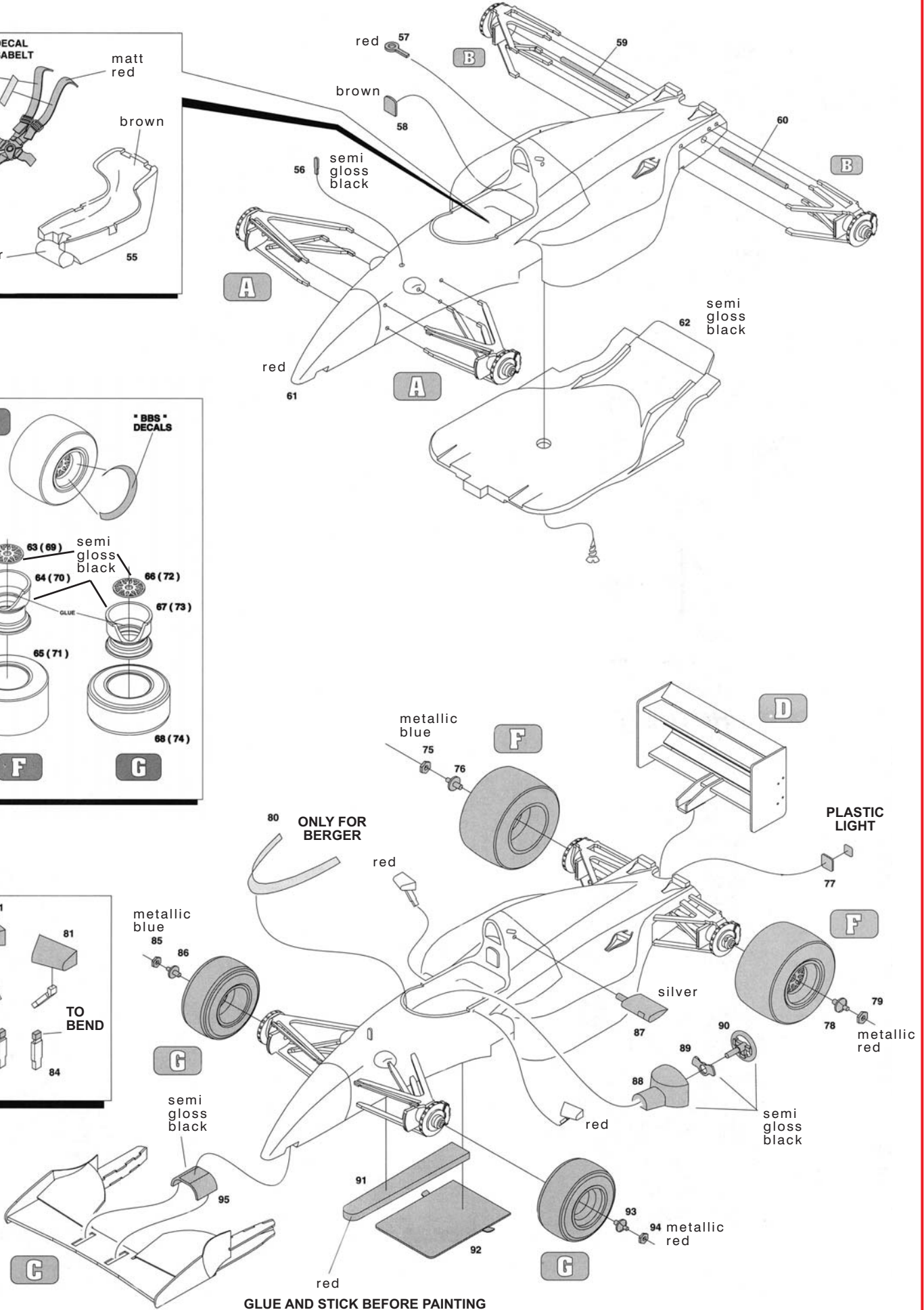
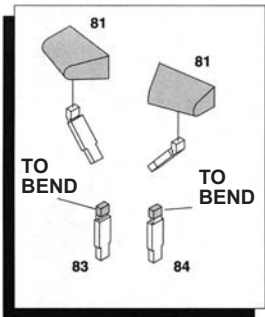
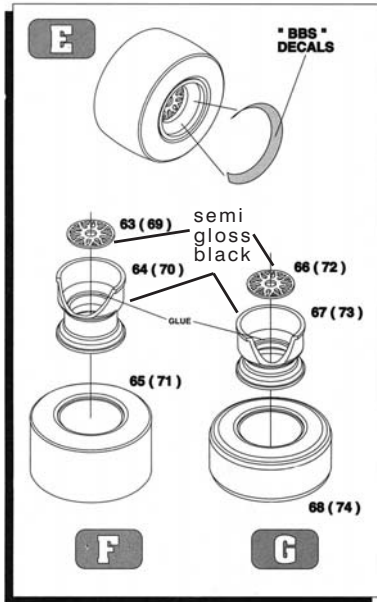
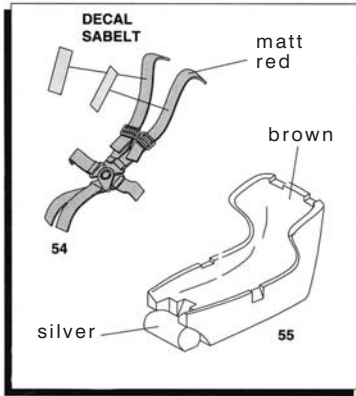
**Photoetched - Fotoincisioni - Fotogeaetzt  
Photogravures - Fotograbado**



TO BEND  
PIEGARE  
BIEGEN  
PLIER  
DOBLAR

ONLY FOR  
SOLO PER  
NUR FUER  
SEULEMENT POUR  
SOLO PARA

GLUE AND STICK BEFORE PAINTING  
INCOLLARE E STUCCARE PRIMA DELLA VERNICIATURA  
VOR DER LACKIERUNG VERKLEBEN UND VERSPACHTELN  
COLLER ET MASTIQUER AVANT DE VERNIR  
PEGAR Y ESTUCAR ANTES DE PINTAR



GLUE AND STICK BEFORE PAINTING