

TAMEO Kits

MCLAREN MP4-9



TMK 178

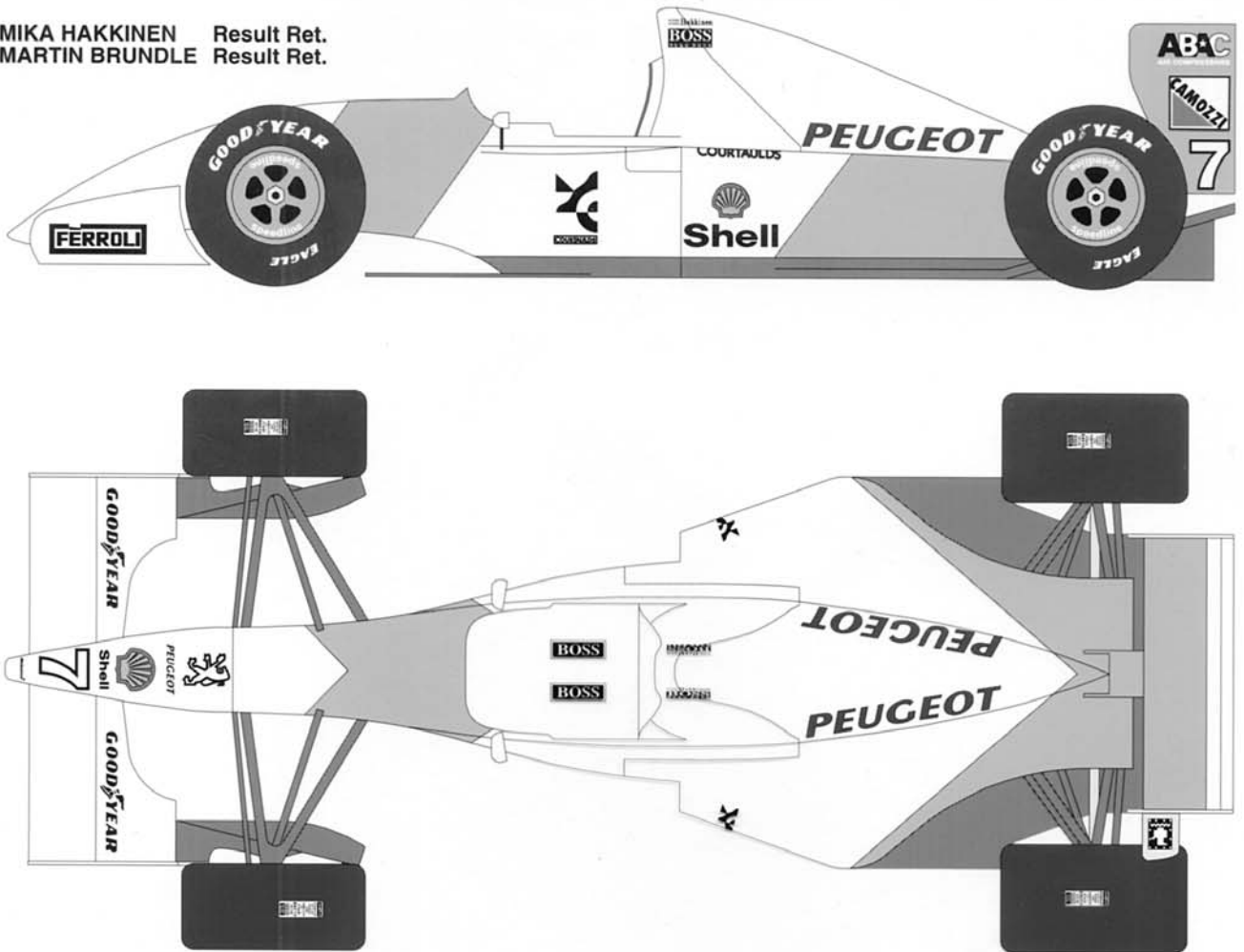
Photo 4

BRAZILIAN G.P. 1994

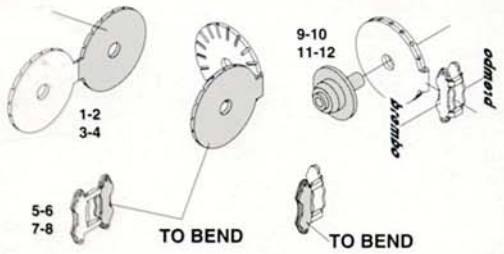


Photo 4

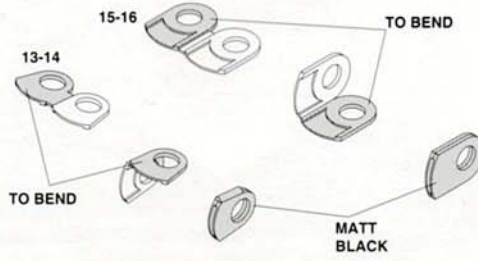
7 - MIKA HAKKINEN Result Ret.
8 - MARTIN BRUNDLE Result Ret.



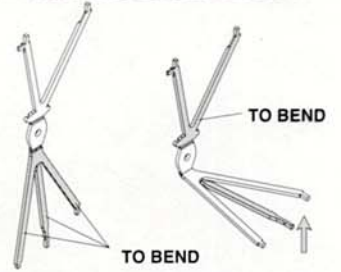
DISKS & BRAKES CALLIPER ASSEMBLY



BRAKE DUCTS ASSEMBLY

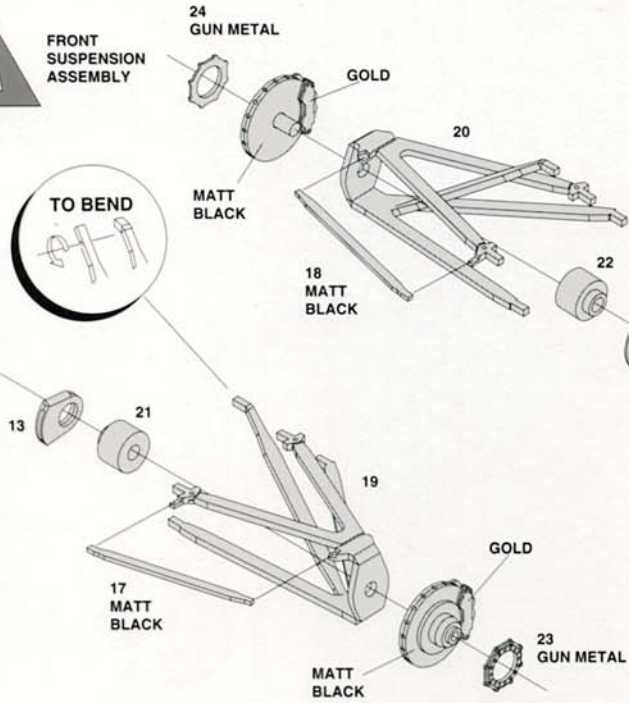


HOW TO BEND SUSPENSIONS



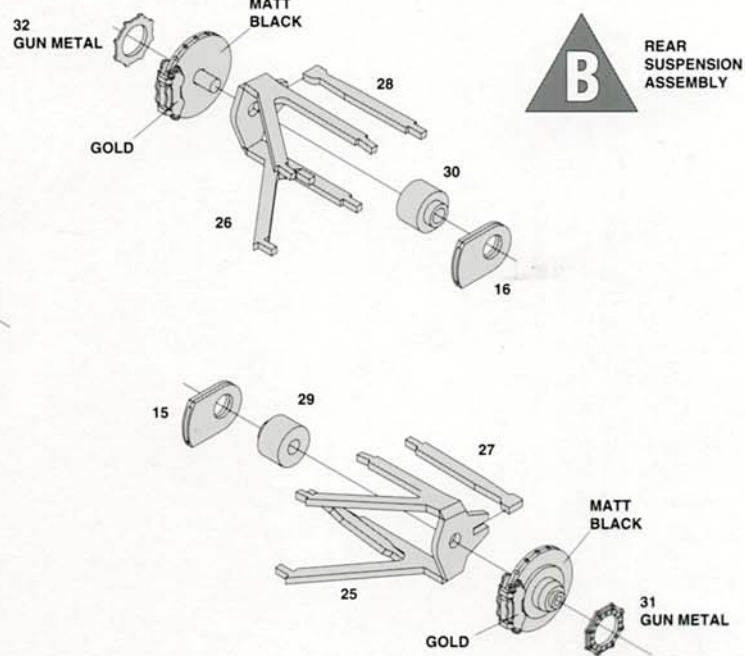
A

FRONT SUSPENSION ASSEMBLY



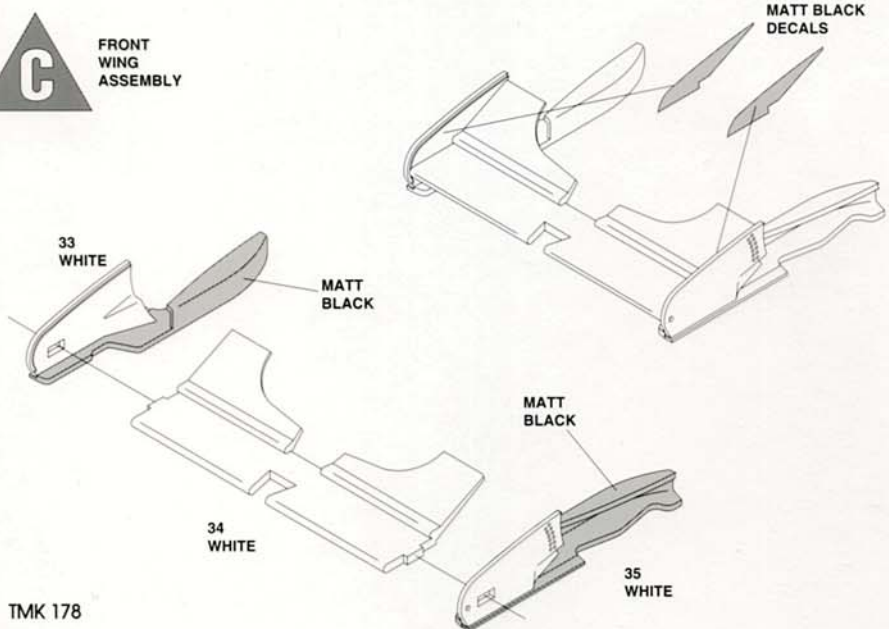
B

REAR SUSPENSION ASSEMBLY

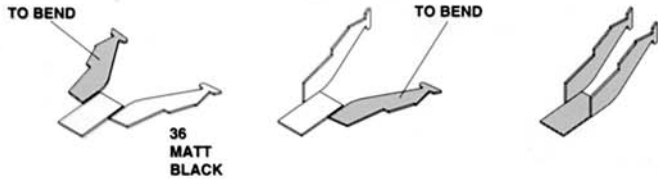


C

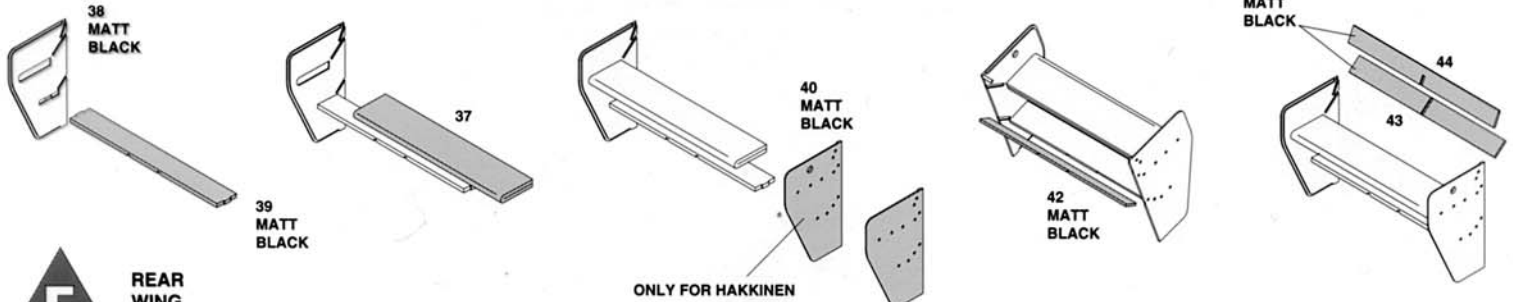
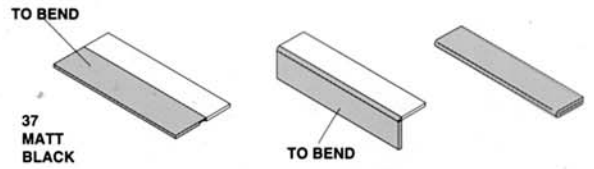
FRONT WING ASSEMBLY



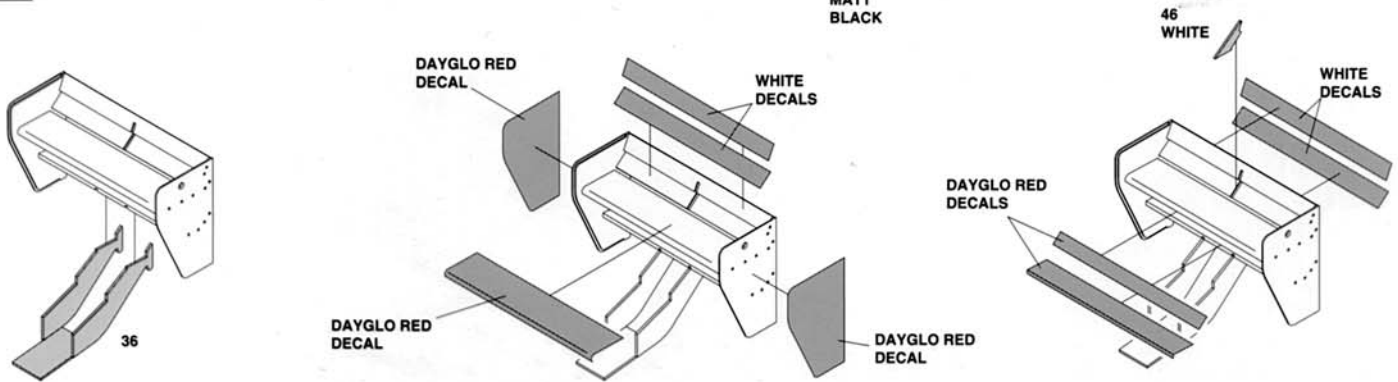
REAR WING SUPPORT



REAR WING MAIN PLANE

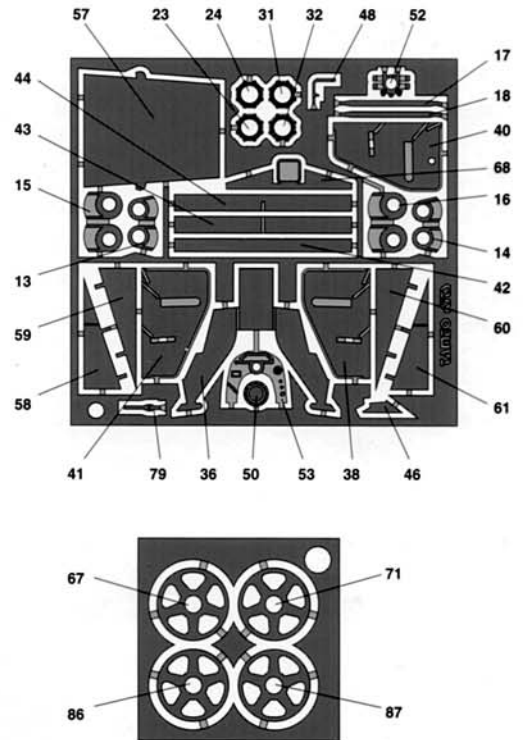
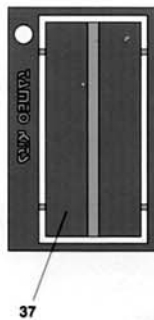
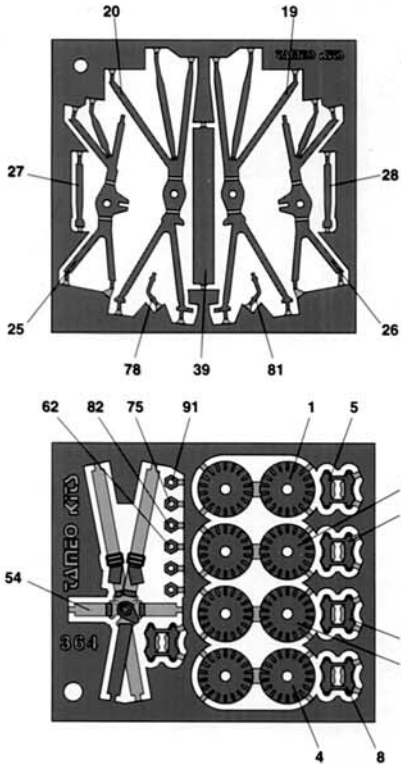


E REAR WING ASSEMBLY



TMK 178

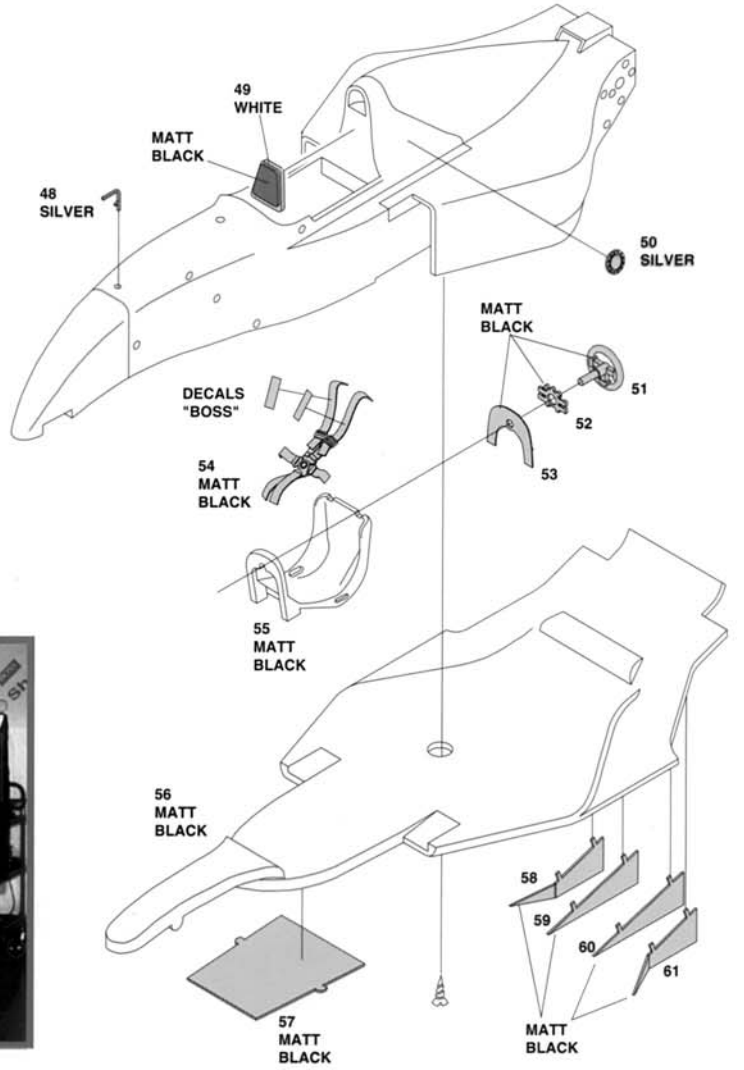
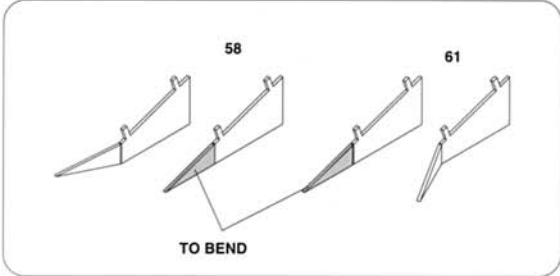
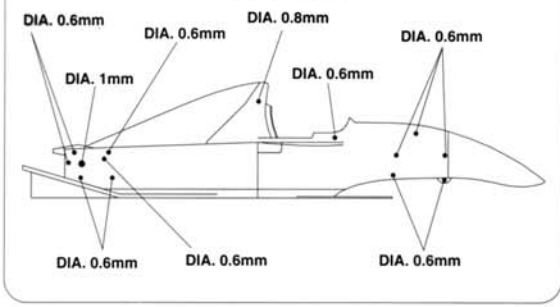
PHOTOETCHEDS



TAMEO KITS srl
 Via Valle, 111 - P.O. Box 61
 17022 BORGIO VEREZZI SV ITALY
 Tel. 39 019 - 615.250
 Fax. 39 019 - 615.310
www.tameokits.com
sales@tameokits.com
technical@tameokits.com

Made in Italy. Modello per collezionisti in scala 1/43. Vietata la vendita ai minori di 14 anni. Nocivo per ingestione. Conservare fuori dalla portata dei bambini. Tameo Kits declina ogni responsabilità per un uso improprio del prodotto.
 Made in Italy. Collector 1/43 Scale Models. Not for sale to persons under 14 years of age. Dangerous if swallowed. Keep out of reach of children. Tameo Kits not held responsible for any damage or injury resulting from improper use of the product.
 Made in Italy. Modèle pour collectionneurs échelle 1/43. Vente interdite aux enfants de moins de 14 ans. Dangereux si avalé. Conserver hors de la portée des enfants. Tameo Kits décline toute responsabilité dans le cas de dommages dérivants de l'usage non approprié du produit.
 Made in Italy. Sammlermodell im Massstab 1/43. Verkauf an Jugendliche unter 14 Jahren verboten. Schädlich bei Verschlucken. Tameo Kits lehnt jede Verantwortung bei unsachgemässer Benutzung des Produktes ab.
 Hecho en Italia. Colección de modelos a escala 1/43. Prohibida la venta a menores de 14 años. No comestible. Mantener fuera del alcance de los niños. Tameo Kits no se hace responsable de los daños causados por el uso incorrecto de este producto.

HOW TO HOLE



**COLOUR CONVERSION
DUPLICOLOR FORD DIAMOND WHITE**

