

**TMK282**  
**STEWART FORD SF-3**

**EUROPEAN G.P. 1999**

Manufactured under Licence from  
"STEWART GRAND PRIX Ltd"

**1**

WHITE  
BIANCO  
BLANC  
WEISS

WHITE 3  
WHITE 5  
WHITE 6  
WHITE

**STICK ONLY FOR HERBERT**

**PARTS N. 1 - 2 - 3 - 4 - 5 - 6**  
GLUE AND STICK BEFORE PAINTING

WHITE 1  
WHITE 2

• STICK STUCCARE MASTIQUER VERSTÜCKEN

• GLUE AND STICK BEFORE PAINTING  
INCOLLARE E STUCCARE PRIMA DELLA VERNICIATURA  
COLLER ET MASTIQUER AVANT DE VERNIR  
KLEIBEN UND VERSTÜCKEN VOR DER LACKIERUNG

• TO BEND  
PIEGARE  
PLIER  
BIEGEN

• WHITE  
TAMIYA TS26

**2**

TO BEND

TO BEND

TO BEND

TO BEND

TO BEND

TAMIYA COLOR X-11:1+X-12:1

TAMIYA COLOR X-10:1+XF-1:1

SEMI GLOSS BLACK  
NERO SATINATO  
SEIDENGLANZ SCHWARZ  
NOIR SATINE

SEMI GLOSS BLACK

SEMI GLOSS BLACK

TAMIYA COLOR X-10:1+XF-1:1

TAMIYA COLOR X-11:1+X-12:1

SEMI GLOSS BLACK

TAMIYA COLOR X-10:1+XF-1:1

TAMIYA COLOR X-11:1+X-12:1

SEMI GLOSS BLACK

**HOW TO DRILL**

• DRILL FORARE BOHREN PERCER

Ø 0,8mm  
Ø 0,5mm  
Ø 0,6mm  
Ø 0,8mm  
Ø 0,5mm  
Ø 0,6mm  
Ø 0,8mm  
Ø 0,5mm  
Ø 0,5mm  
Ø 0,5mm  
Ø 0,5mm  
Ø 0,8mm

**ONLY HERBERT**

**3**

SEMI GLOSS BLACK  
TAMIYA X-18

SILVER  
TAMIYA X-11

SILVER  
ARGENTO  
ARGENTE  
SILBER

SILVER 35  
SILVER 36

SEMI GLOSS BLACK 34

**4**

FLAT BLUE  
TAMIYA XF-8

SEMI GLOSS BLACK

SEMI GLOSS BLACK

FLAT BLUE  
BLU OPACO  
BLEU OPAQUE  
MATTEBLAU

FLAT BLUE 40  
FLAT BLUE 41

SEMI GLOSS BLACK 42

DECAL

**5**

SEMI GLOSS BLACK

PART N. 43  
STEEL WIRE DIAM. 0,8 mm

**7**

SEMI GLOSS BLACK

SEMI GLOSS BLACK

SEMI GLOSS BLACK

TO BEND

TO BEND

FLAT BLACK  
TAMIYA XF-1

FLAT BLACK

FLAT BLACK 55  
FLAT BLACK 54  
FLAT BLACK 53

FLAT BLACK 50  
FLAT BLACK 52

SILVER 51

SEMI GLOSS BLACK

**9**

SEMI GLOSS BLACK 61

WHITE 60

SILVER 59

**10**

SILVER 64  
SILVER 63  
SILVER 62

**ONLY HERBERT**

**6**

SILVER

PART N. 45  
STEEL WIRE DIAM. 0,8 mm

**8**

SEMI GLOSS BLACK 58

SILVER 56

WHITE 57

**TO BEND**

TO BEND

TO BEND

62 - 64  
65 - 66

**11**

65  
66  
67  
68

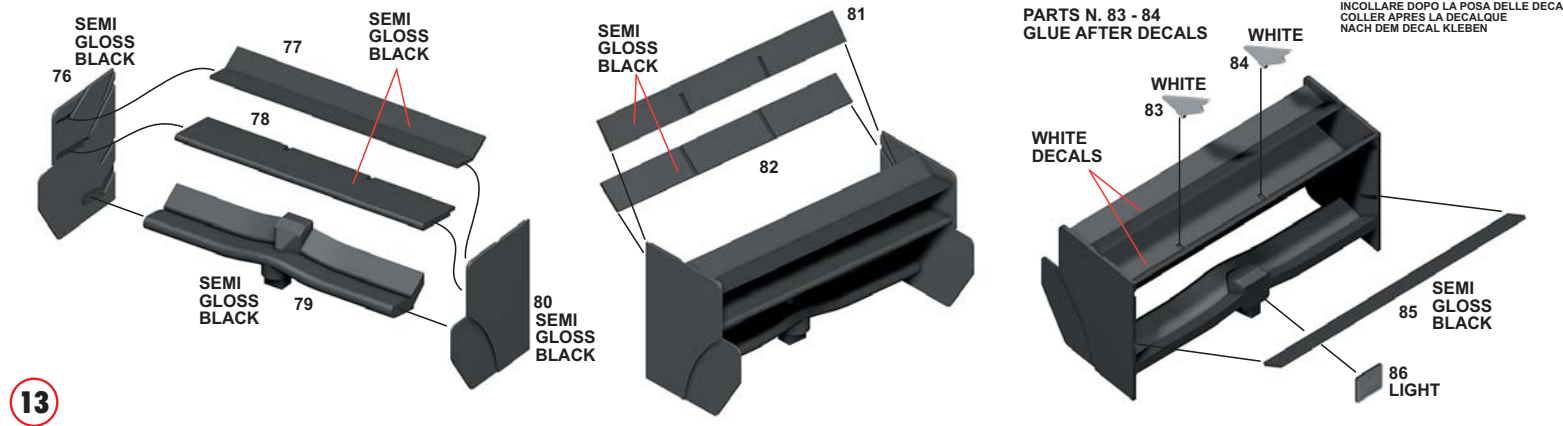
Modello progettato e realizzato interamente con l'ausilio del Software CAD MicroStation Modeler  
 Model engineered and realized with the help of Software CAD MicroStation Modeler  
 Modél préjeté et réalisé avec aide du Software CAD MicroStation Modeler  
 Konstruiert und gefertigt mit CAD MicroStation Modeler Software



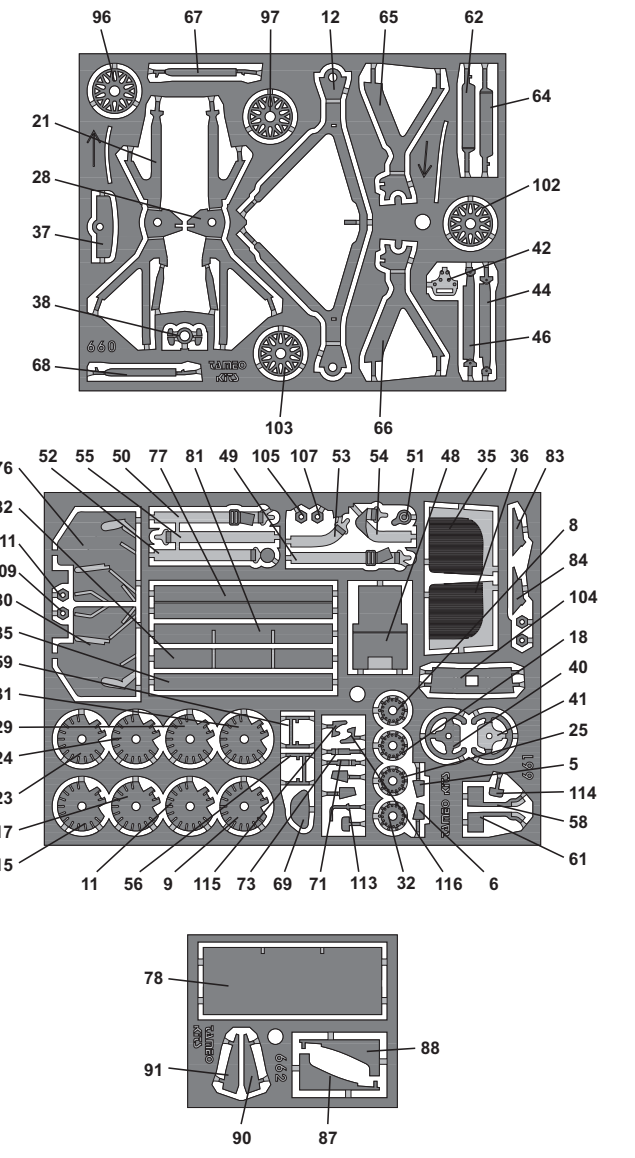
**BENTLEY**  
 Engineering the future together



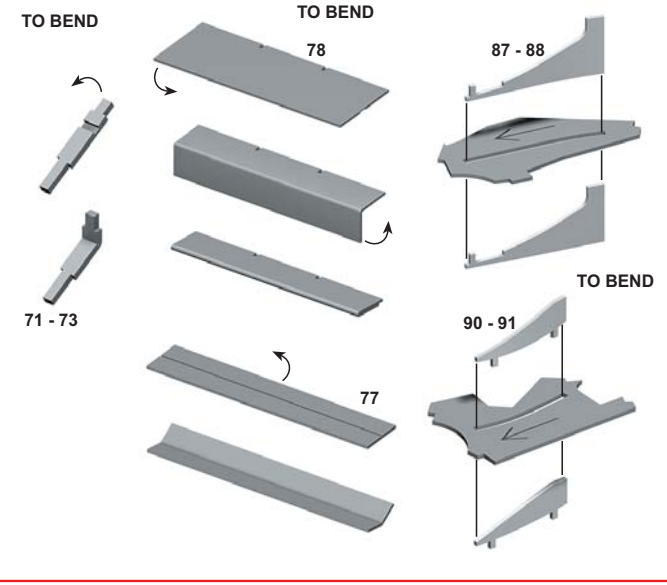
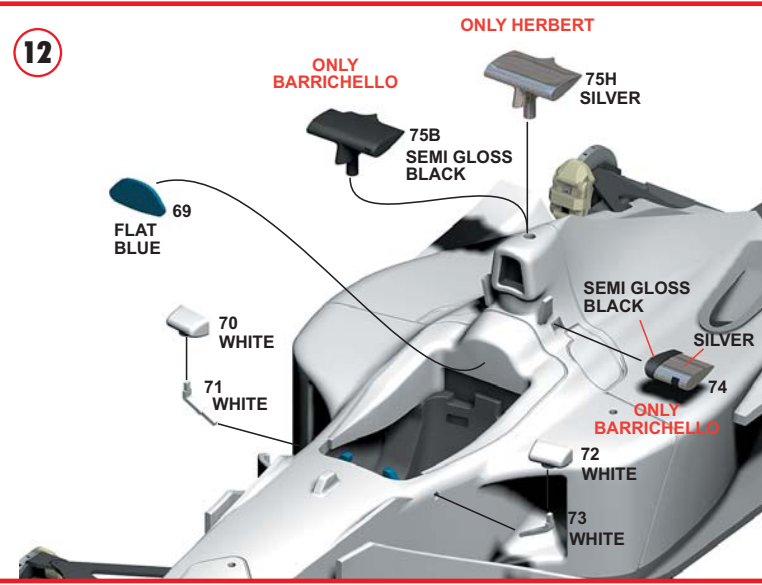
Mechanical Space



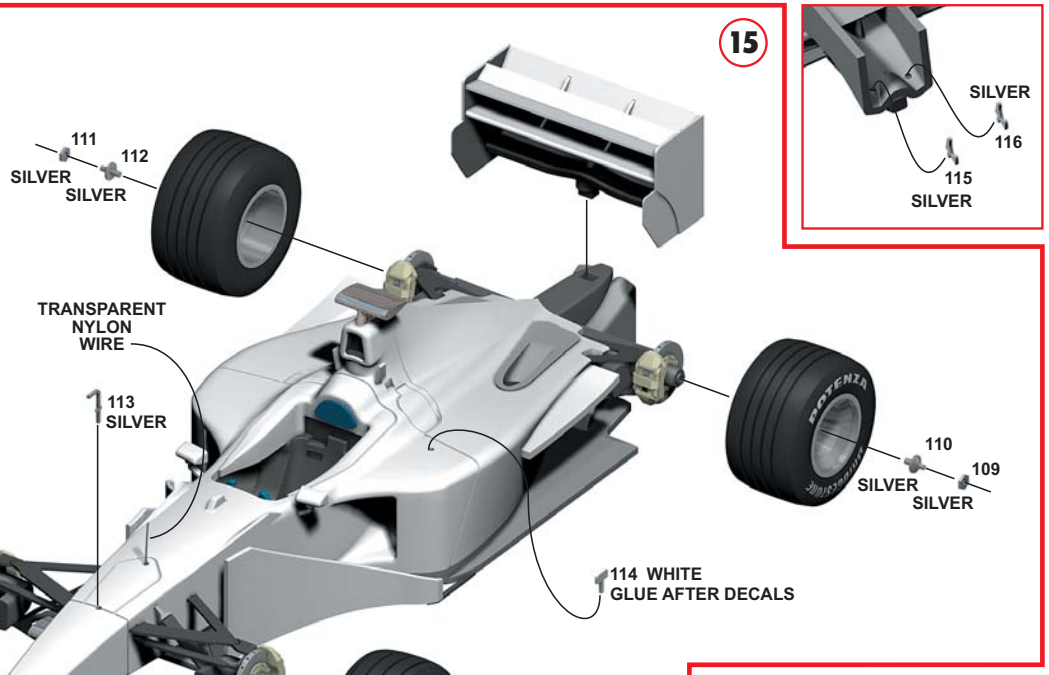
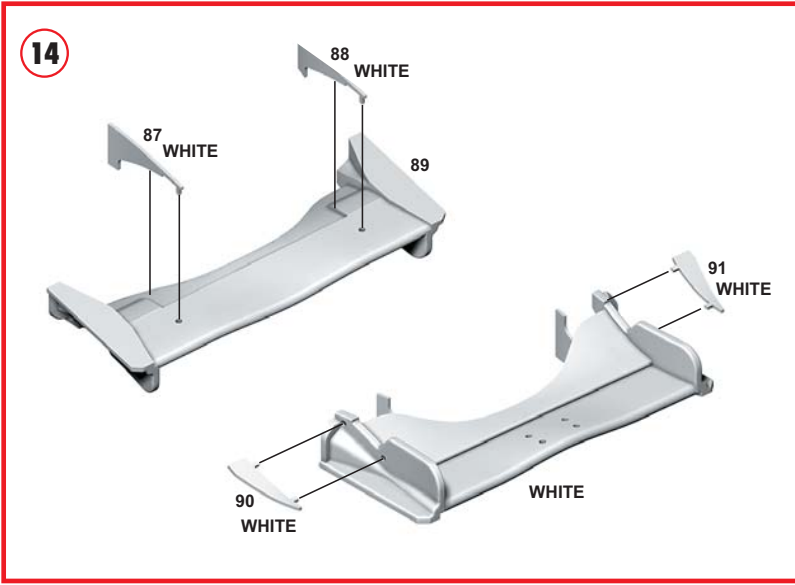
13



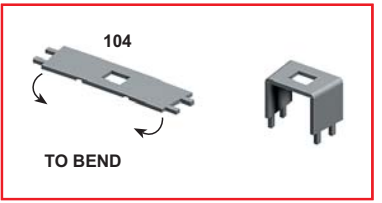
12



14



15



EUROPEAN G.P. 1999

16 - R. Barrichello 3rd 17 - J. Herbert 1st

