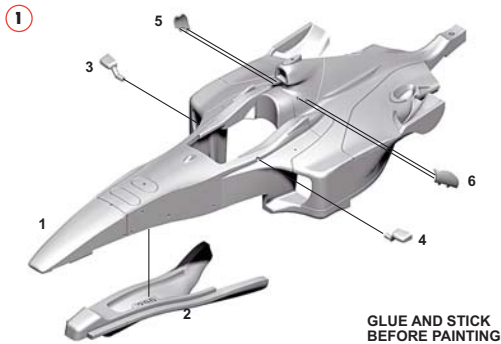
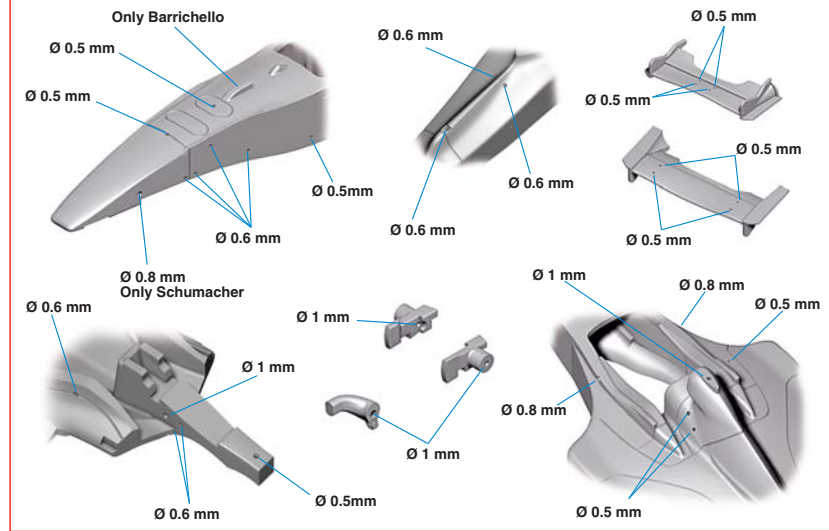
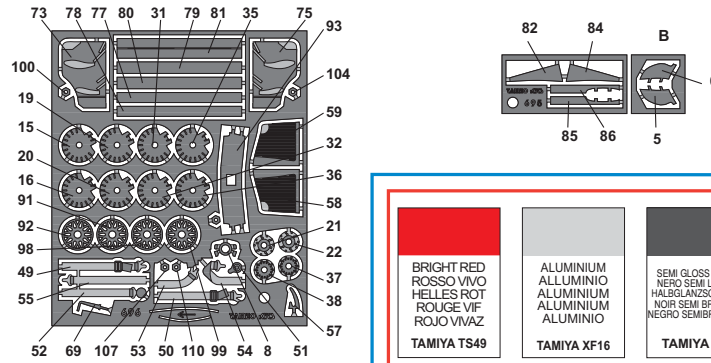
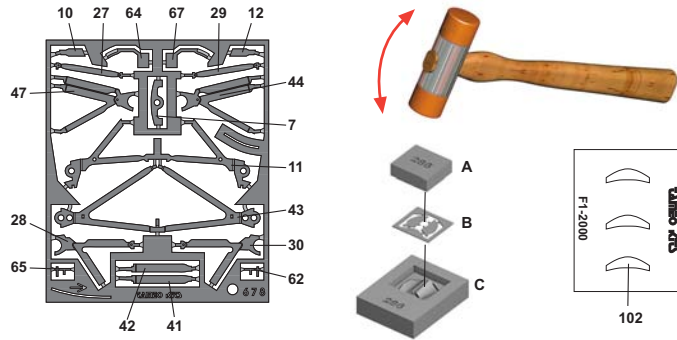
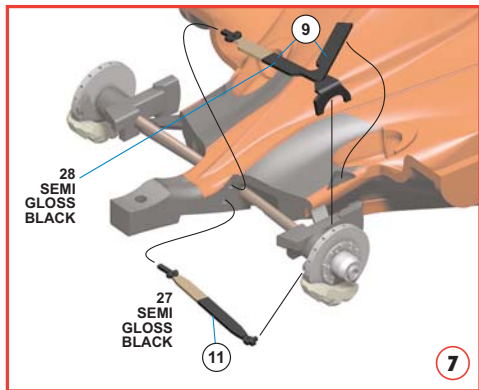
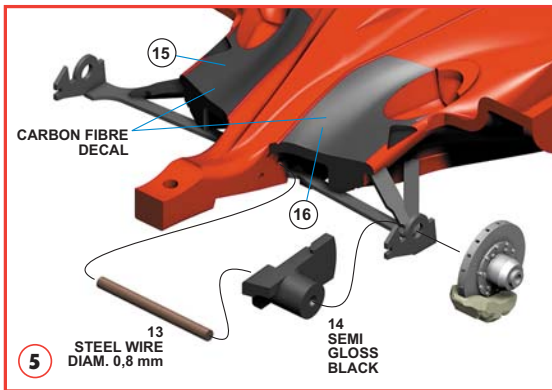
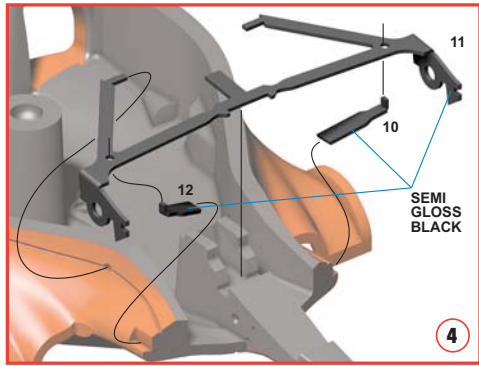
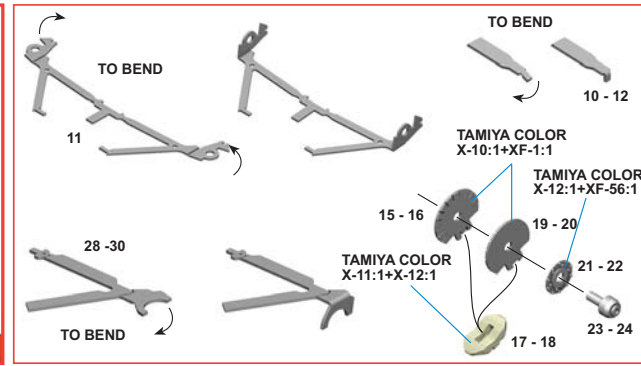
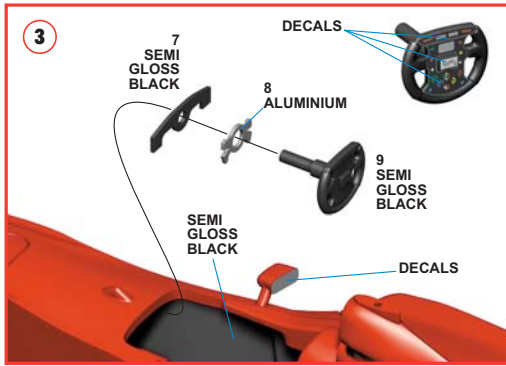
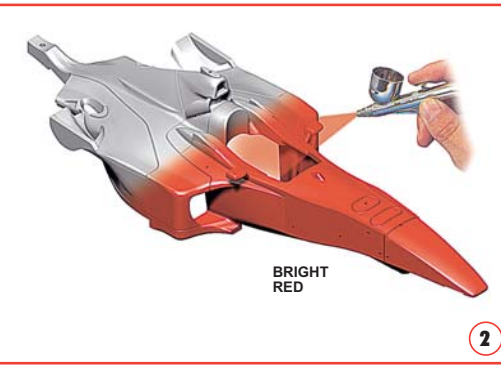


**TAMEO KIT**  
scale racing car models

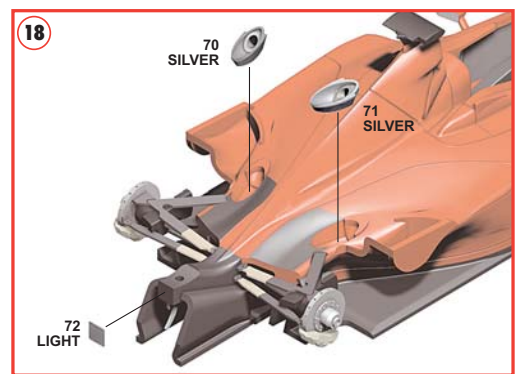
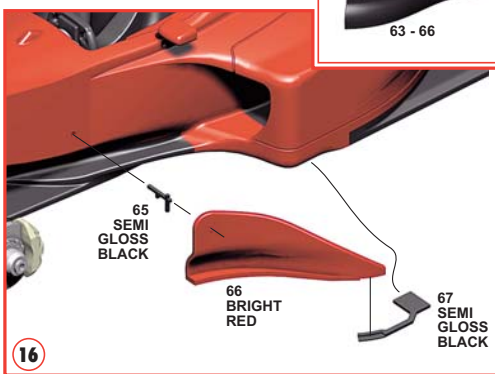
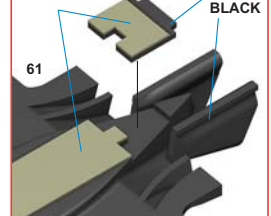
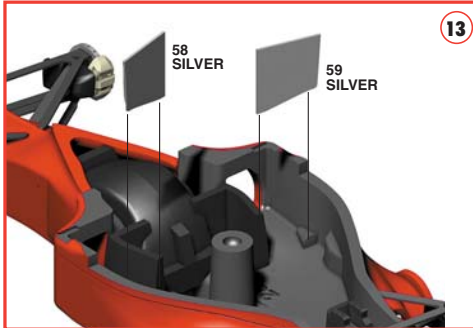
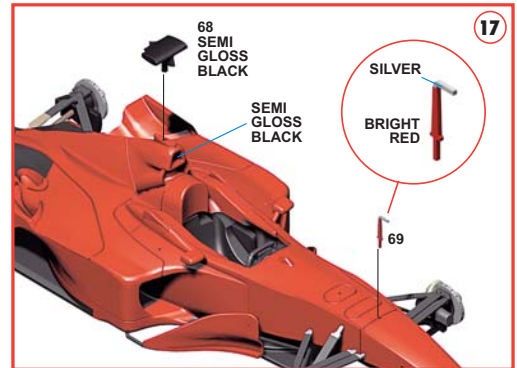
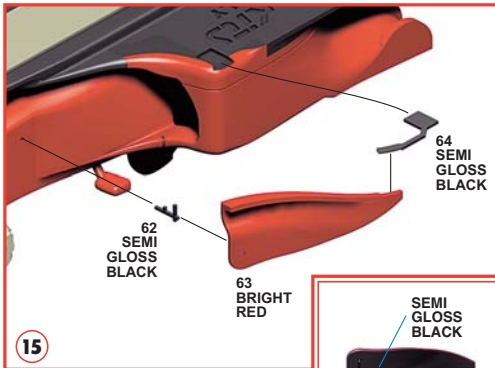
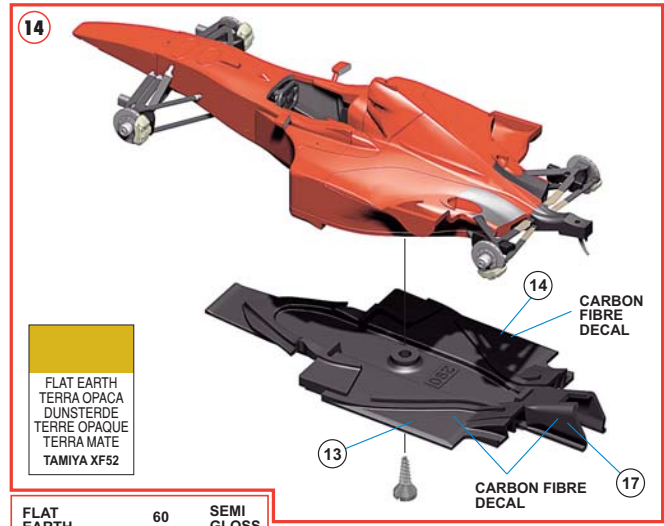
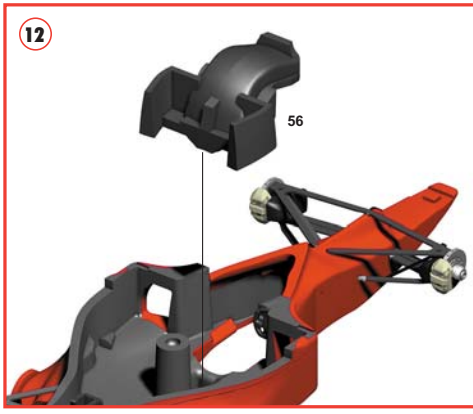
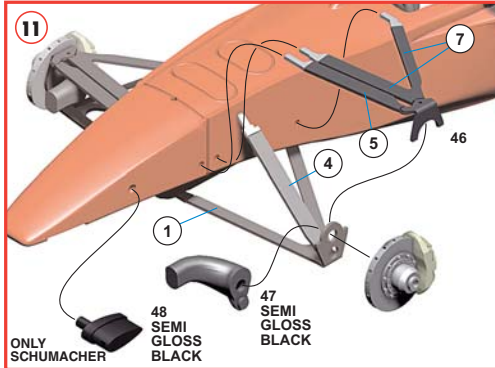
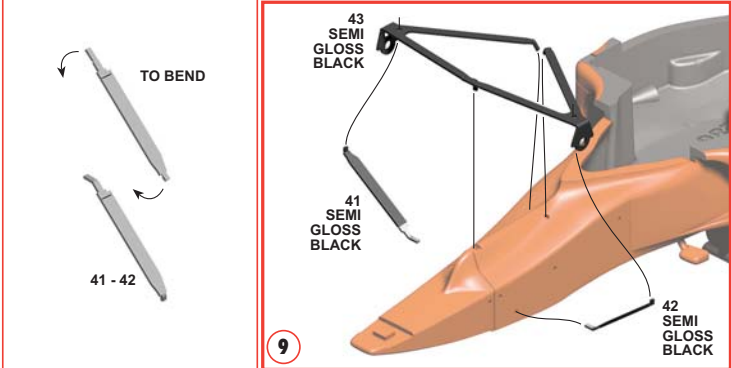
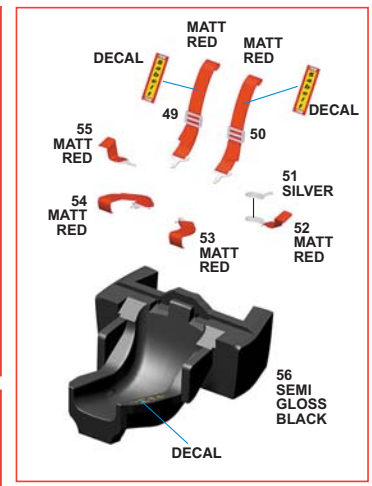
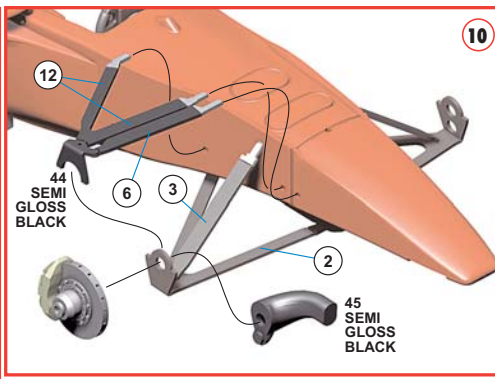
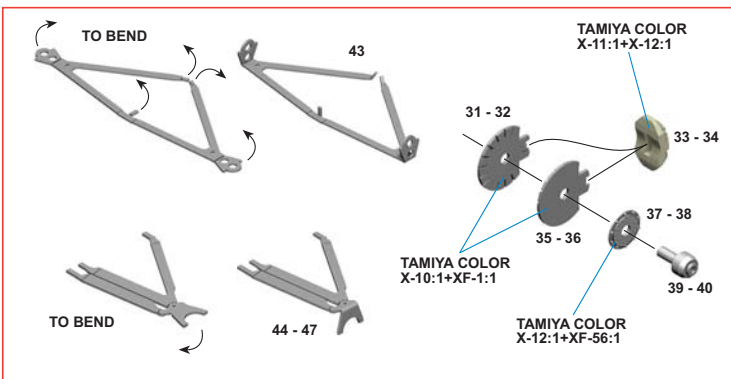
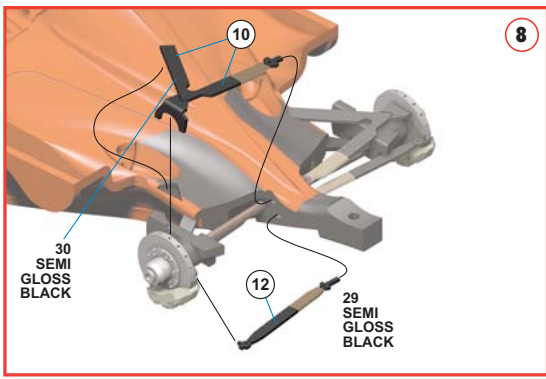
**TMK293**  
**FERRARI F1-2000**  
JAPANESE G.P. 2000



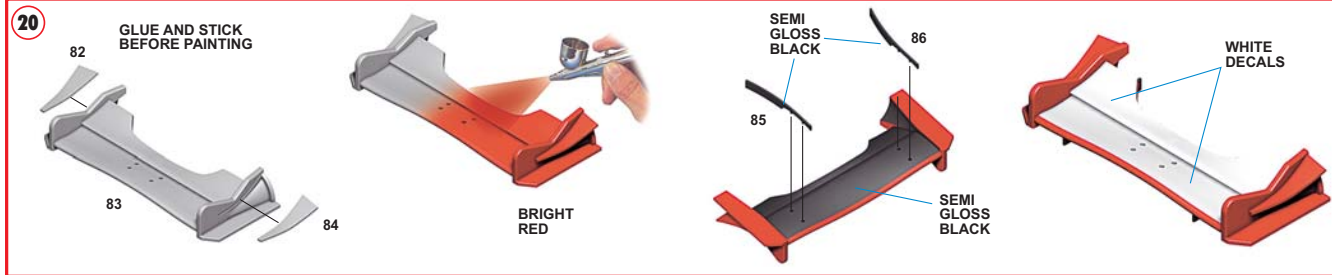
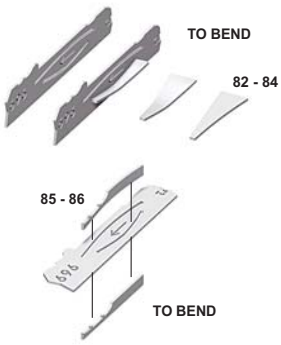
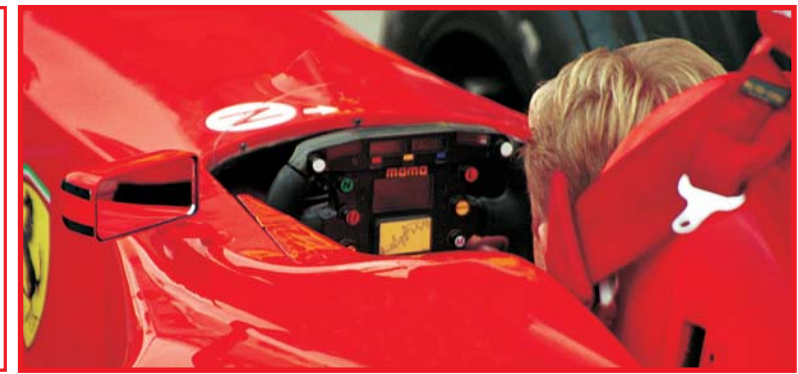
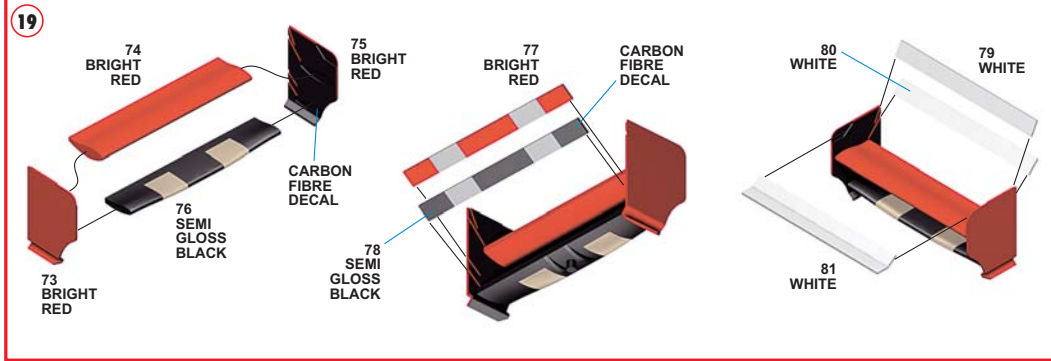
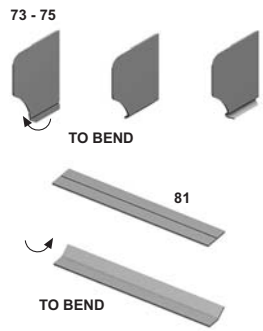
BRIGHT RED ROSSO VIVO HELLES ROT ROUGE VIF ROJO VIVAZ TAMIYA TS49	ALUMINIUM ALUMINIO ALUMINIUM ALUMINIO TAMIYA XF16	SEMI GLOSS BLACK NERO SEMI LUCIDO HALBGLANZSCHWARZ NOIR SEMI BRILLANT NEGRO SEMBRILLANTE TAMIYA X18	GOLD ORO GOLD OR ORO TAMIYA X12	SILVER ARGENTO SILBER ARGENT PLATA TAMIYA X11	METALLIC GREY GRIGIO METALLIZZATO METALLISERT GRAY GRIS METALISE GRIS METALIZADA TAMIYA XF56	GUN METAL GRIGIO FUCILE GUN METAL GRIS FUSIL GRIS FUSIL TAMIYA X10	BLACK NERO SCHWARZ NOIRE NEGRO TAMIYA XF1	MATT RED ROSSO OPACO MATT ROT ROUGE OPAQUE ROJO MATE TAMIYA XF7	WHITE BIANCO WEISS BLANC BLANCO TAMIYA X2











GLUE AND STICK BEFORE PAINTING  
 INCOLLARE E STUCCARE PRIMA DELLA VERNICIATURA  
 VOR DER LACKIERUNG VERKLEBEN UND VERSPACHTELN  
 COLLER ET MASTIQUER AVANT DE VERNIR  
 PEGAR Y ESTUCAR ANTES DE PINTAR

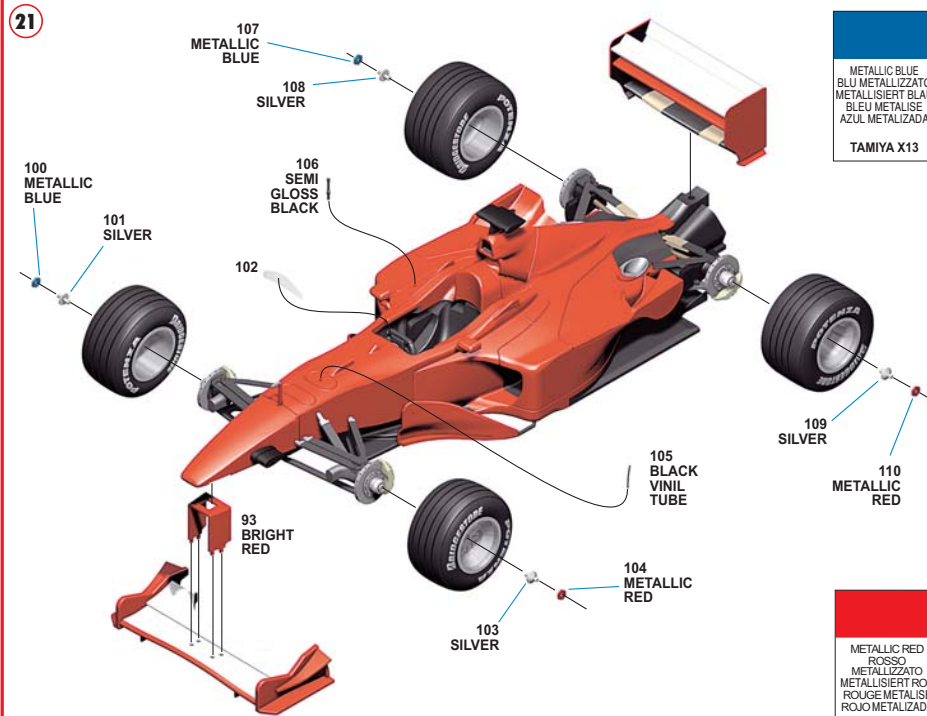
TO BEND  
 PIEGARE  
 BIEGEN  
 PLIER  
 DOBLAR

STEEL WIRE  
 FILO D'ACCIAIO  
 STAHLDRAHT  
 FIL ACIER  
 ALAMBRE D'ACERO

Ø DIAMETRO  
 DIAMETRO  
 DURCHMESSER  
 DIAMETRE  
 DIAMETRO

LIGHT  
 LUCE  
 LICHT  
 FEUX  
 LUZ

ONLY FOR SOLO PER  
 NUR FUER  
 SEULEMENT POUR  
 SOLO PARA

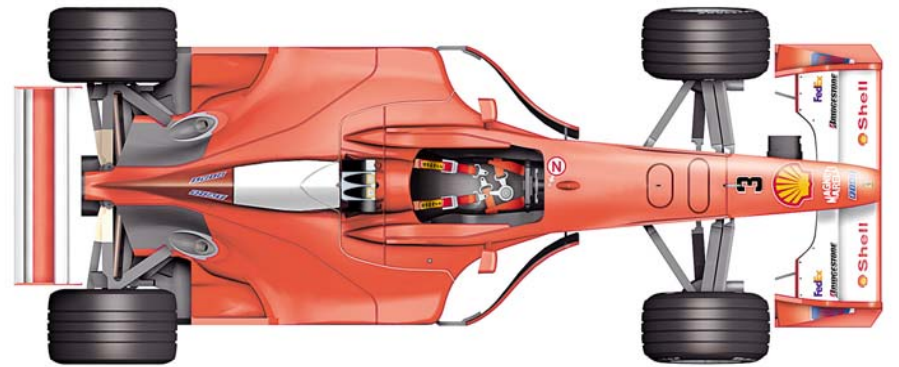


METALLIC BLUE  
 BLU METALLIZZATO  
 METALLISIERT BLAU  
 BLEU METALISE  
 AZUL METALIZADA  
 TAMIYA X13

METALLIC RED  
 ROSSO  
 METALLIZZATO  
 METALLISIERT ROT  
 ROUGE METALISE  
 ROJO METALIZADA  
 HUMBROL 51

JAPANESE G.P. 2000

3 - M. Schumacher 1st  
 4 - R. Barrichello 2nd

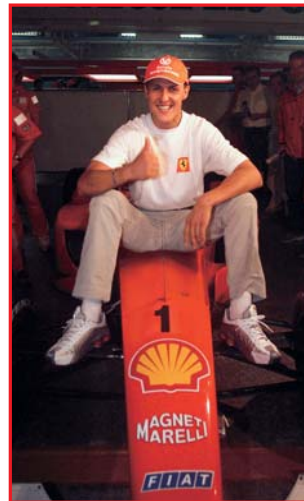






TMK293

PHOTOS: TAMEO ARCHIVES



**Ferrari**

Produced under license of Ferrari Spa.  
 FERRARI, the PRANCING HORSE device, all associated logos and distinctive designs are trademarks of Ferrari Spa.  
 The body designs of the Ferrari cars are protected as Ferrari property under design, trademark and trade dress regulations

OFFICIAL LICENSED PRODUCT

**TAMEO KITS** srl  
 Via Valle, 111 - P.O. Box 61  
 17022 BORGIO VEREZZI SV ITALY  
 Tel. 39 019 - 615.250  
 Fax. 39 019 - 615.310

[www.tameokits.com](http://www.tameokits.com)  
[sales@tameokits.com](mailto:sales@tameokits.com)  
[technical@tameokits.com](mailto:technical@tameokits.com)

Made in Italy. Modello per collezionisti in scala 1/43. Vietata la vendita ai minori di 14 anni. Nocivo per ingestione. Conservare fuori dalla portata dei bambini. Tameo Kits declina ogni responsabilità per un uso improprio del prodotto.

Made in Italy. Collector 1/43 Scale Models. Not for sale to persons under 14 years of age. Dangerous if swallowed. Keep out of reach of children, Tameo Kits not held responsible for any damage or injury resulting from improper use of the product.

Made in Italy. Modèle pour collectionneurs échelle 1/43. Vente interdite aux enfants de moins de 14 ans. Dangereux si avalé. Conserver hors de la portée des enfants. Tameo Kits décline toute responsabilité dans le cas de dommages dérivants de l'usage non approprié du produit.

Made in Italy. Sammlermodell im Massstab 1/43. Verkauf an Jugendliche unter 14 Jahren verboten. Schädlich bei Verschlucken. Tameo Kits lehnt jede Verantwortung bei unsachgemässer Benutzung des Produktes ab.

Hecho en Italia. Colección de modelos a escala 1/43. Prohibida la venta a menores de 14 años. No comestible. Mantener fuera del alcance e de los niños. Tameo Kits no se hace responsable de los daños causados por el uso incorrecto de este producto.

TMK293