

TAMEO kits
scale racing car models

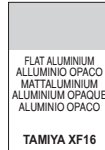


TMK346 FERRARI F2004 BELGIAN G.P. 2003

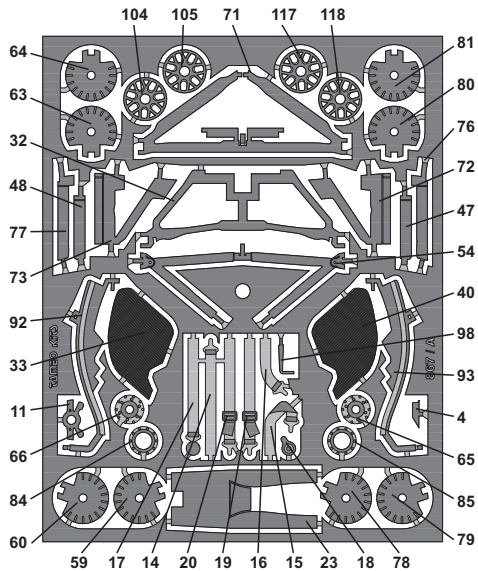
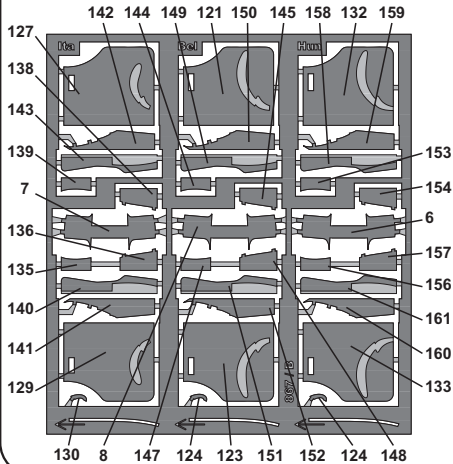
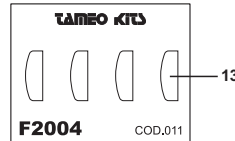
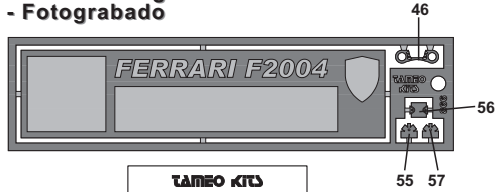
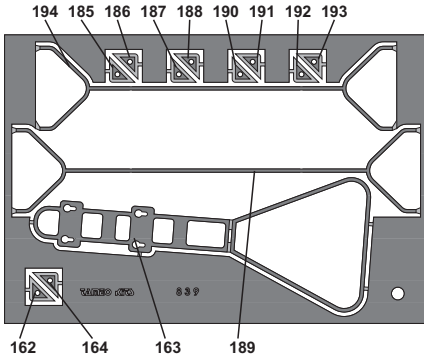
www.tameokits.com



Colour conversion - Conversione colori - Farbenumwandlung Conversion de couleurs - Cores convensionados



Photoetched - Fotoincisioni - Fotogeazt Photogravures - Fotograbado



TAMEO KITS srl

Via Valle, 111 - P.O. Box 61
17022 BORGIO VEREZZI SV ITALY
Tel. 39 019 - 615.250
Fax. 39 019 - 615.310

www.tameokits.com

sales@tameokits.com

technical@tameokits.com

Made in Italy. Modello per collezionisti in scala 1/43. Vietata la vendita ai minori di 14 anni. Nocivo per ingestione. Conservare fuori dalla portata dei bambini. Tameo Kits declina ogni responsabilità per un uso improprio del prodotto.

Made in Italy. Collector 1/43 Scale Models. Not for sale to persons under 14 years of age. Dangerous if swallowed. Keep out of reach of children. Tameo Kits not held responsible for any damage or injury resulting from improper use of the product.

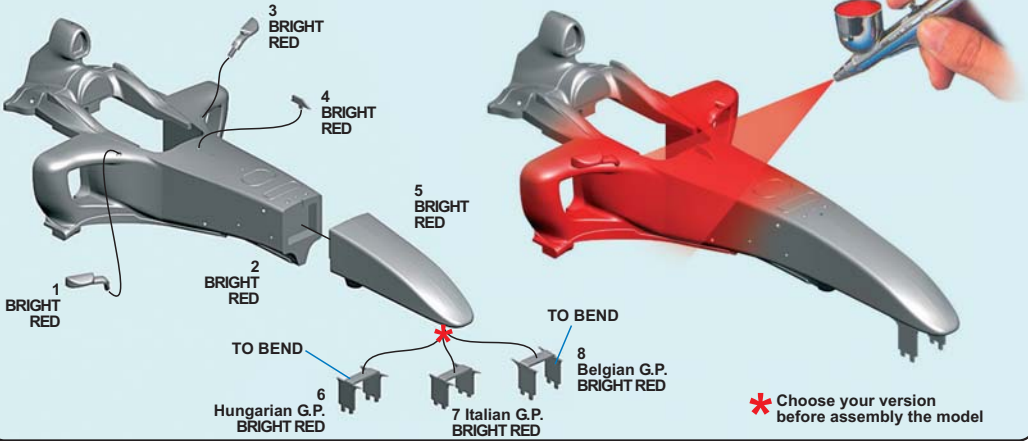
Made in Italy. Modèle pour collectionneurs échelle 1/43. Vente interdite aux enfants de moins de 14 ans. Dangereux si avalé. Conserver hors de la portée des enfants. Tameo Kits décline toute responsabilité dans le cas de dommages dérivants de l'usage non approprié du produit.

Made in Italy. Sammlermodell im Massstab 1/43. Verkauf an Jugendliche unter 14 Jahren verboten. Schädlich bei Verschlucken. Tameo Kits lehnt jede Verantwortung bei unsachgemässer Benutzung des Produktes ab.

Hecho en Italia. Colección de modelos a escala 1/43. Prohibida la venta a menores de 14 años. No comestible. Mantener fuera del alcance de los niños. Tameo Kits no se hace responsable de los daños causados por el uso incorrecto de este producto.

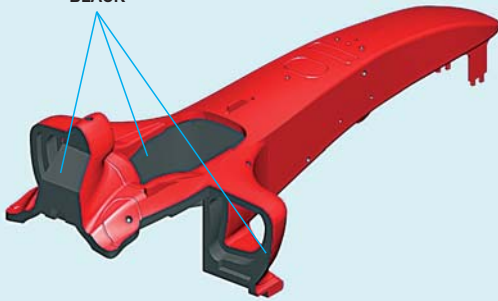
1

GLUE AND STICK BEFORE PAINTING



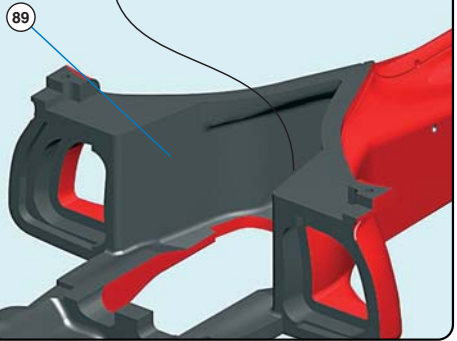
2

SEMI GLOSS BLACK



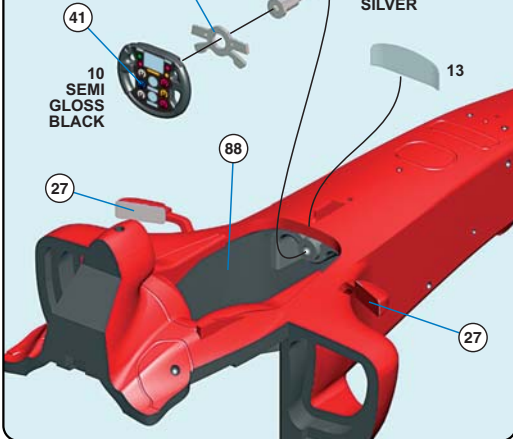
3

9 SEMI GLOSS BLACK



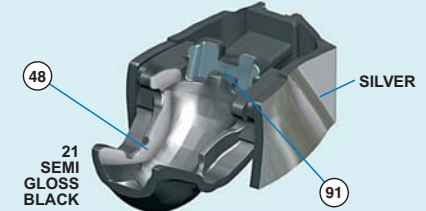
4

11 SILVER

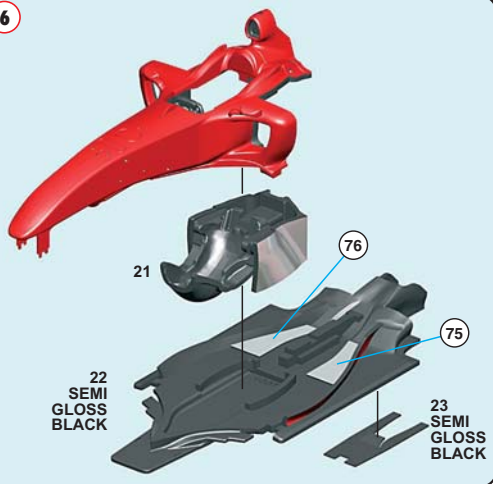


5

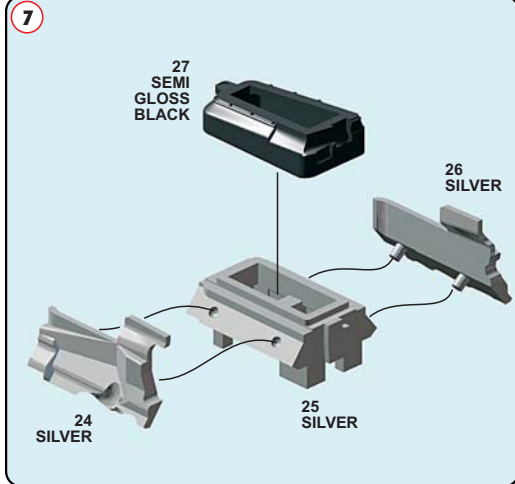
14 MATT RED



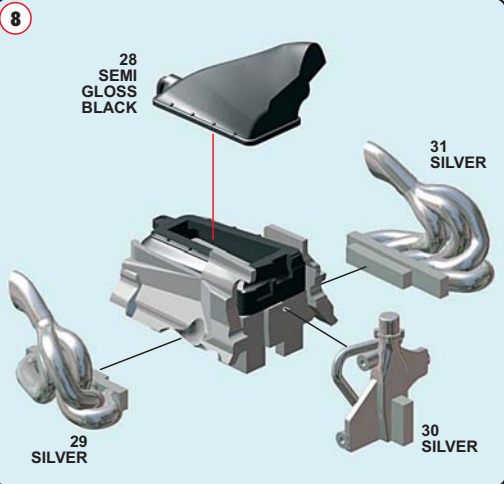
6



7



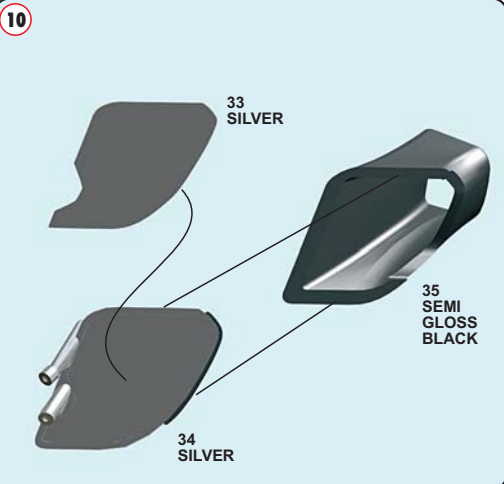
8



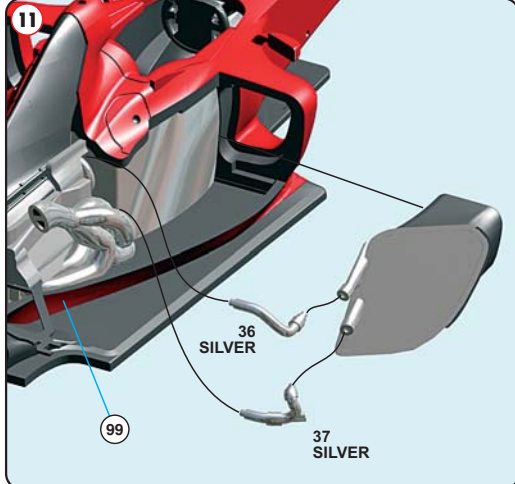
9

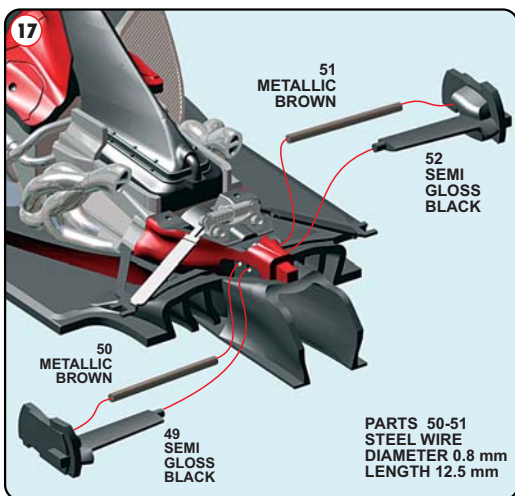
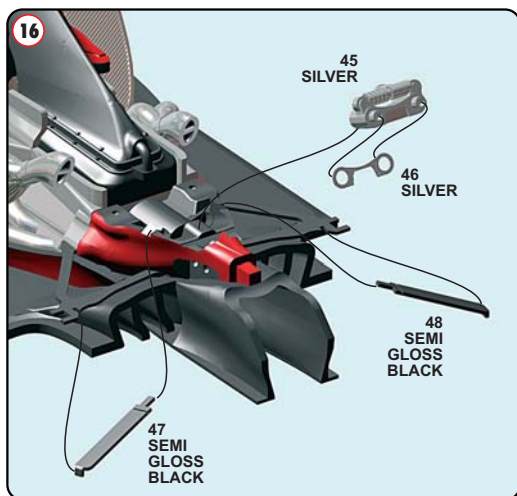
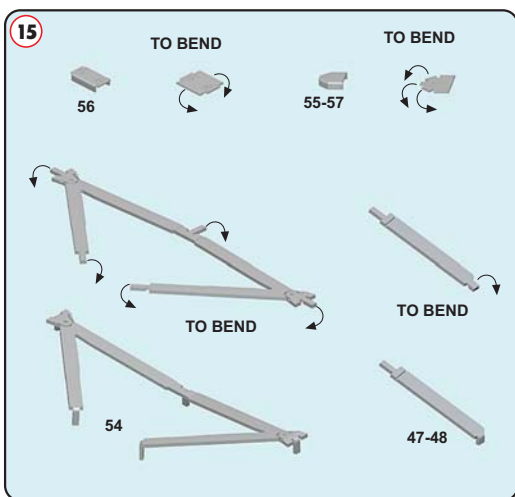
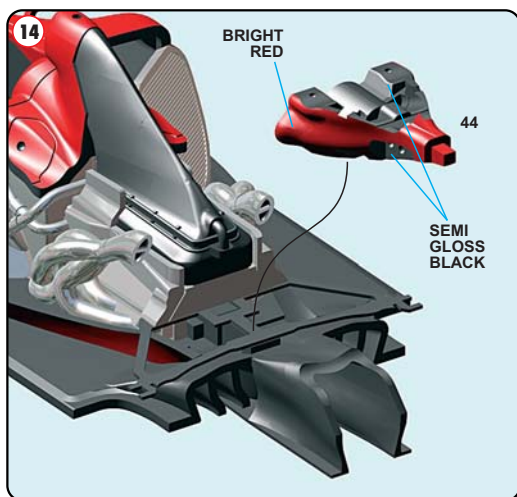
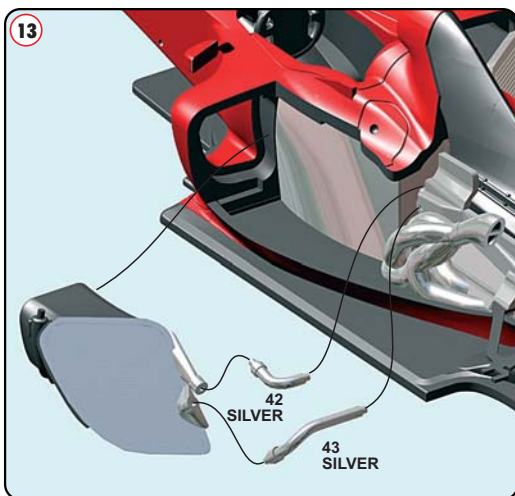
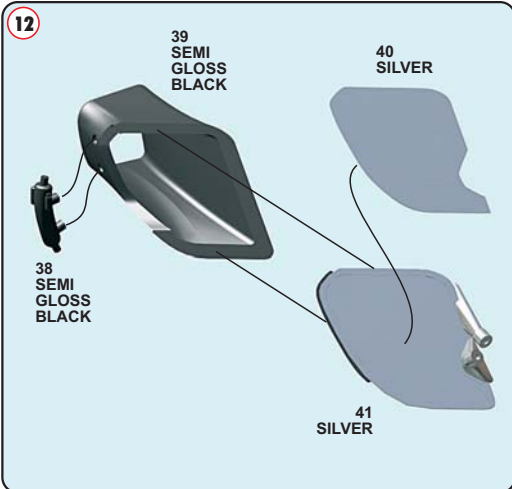


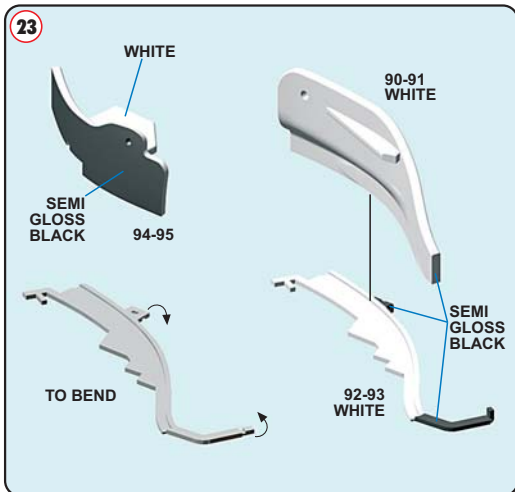
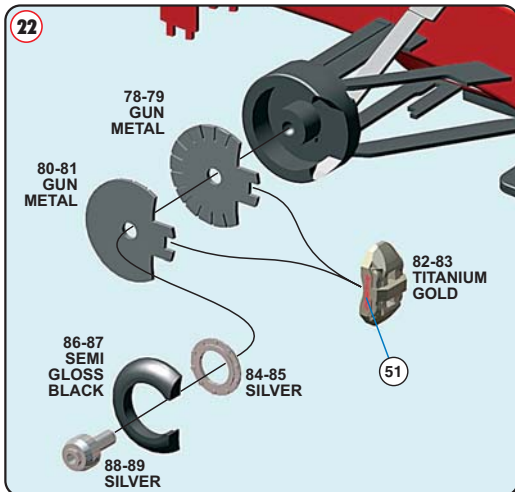
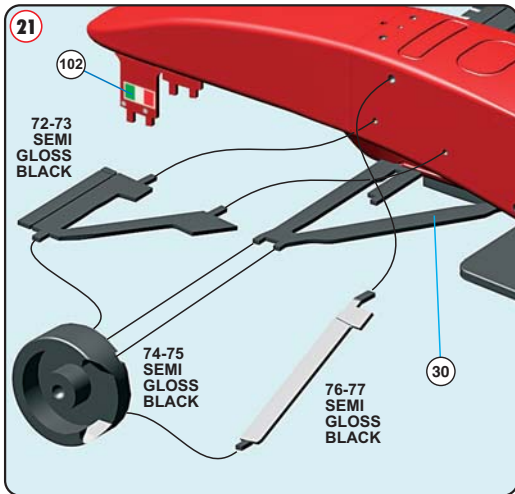
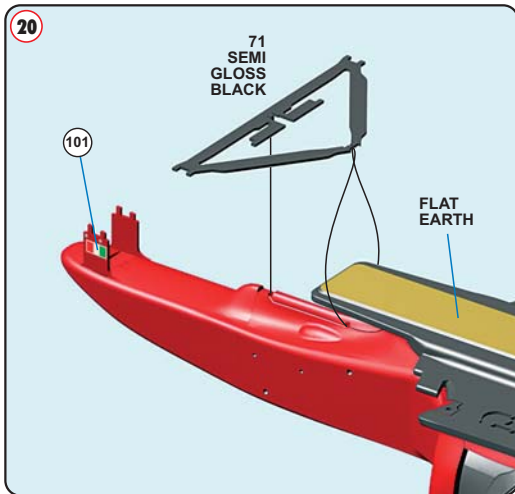
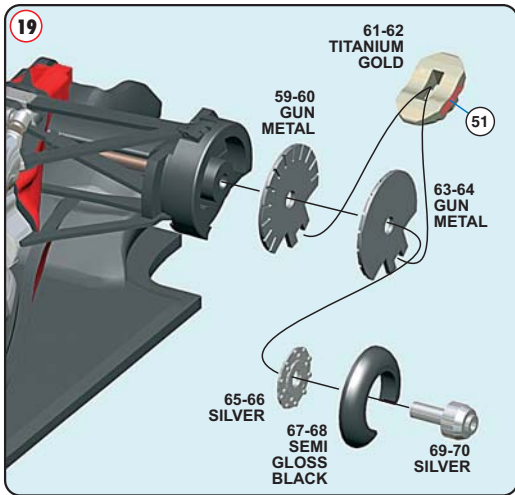
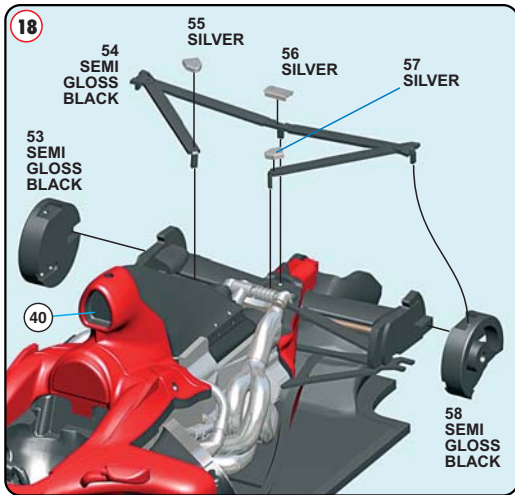
10

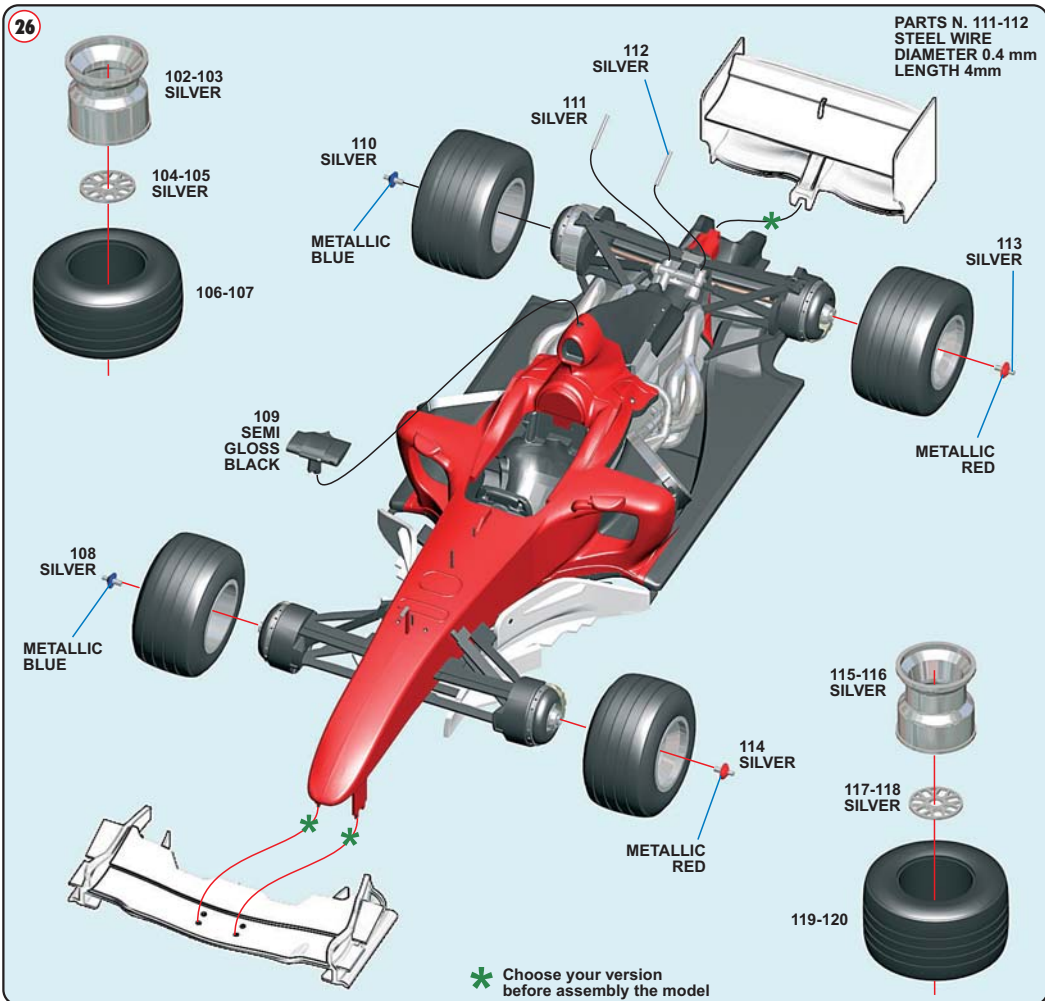
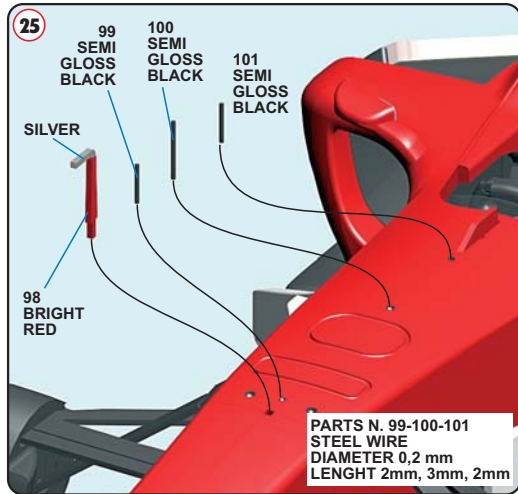
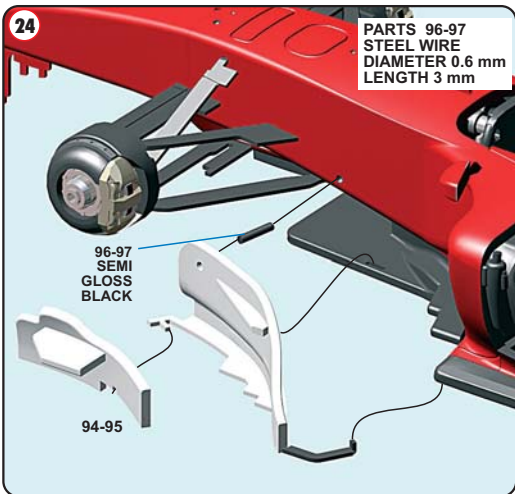


11









TMK 346 FERRARI F2004 BELGIAN G.P. 2004



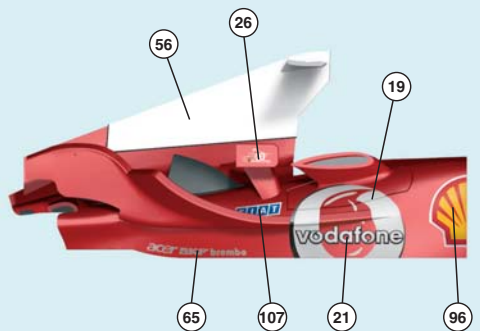
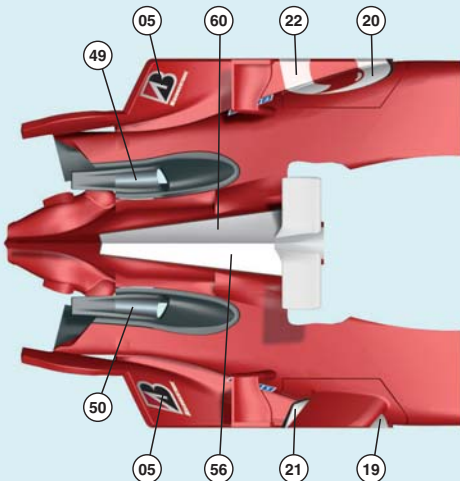
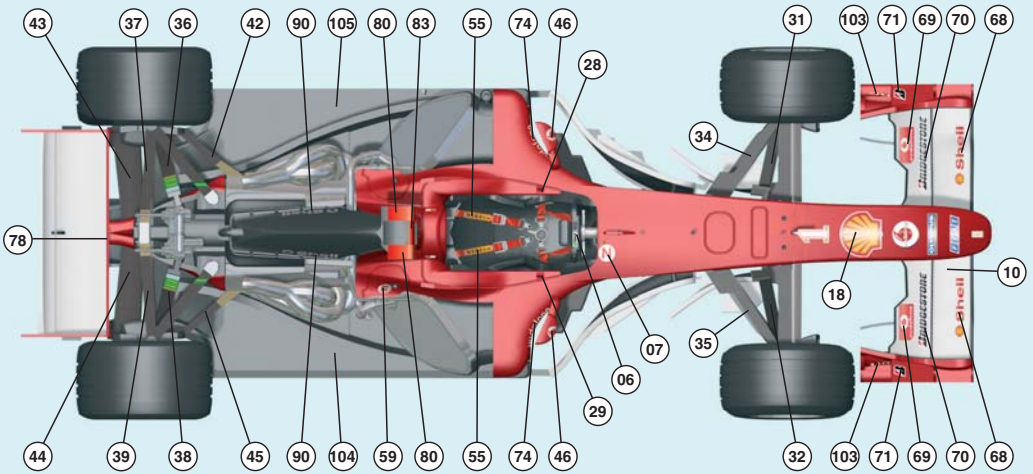
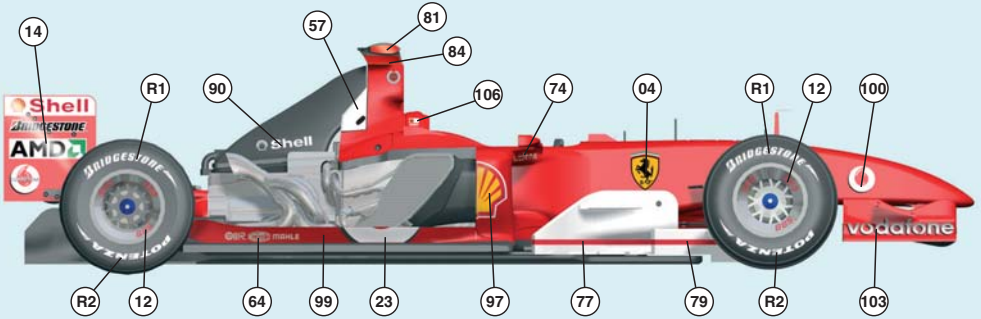
1 - M. Schumacher

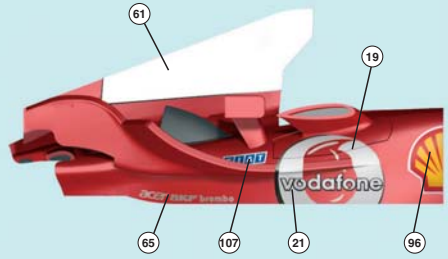
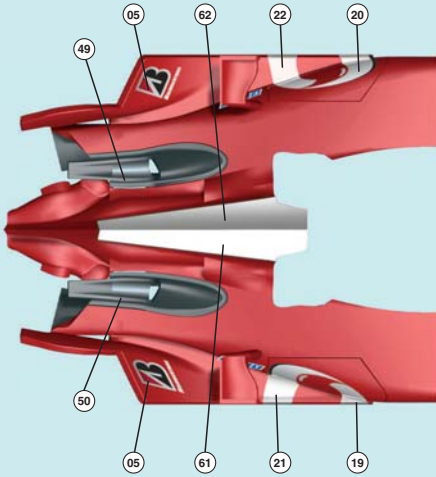
2nd





2 - R. Barrichello

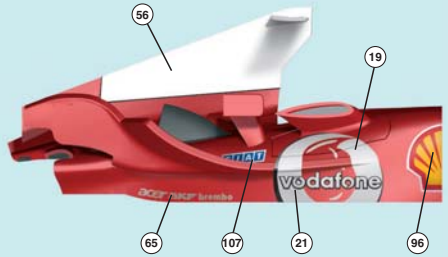
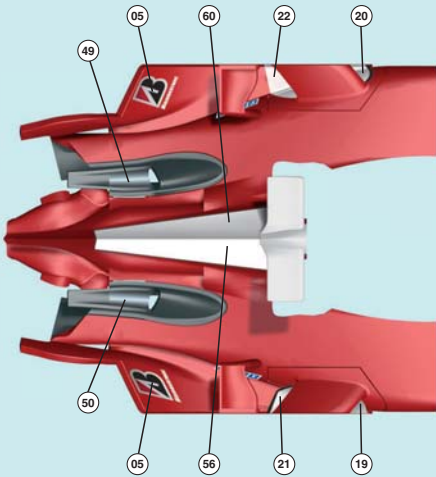
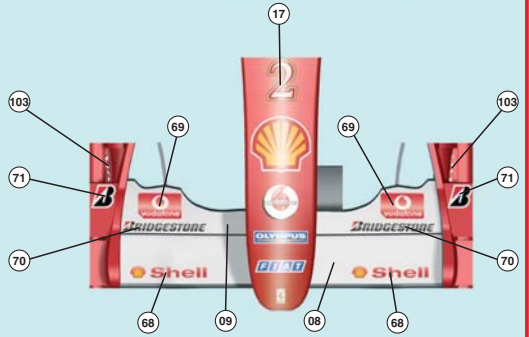
3rd







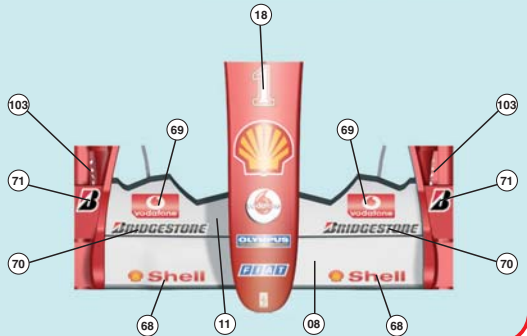
ITALIAN G.P. 2004

-  1 - M. Schumacher 2nd
-  2 - R. Barrichello 1st

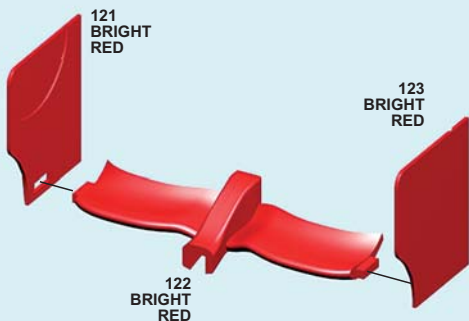


HUNGARIAN G.P. 2004

-  1 - M. Schumacher 1st
-  2 - R. Barrichello 2nd

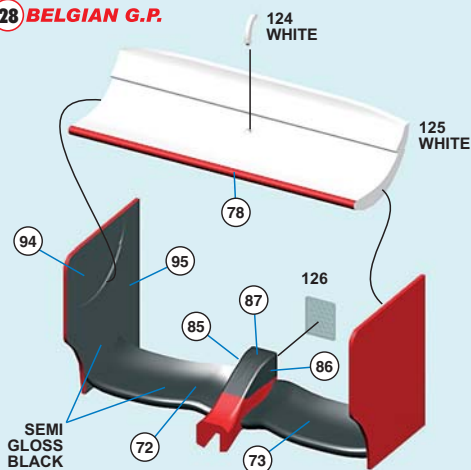


27 BELGIAN G.P.

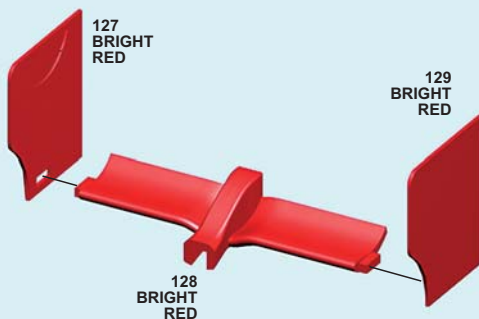


GLUE AND STICK BEFORE PAINTING

28 BELGIAN G.P.

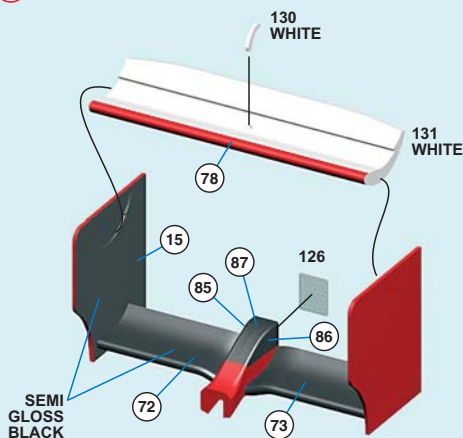


29 ITALIAN G.P.

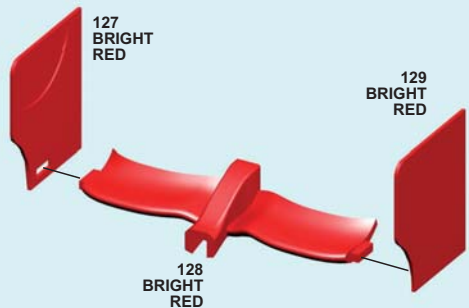


GLUE AND STICK BEFORE PAINTING

30 ITALIAN G.P.

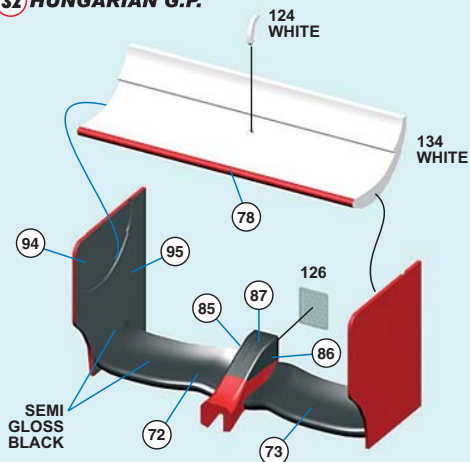


31 HUNGARIAN G.P.



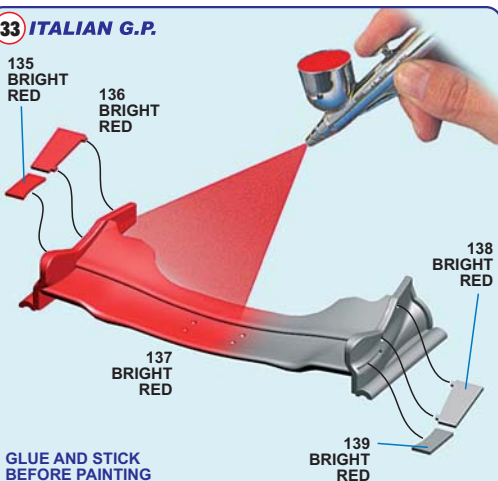
GLUE AND STICK BEFORE PAINTING

32 HUNGARIAN G.P.



33 ITALIAN G.P.

135 BRIGHT RED
136 BRIGHT RED



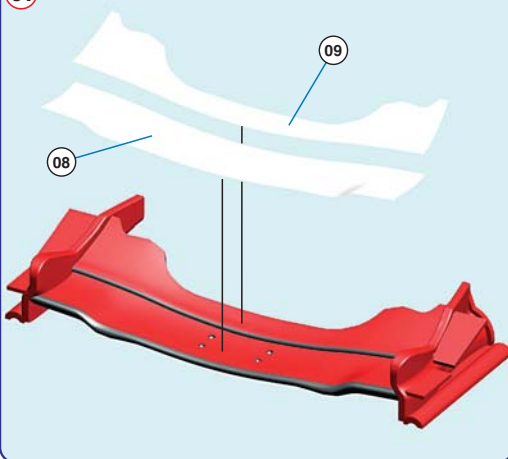
137 BRIGHT RED

138 BRIGHT RED

139 BRIGHT RED

GLUE AND STICK BEFORE PAINTING

34 ITALIAN G.P.



08

09

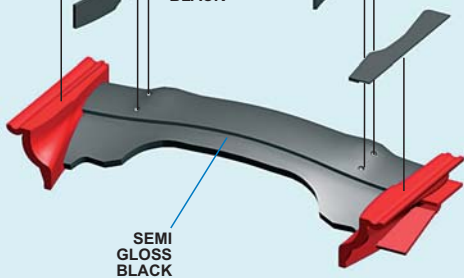
35 ITALIAN G.P.

140 SEMI GLOSS BLACK

142 SEMI GLOSS BLACK

141 SEMI GLOSS BLACK

143 SEMI GLOSS BLACK

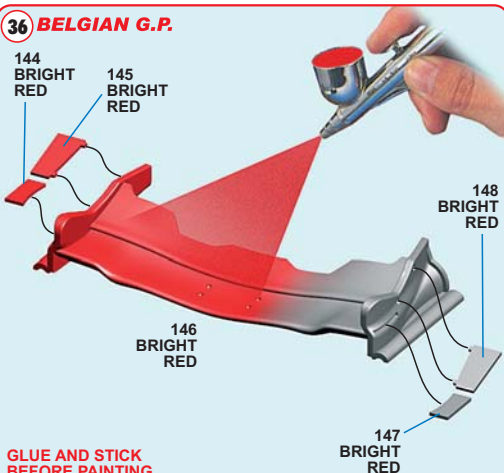


SEMI GLOSS BLACK

36 BELGIAN G.P.

144 BRIGHT RED

145 BRIGHT RED



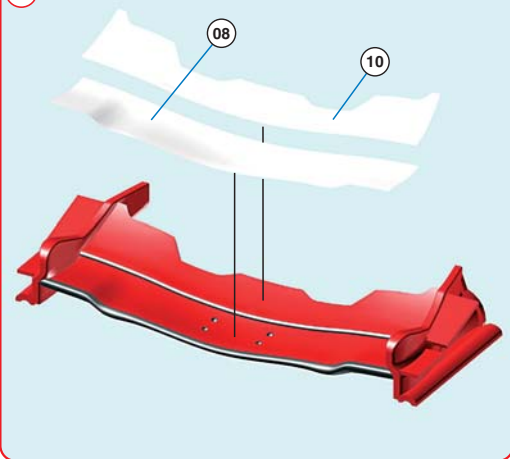
146 BRIGHT RED

148 BRIGHT RED

147 BRIGHT RED

GLUE AND STICK BEFORE PAINTING

37 BELGIAN G.P.



08

10

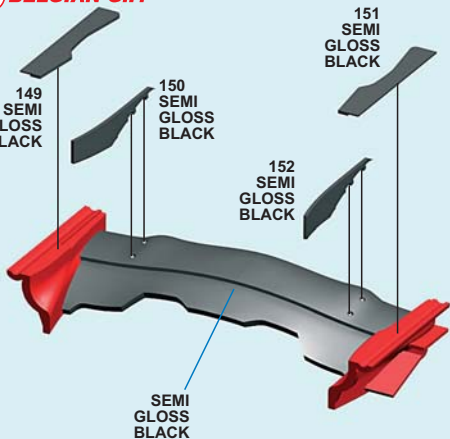
38 BELGIAN G.P.

149 SEMI GLOSS BLACK

150 SEMI GLOSS BLACK

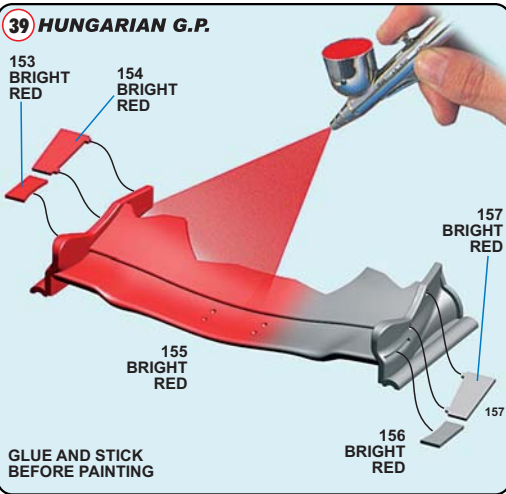
151 SEMI GLOSS BLACK

152 SEMI GLOSS BLACK

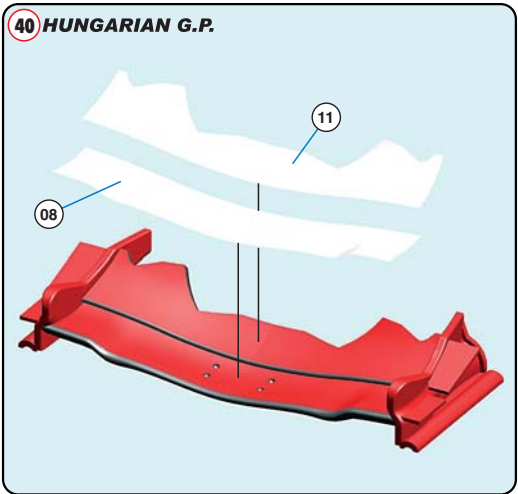


SEMI GLOSS BLACK

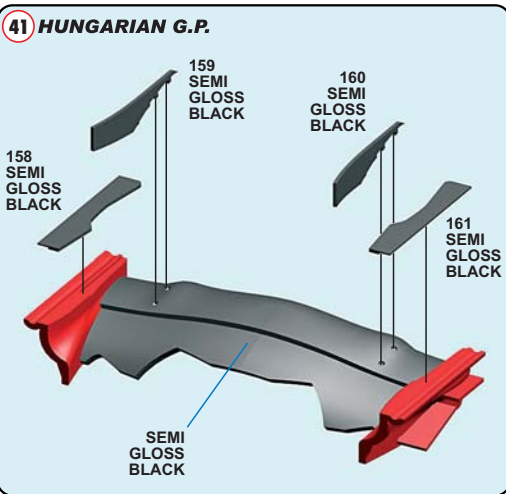
39 HUNGARIAN G.P.



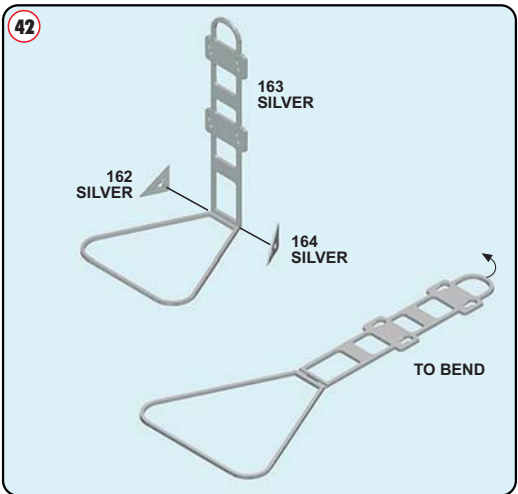
40 HUNGARIAN G.P.



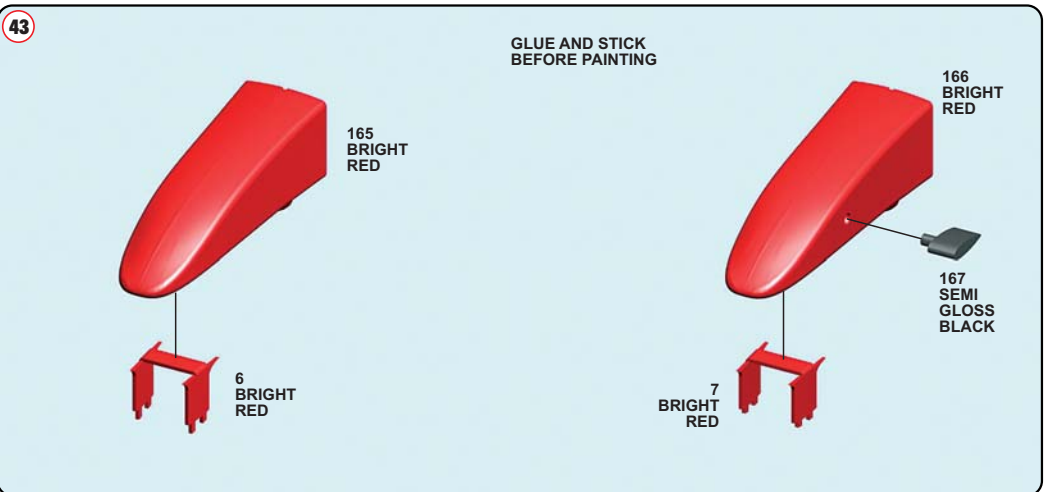
41 HUNGARIAN G.P.



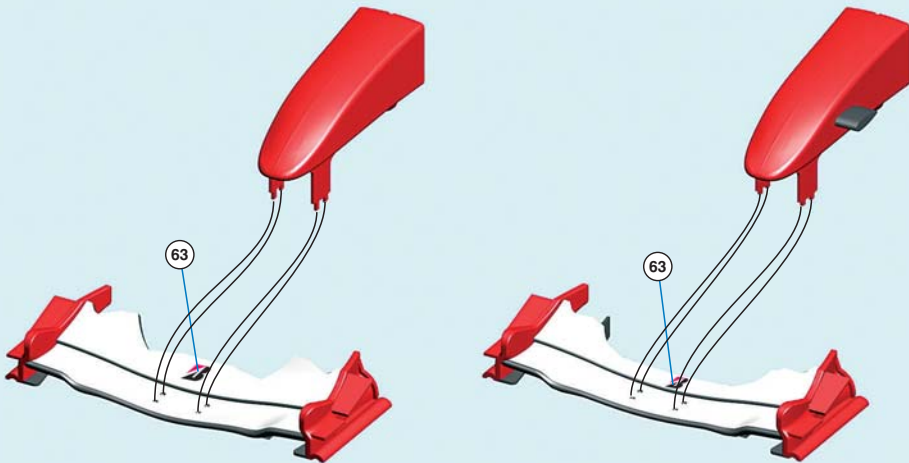
42



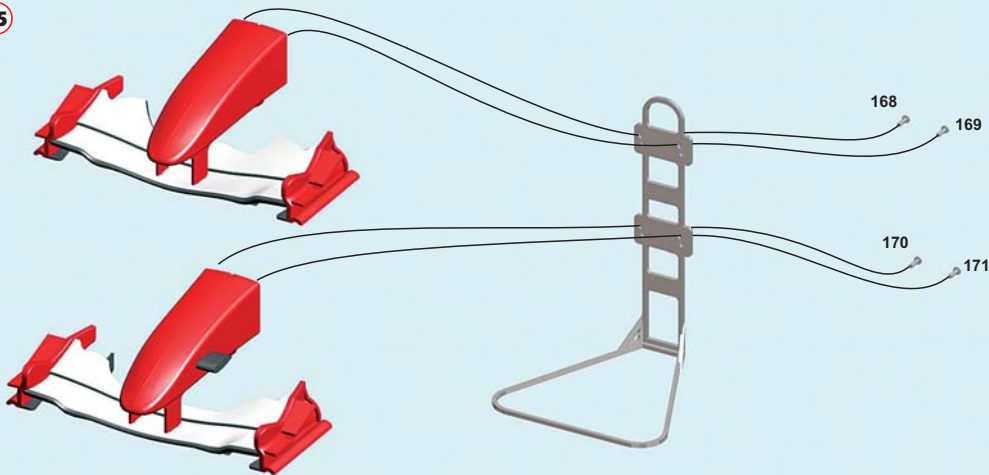
43



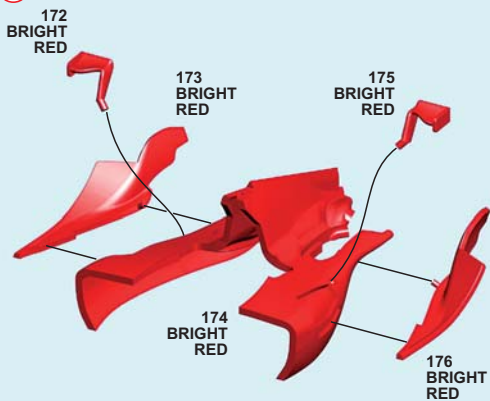
44



45

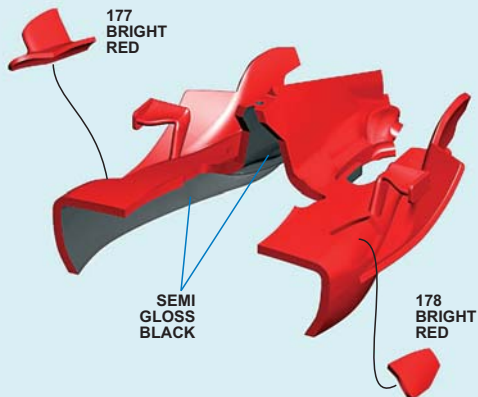


46

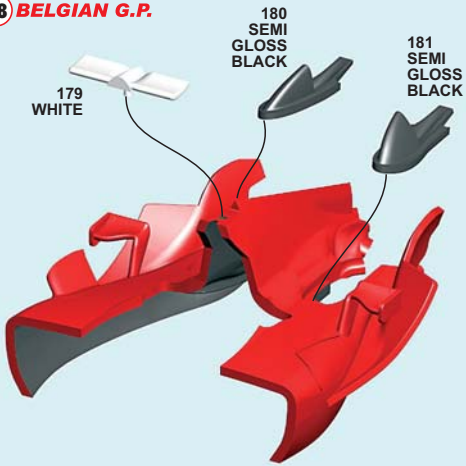


GLUE AND STICK BEFORE PAINTING

47 **BELGIAN G.P.**



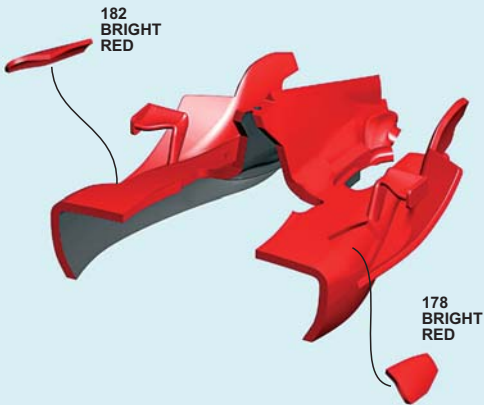
48 BELGIAN G.P.



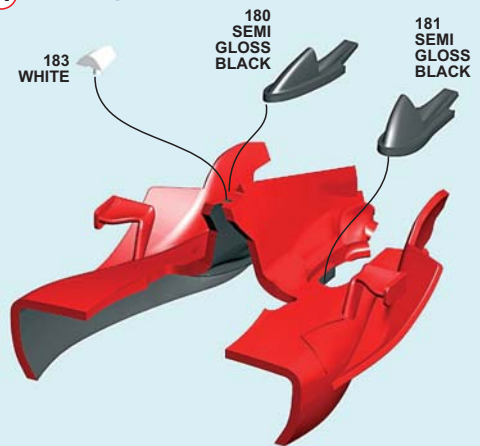
49 BELGIAN G.P.



50 ITALIAN G.P.



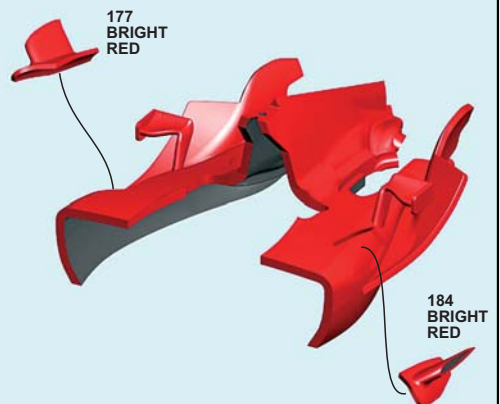
51 ITALIAN G.P.



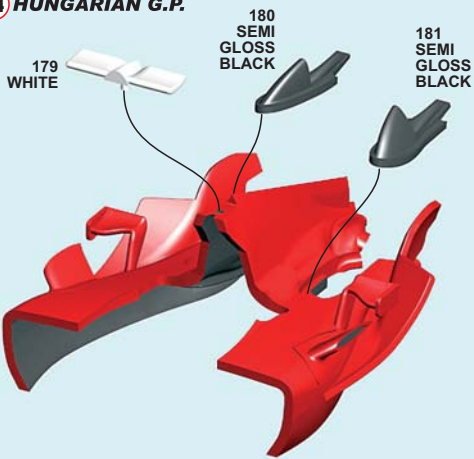
52 ITALIAN G.P.



53 HUNGARIAN G.P.



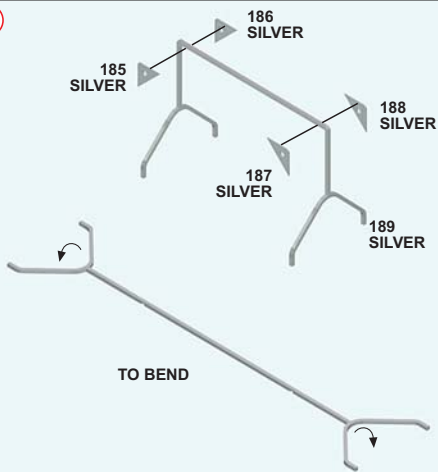
54 HUNGARIAN G.P.



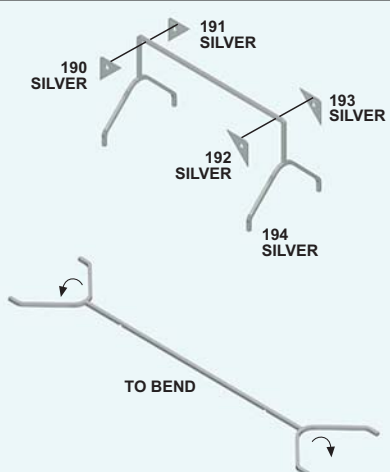
55 HUNGARIAN G.P.



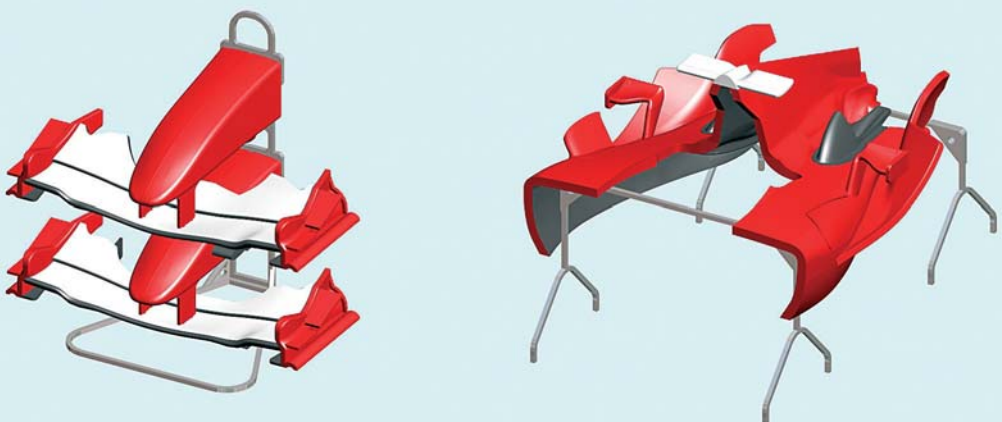
56

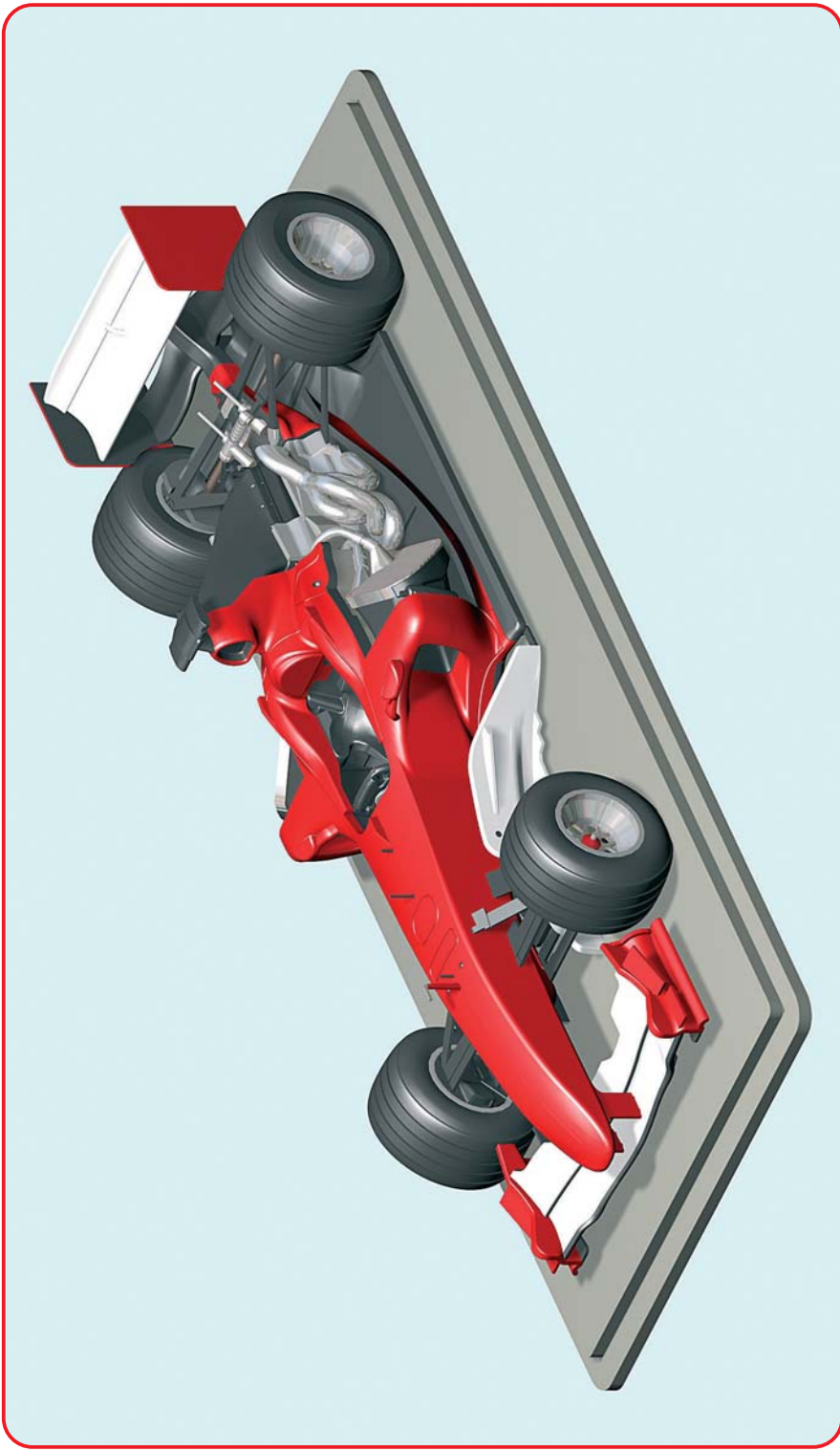


57



58





PARTS
PEZZI
STÜCKE
PIECE
PIEZAS

STEEL WIRE
FILO D' ACCIAIO
STAHLDRAHT
FIL ACIER
ALAMBRE D'ACERO

LENGHT
LUNGHEZZA
LAENGE
LONGUEUR
LARGO

DIAMETER
DIAMETRO
DURCHMESSER
DIAMETRE
DIAMETRO

TO BEND
PIEGARE
BIEGEN
PLIER
DOBLAR

GLUE AND STICK BEFORE PAINTING
INCOLLARE E STUCCARE PRIMA DELLA VERNICIATURA
VOR DER LACKIERUNG VERKLEBEN UND VERSPACHTELN
COLLER ET MASTIQUER AVANT DE VERNIR
PEGAR Y ESTUCAR ANTES DE PINTAR

CHOOSE YOUR VERSION BEFORE ASSEMBLY THE MODEL
SCEGLIERE LA VERSIONE PRIMA DI INIZIARE IL MONTAGGIO
WAHLEN SIE DIE VERSION BEVOR SIE MIT DER MONTAGE BEGINNEN
CHOISISSEZ LA VERSION AVANT DE COMMENCER L'ASSEMBLAGE
ELIJA LA VERSION ANTES DE COMENZAR EL ENSAMBLAJE