

TAMEO Kits
scale racing car models



TMK 370

FERRARI F2007

CHINA G.P. 2007

www.tameokits.com

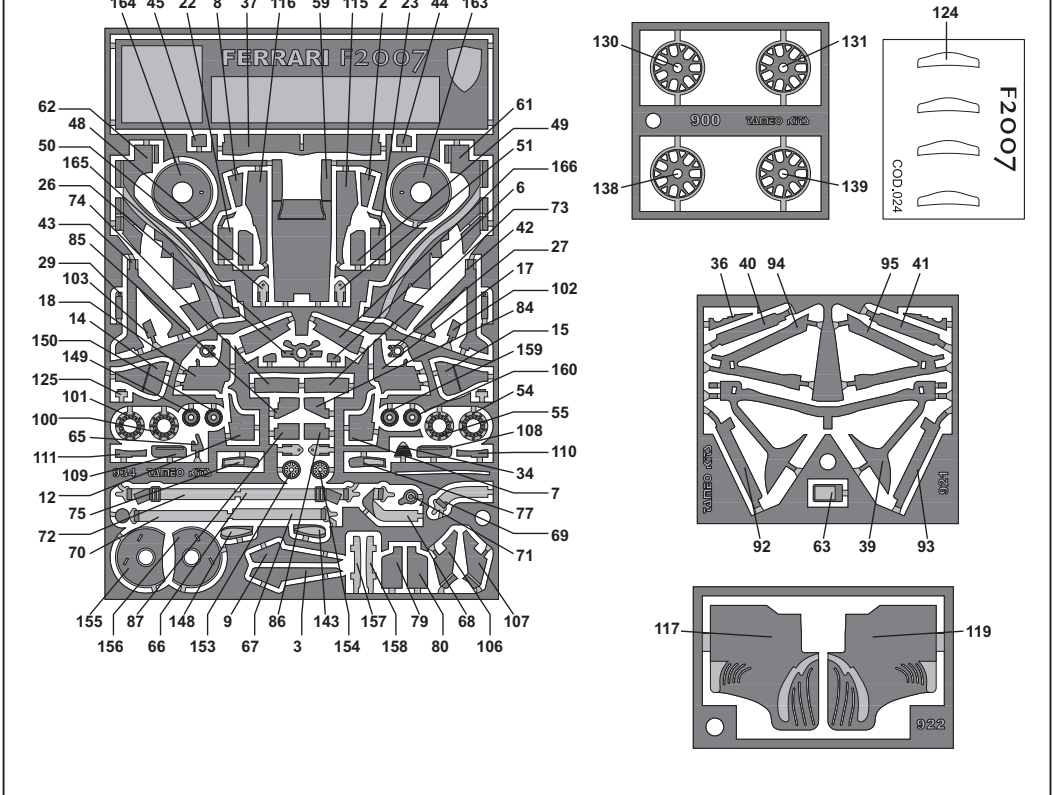
Per politica aziendale e in ottemperanza alla normativa applicabile, l'automodello contenuto nella confezione è privo di decalcomanie e adesivi riproductori loghi e marchi di proprietà di produttori del tabacco.
In compliance with company policy and applicable law provisions, the scale car model included in the packaging does not bear any decals and stickers reproducing logos and brands owned by tobacco producers.



**Colour conversion - Conversione colori - Farbenumwandlung
Conversion de couleurs - Cores conversenados**

ARGENTO SILBER ARGENT PLATA TAMIYA TS30	MICA RED ROSSO MICA GLIMMERROT ROUGE DE MICA ROJO MICA TAMIYA TS39	SEM GLOSS BLACK NERO SEMILUCIDO HALBGLANZSCHWARZ NOIR SEMI BRILLANT NEGRO SEMI BRILLANTE TAMIYA X18	ALUMINIUM ALLUMINIO ALUMINIUM ALUMINIUM ALUMINIO ALCLAD ALC101	MATT RED ROSSO OPACO MATTROT ROUGE OPAQUE ROJO MATE TAMIYA XF7	SILVER ARGENTO SILBER ARGENT PLATA TAMIYA X11	CLEAR RED ROSSO CHIARO HELLROT ROUGE CLAIR ROJO CLARO TAMIYA X27	TITANIUM GOLD ORO TITANIO TITANGOLD OR TITANIQUE ORO TITANIUM TAMIYA X31	BUFF CAMOSCIO SAEMISCHLEDER CHAMOIS ANTE TAMIYA XF57
--	--	---	--	--	---	--	--	--

**Photoetcheds - Fotoincisioni - Fotogeätzt
Photogravures - Fotograbado**



PIEGARE TO BEND BIEGEN PLIER DOBLAR	PEZZI PARTS STUECKE PIECES PIEZAS	LUNGHEZZA LENGTH LAENGE LONGUEUR LARGO	FILO D' ACCIAIO STEEL WIRE STAHLDRAHT FIL ACIER ALAMBRE D'ACERO	DIAMETRO DIAMETER DURCHMESSER DIAMETRE DIAMETRO
--	--	---	--	--

**INCOLLARE E STUCCARE PRIMA DELLA VERNICIATURA
GLUE AND STICK BEFORE PAINTING
VOR DER LACKIERUNG VERKLEBEN UND VERSPACHTELN
COLLER ET MASTIQUER AVANT DE VERNIR
PEGAR Y ESTUCAR ANTES DE PINTAR**

**BASE COAT
STRATO DI BASE
GRUNDSCHICHT
COUCHE DE BASE
CAPA DE BASE**

**METAL TRANSFER
TRASFERIBILE DI METALLO
METALLUEBERTRAGUNG
TRASFERT EN METAL
TRANSFERENCIA DE METAL**

TAMEO KITS srl

Via Valle, 111 - P.O. Box 61
17022 BORGIO VEREZZI SV ITALY
Tel. 39 019 - 615.250
Fax. 39 019 - 615.310

www.tameokits.com
sales@tameokits.com
technical@tameokits.com

Made in Italy. Modello per collezionisti in scala 1/43. Vietata la vendita ai minori di 14 anni. Nocivo per ingestione. Conservare fuori dalla portata dei bambini. Tameo Kits declina ogni responsabilità per un uso improprio del prodotto.

Made in Italy. Collector 1/43 Scale Models. Not for sale to persons under 14 years of age. Dangerous if swallowed. Keep out of reach of children. Tameo Kits not held responsible for any damage or injury resulting from improper use of the product.

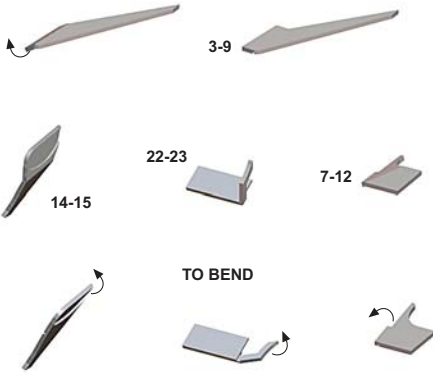
Made in Italy. Modèle pour collectionneurs échelle 1/43. Vente interdite aux enfants de moins de 14 ans. Dangereux si avalé. Conservé hors de la portée des enfants. Tameo Kits décline toute responsabilité dans le cas de dommages dérivants de l'usage non approprié du produit.

Made in Italy. Sammlermodell im Massstab 1/43. Verkauf an Jugendliche unter 14 Jahren verboten. Schädlich bei Verschlucken. Tameo Kits lehnt jede Verantwortung bei unsachgemäßer Benutzung des Produktes ab.

Hecho en Italia. Colección de modelos a escala 1/43. Prohibida la venta a menores de 14 años. No comestible. Mantener fuera del alcance de los niños. Tameo Kits no se hace responsable de los daños causados por el uso incorrecto de este producto.

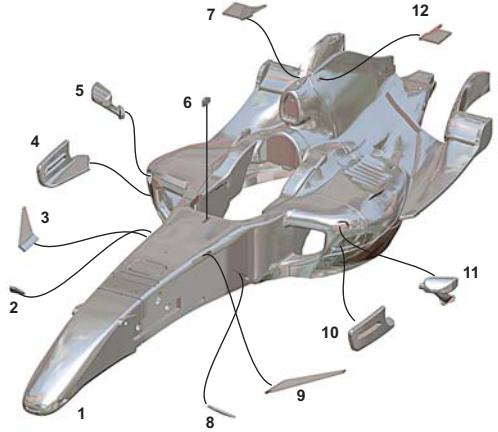
1

TO BEND

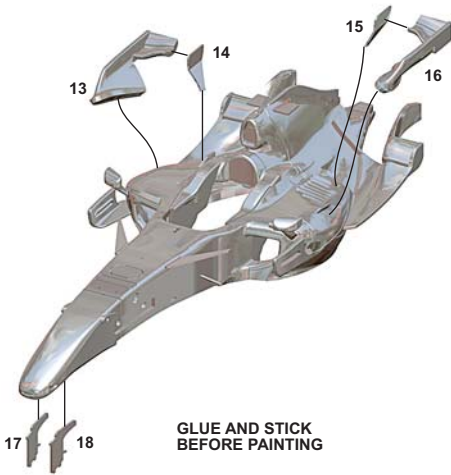


2

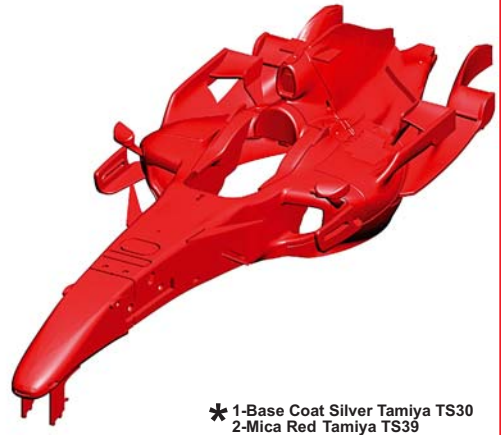
GLUE AND STICK BEFORE PAINTING



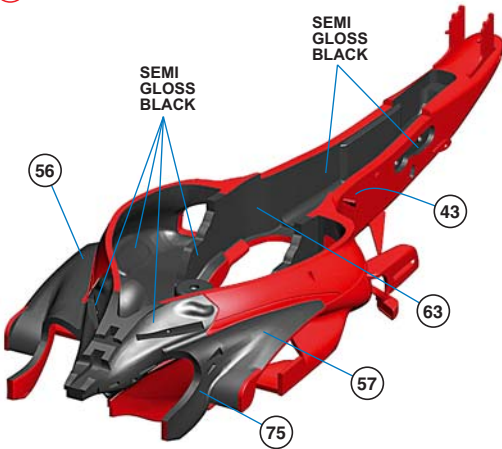
3



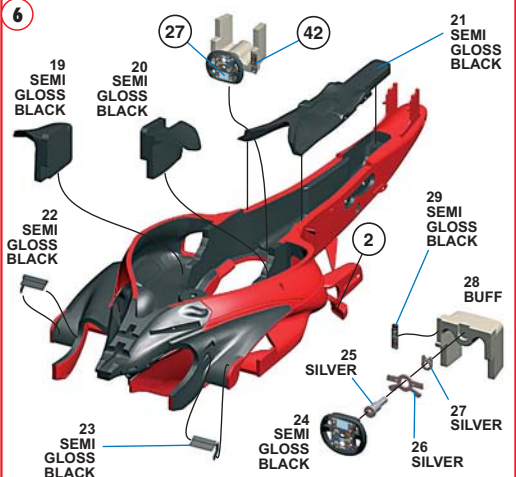
4



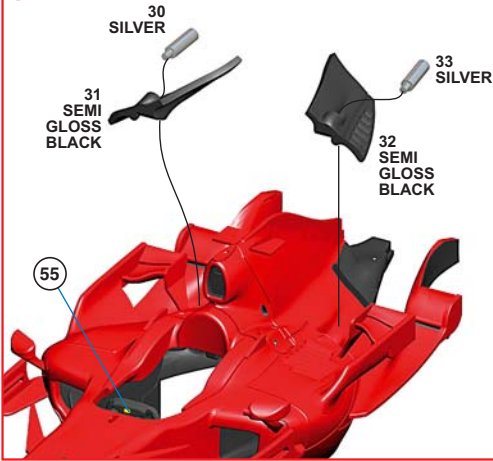
5



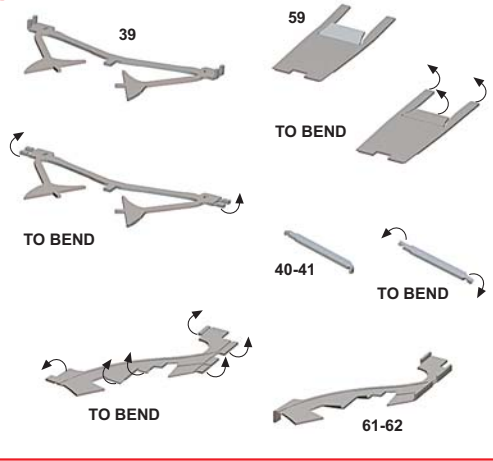
6



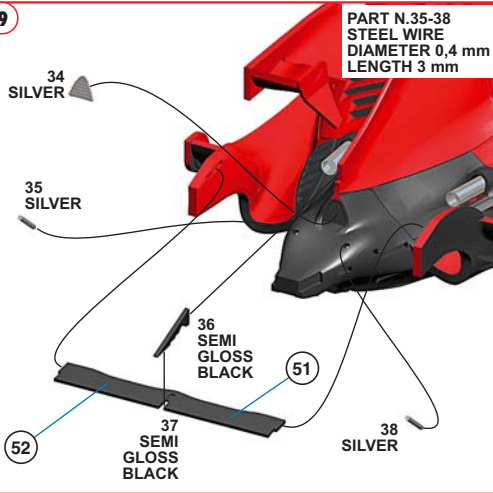
7



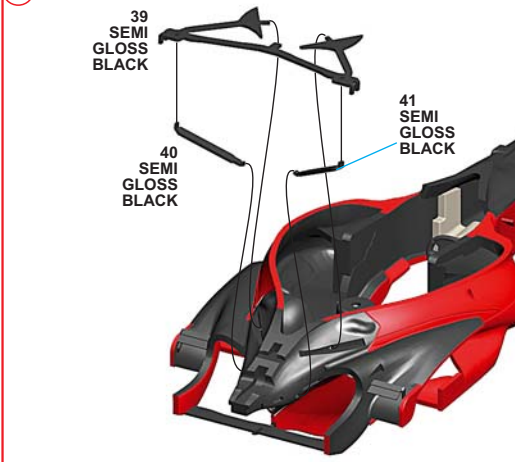
8



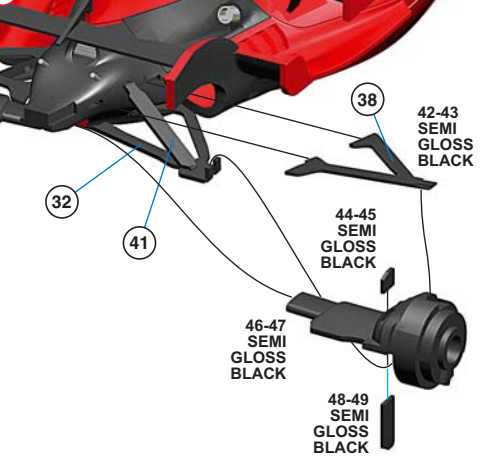
9

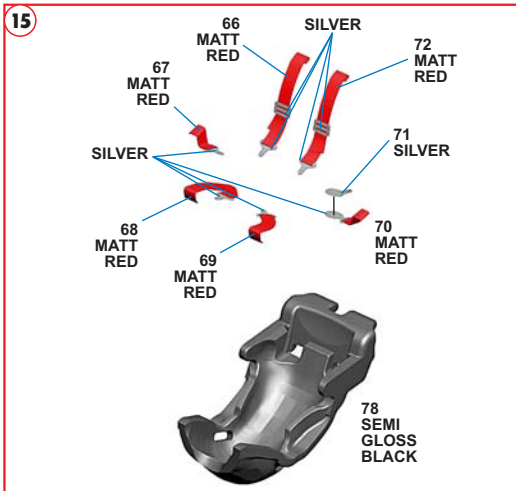
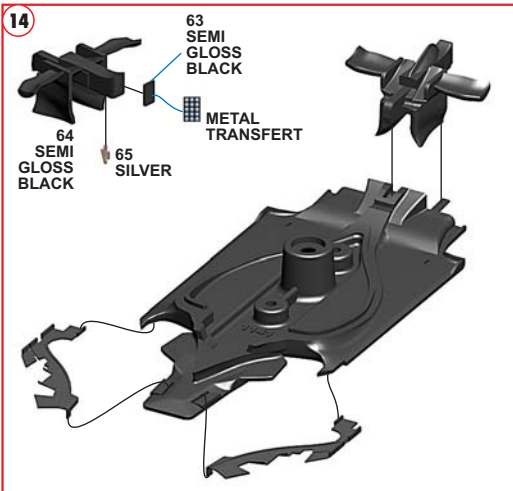
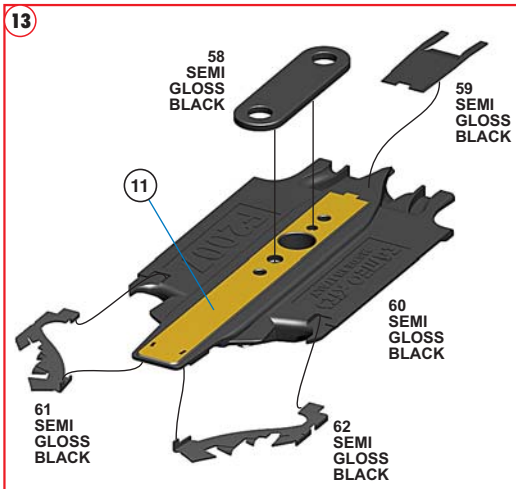
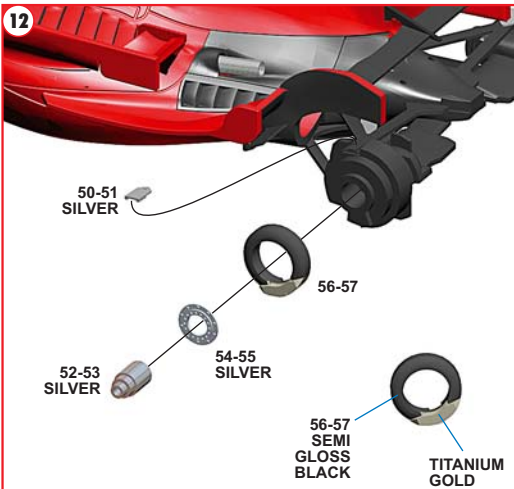


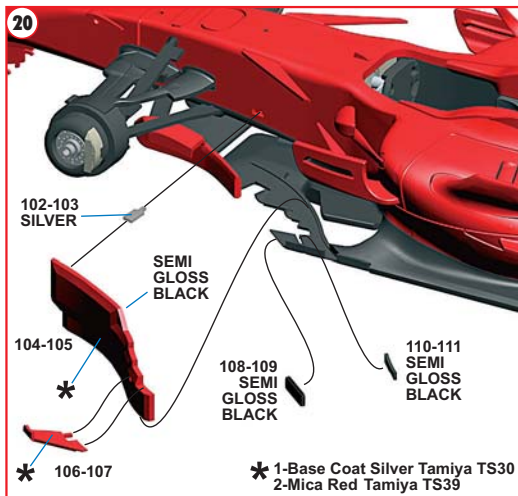
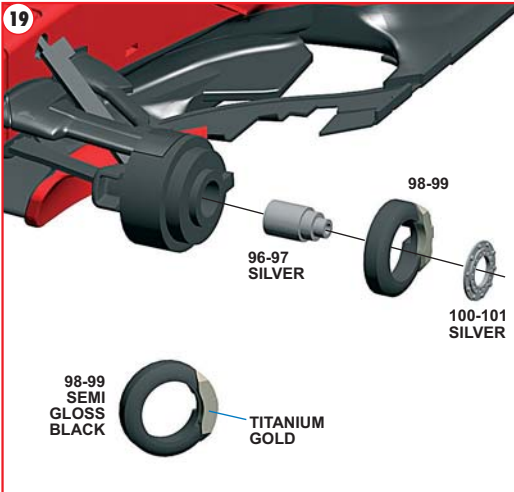
10



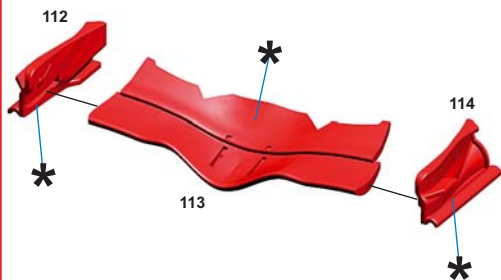
11





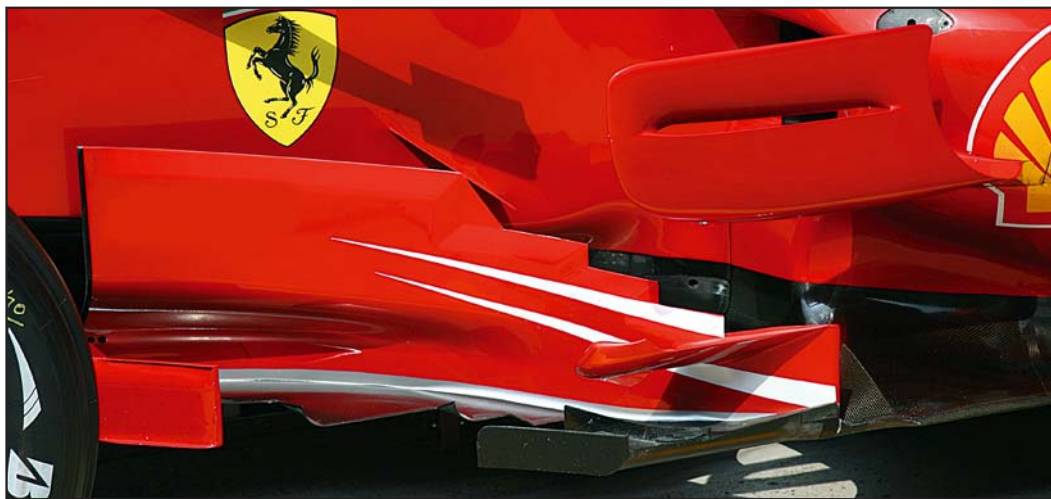
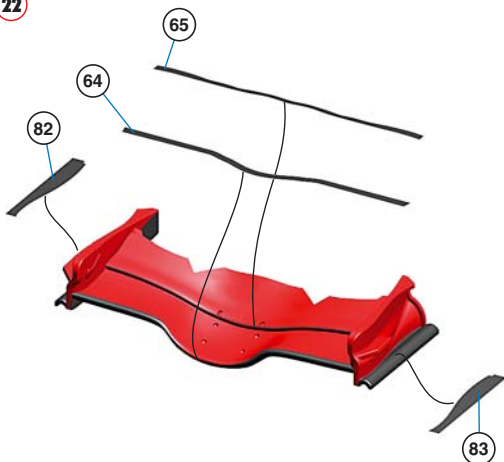


21

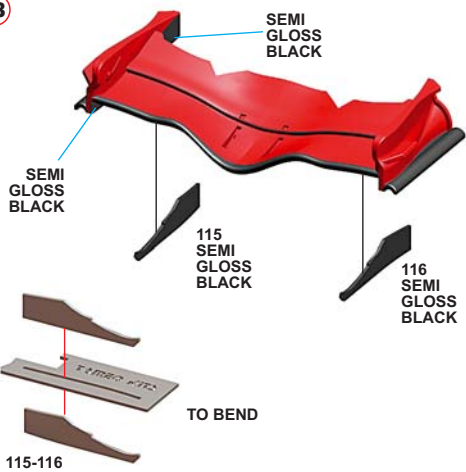


* 1-Base Coat Silver Tamiya TS30
2-Mica Red Tamiya TS39

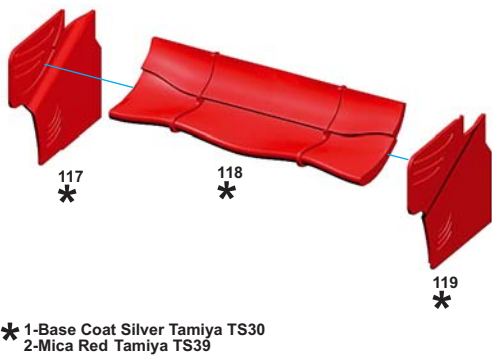
22



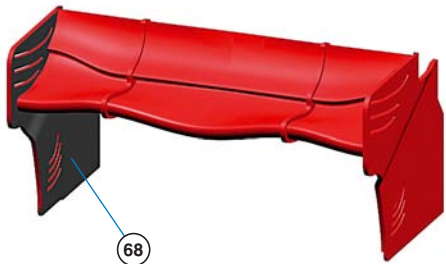
23



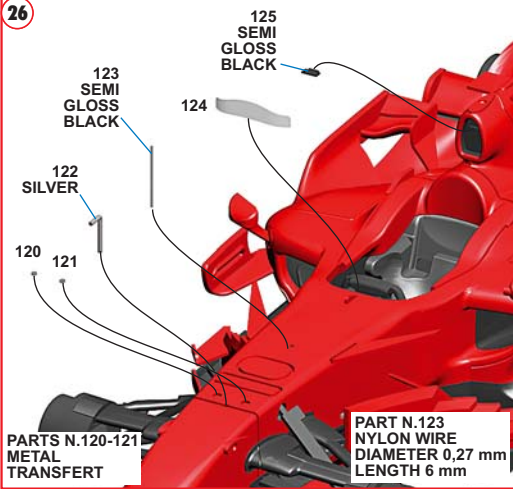
24



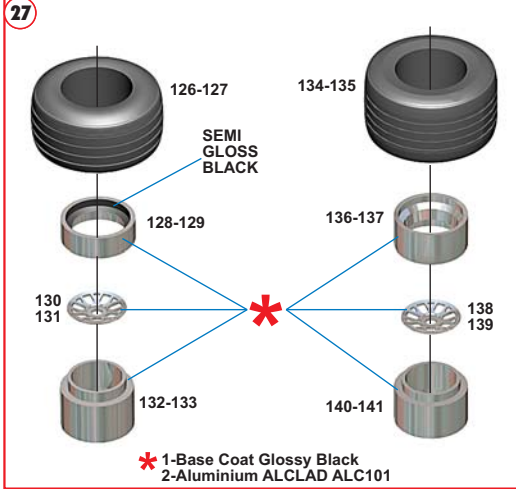
25



26

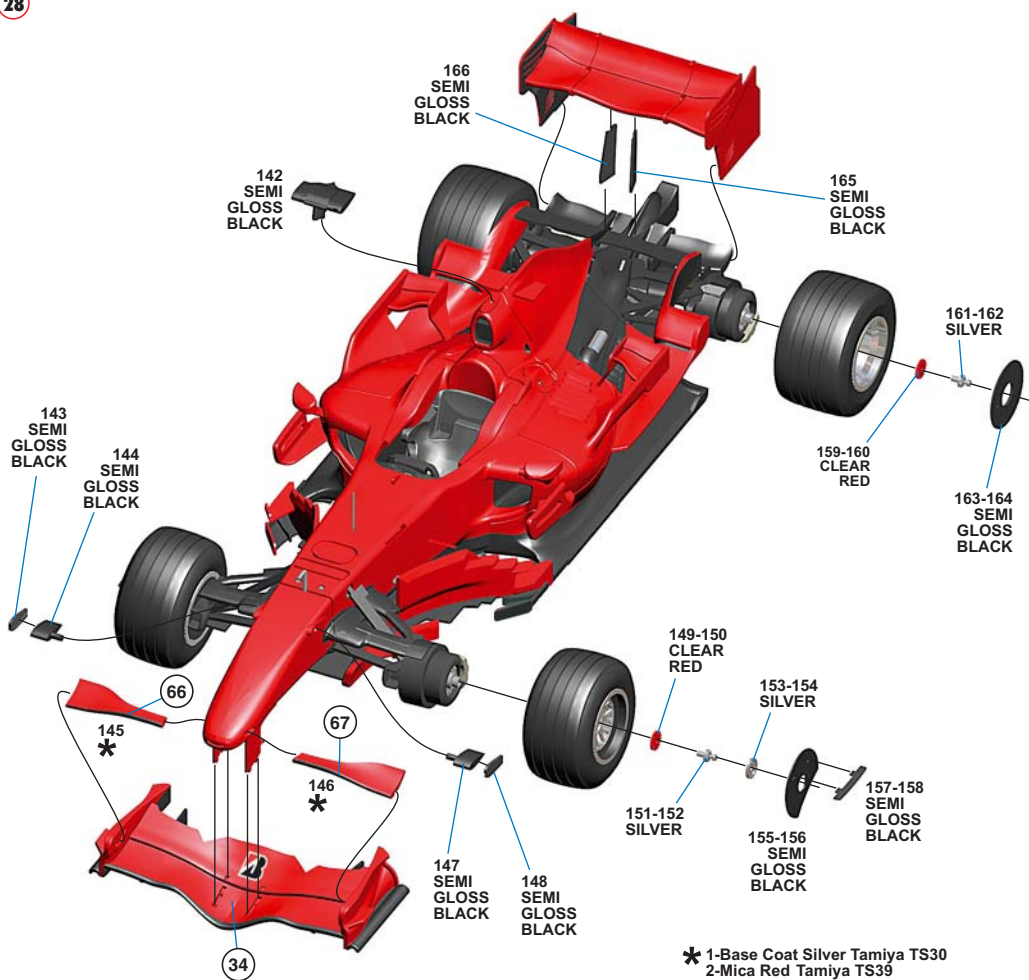


27





28



TMK 370 FERRARI F2007 CHINA G.P. 2007

 5 - F. Massa 3rd

 6 - K. Raikkonen 1st

