

TAMEO KITS
scale racing car models



TMK 385

FERRARI F60

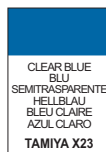
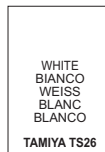
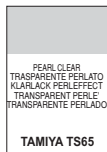
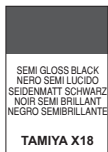
BELGIAN G.P. 2009

www.tameokits.com

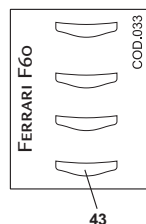
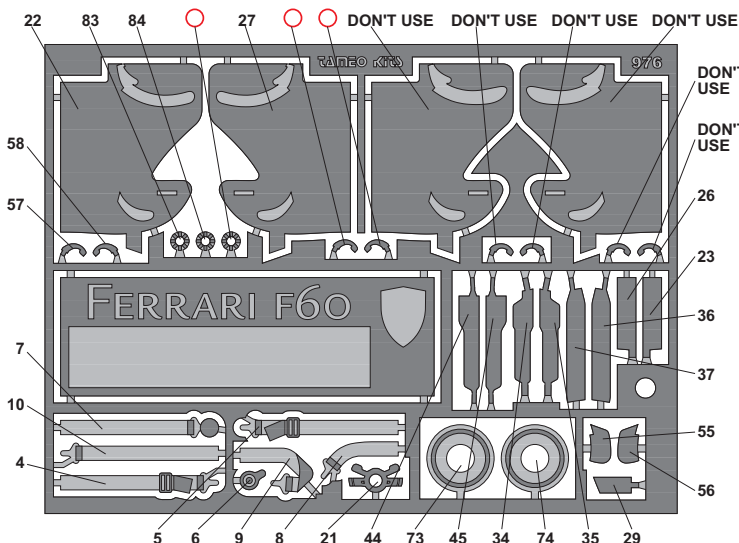
Per politica aziendale e in ottemperanza alla normativa applicabile, l'automodello contenuto nella confezione è privo di decalcomanie e adesivi riproductenti loghi e marchi di proprietà di produttori di tabacco.
In compliance with company policy and applicable law provisions, the scale car model included in the packaging does not bear any decals and stickers reproducing logos and brands owned by tobacco producers.



Colour conversion - Conversione colori - Farbenumwandlung Conversion de couleurs - Colores conversiónados



Photoetcheds - Fotoincisioni - Fotogeaetzt Photogravures - Fotograbado



Spare parts
Pezzi di ricambio
Pièces de rechange
Ersatzteile
Piezas de repuesto

STICK
STUCCARE
KIT
MASTIQUER
ESTUCAR

GLUE AND STICK BEFORE PAINTING
INCOLLARE E STUCCARE PRIMA DELLA VERNICIATURA
VOR DER LACKIERUNG VERKLEBEN UND VERSPACHTELN
COLLER ET MASTIQUER AVANT DE VERNIR
PEGAR Y ESTUCAR ANTES DE PINTAR

ONLY FOR
SOLO PER
NUR FUER
SEULEMENT POUR
SOLO PARA

BASE COAT
STRATO DI BASE
GRUNDSCHICHT
COUCHE DE BASE
CAPA DE BASE

TO BEND
PIEGARE
BIEGEN
PLIER
DOBLAR

PARTS
PEZZI
STUECKE
PIÈCE
PIEZAS

FILO DI RAME
COPPER WIRE
KUPFERDRAHT
FIL CUIVRE
ALAMBRE DE COBRERO

DIAMETER
DIAMETRO
DURCHMESSER
DIAMETRE
DIAMETRO

LENGTH
LUNGHEZZA
LAENGE
LONGUEUR
LARGO

DO NOT USE
NON USARE
NICHT BENUTZEN
NE PAS EMPLOYER
NO USAR

Ferrari
OFFICIAL LICENSED PRODUCT

Produced under license of Ferrari SpA.
FERRARI, the PRANCING HORSE device, all associated logos and distinctive designs are trademarks of Ferrari SpA.
The body designs of the Ferrari cars are protected as Ferrari property under design, trademark and trade dress regulations

Made in Italy. Modello per collezionisti in scala 1/43. Vietata la vendita ai minori di 14 anni. Nocivo per ingestione.
Conservare fuori dalla portata dei bambini. Tameo Kits declina ogni responsabilità per un uso improprio del prodotto.

Made in Italy. Collector 1/43 Scale Models. Not for sale to persons under 14 years of age. Dangerous if swallowed.
Keep out of reach of children. Tameo Kits not held responsible for any damage or injury resulting from improper use of the product.

Made in Italy. Modèle pour collectionneurs échelle 1/43. Vente interdite aux enfants de moins de 14 ans.
Dangerueux si avalé. Conserver hors de la portée des enfants. Tameo Kits décline toute responsabilité dans le cas de dommages dérivants de l'usage non approprié du produit.

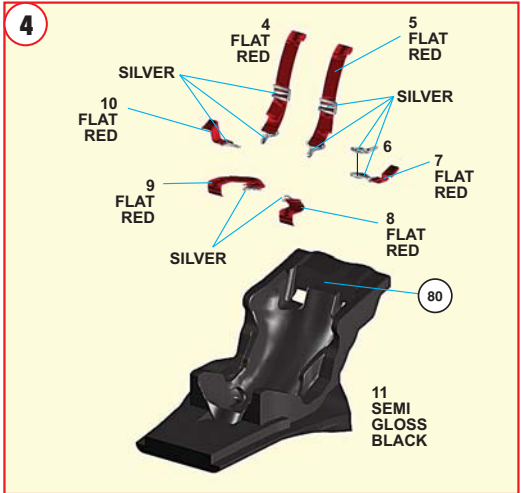
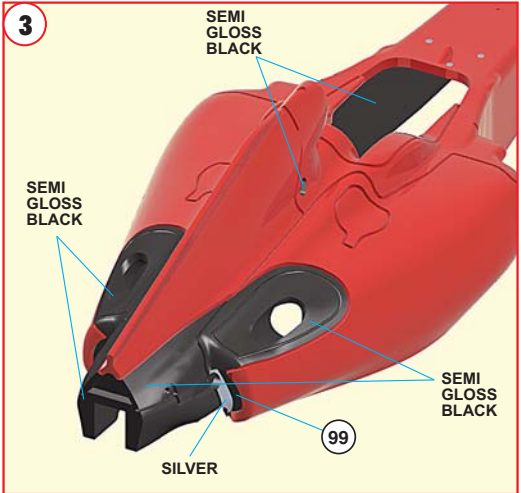
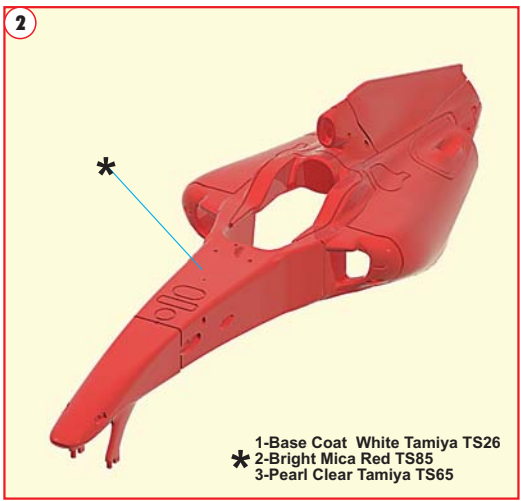
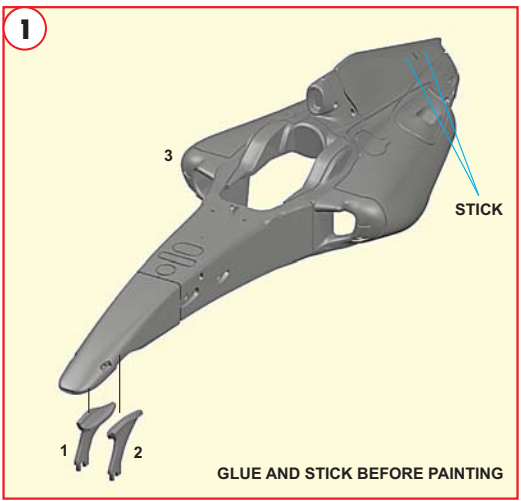
Made in Italy. Sammlermodell im Massstab 1/43. Verkauf an Jugendliche unter 14 Jahren verboten.
Schädlich bei Verschlucken. Tameo Kits lehnt jede Verantwortung bei unsachgemässer Benutzung des Produktes ab.

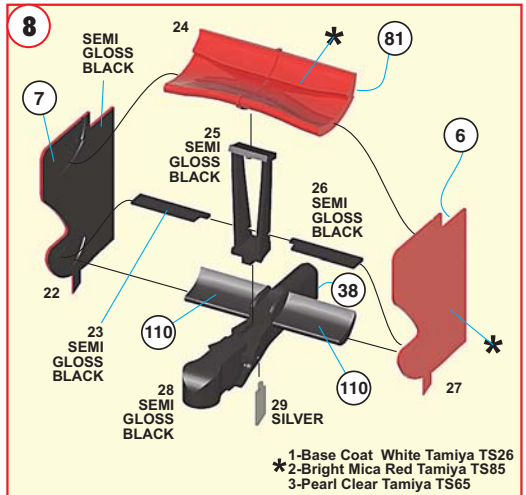
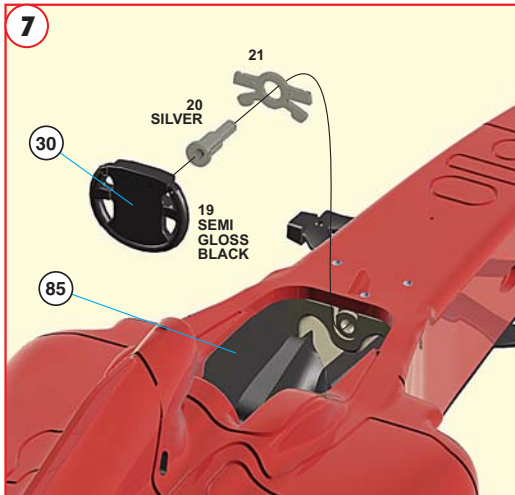
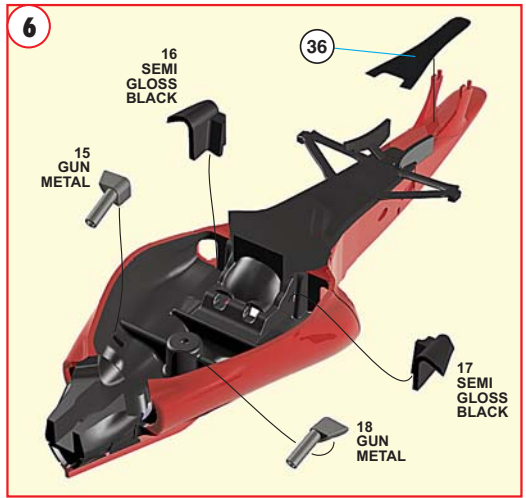
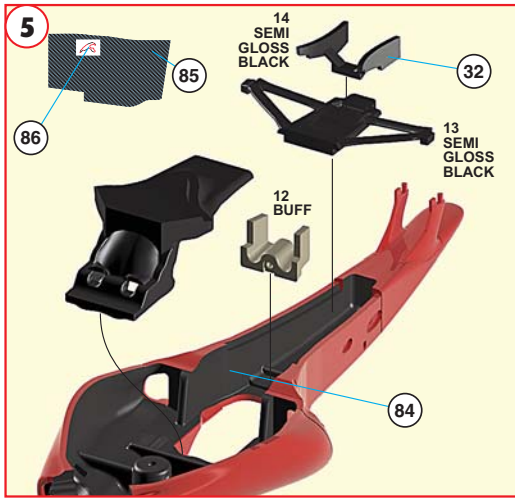
Hecho en Italia. Colección de modelos a escala 1/43. Prohibida la venta a menores de 14 años.
No comestible. Mantener fuera del alcance e de los niños. Tameo Kits no se hace responsable de los daños causados por el uso incorrecto de este producto.

TAMEO KITS srl

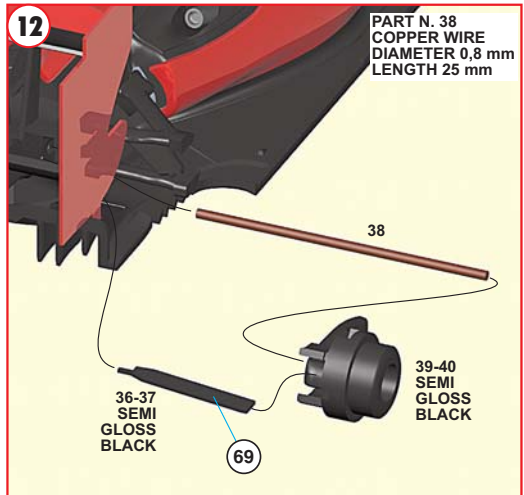
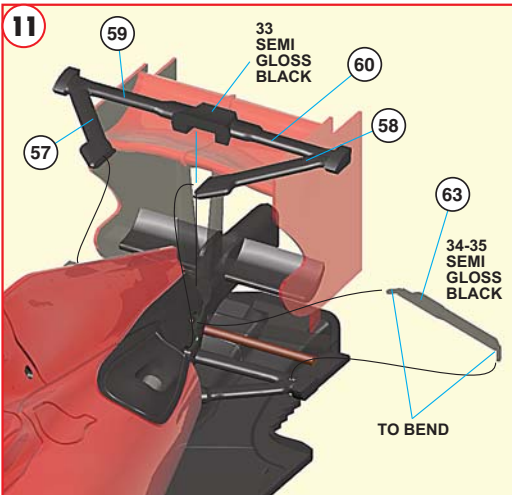
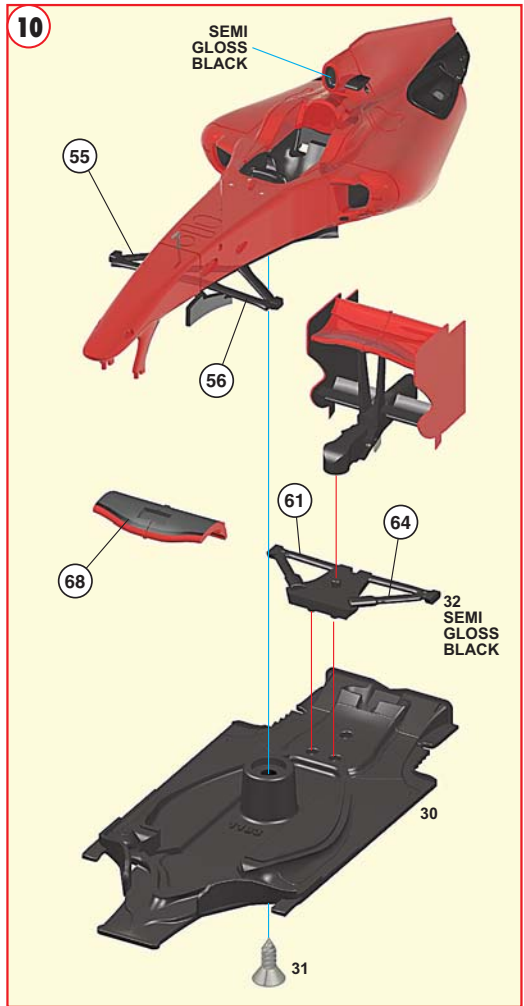
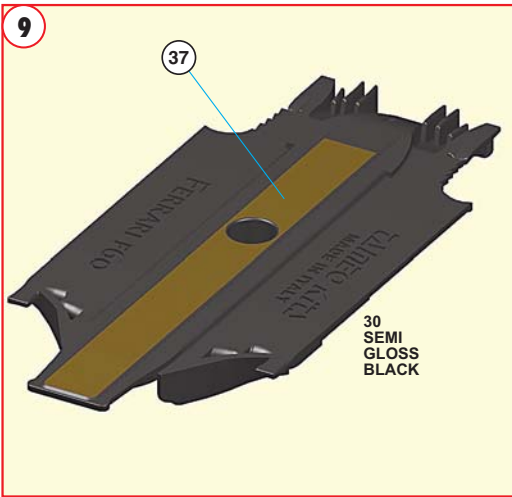
Via Valle, 111 - P.O. Box 61
17022 BORGIO VEREZZI SV ITALY
Tel. 39 019 - 615.250 Fax. 39 019 - 615.310

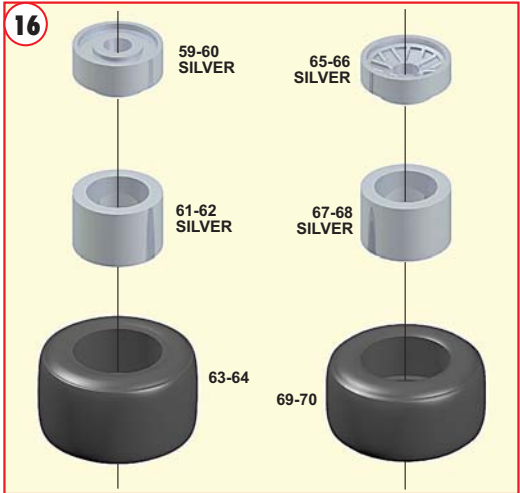
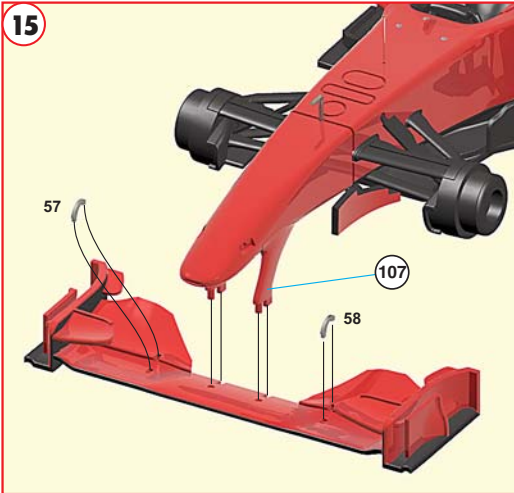
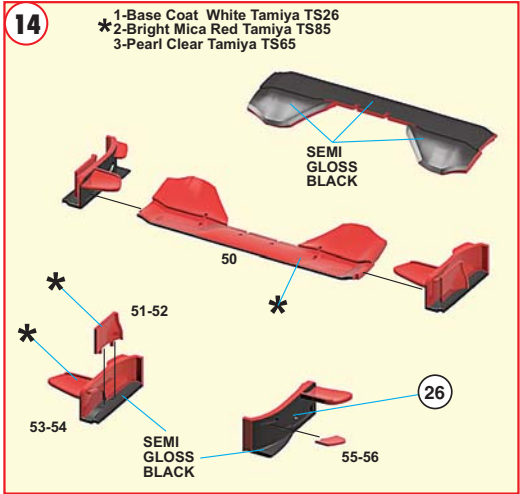
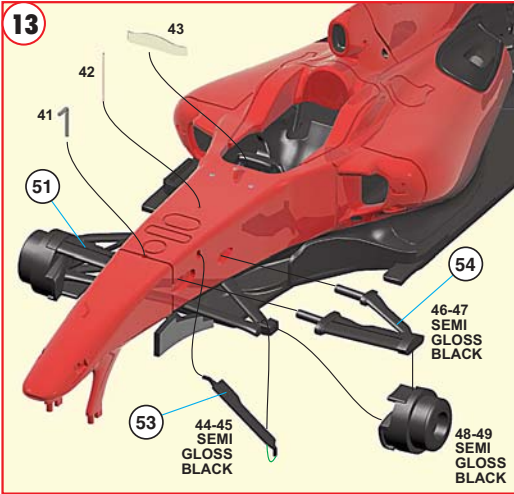
website www.tameokits.com
e-mail sales@tameokits.com
e-mail technical@tameokits.com





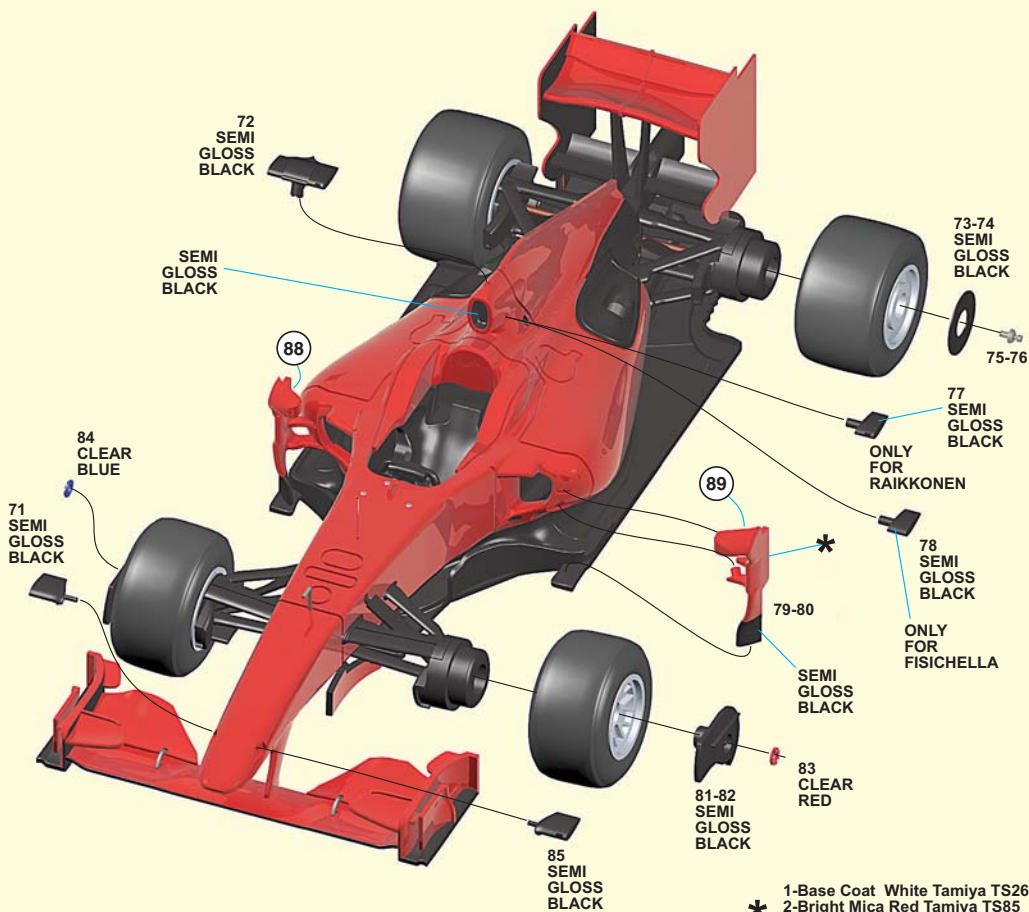
1-Base Coat White Tamiya TS26
 *2-Bright Mica Red Tamiya TS85
 3-Pearl Clear Tamiya TS65



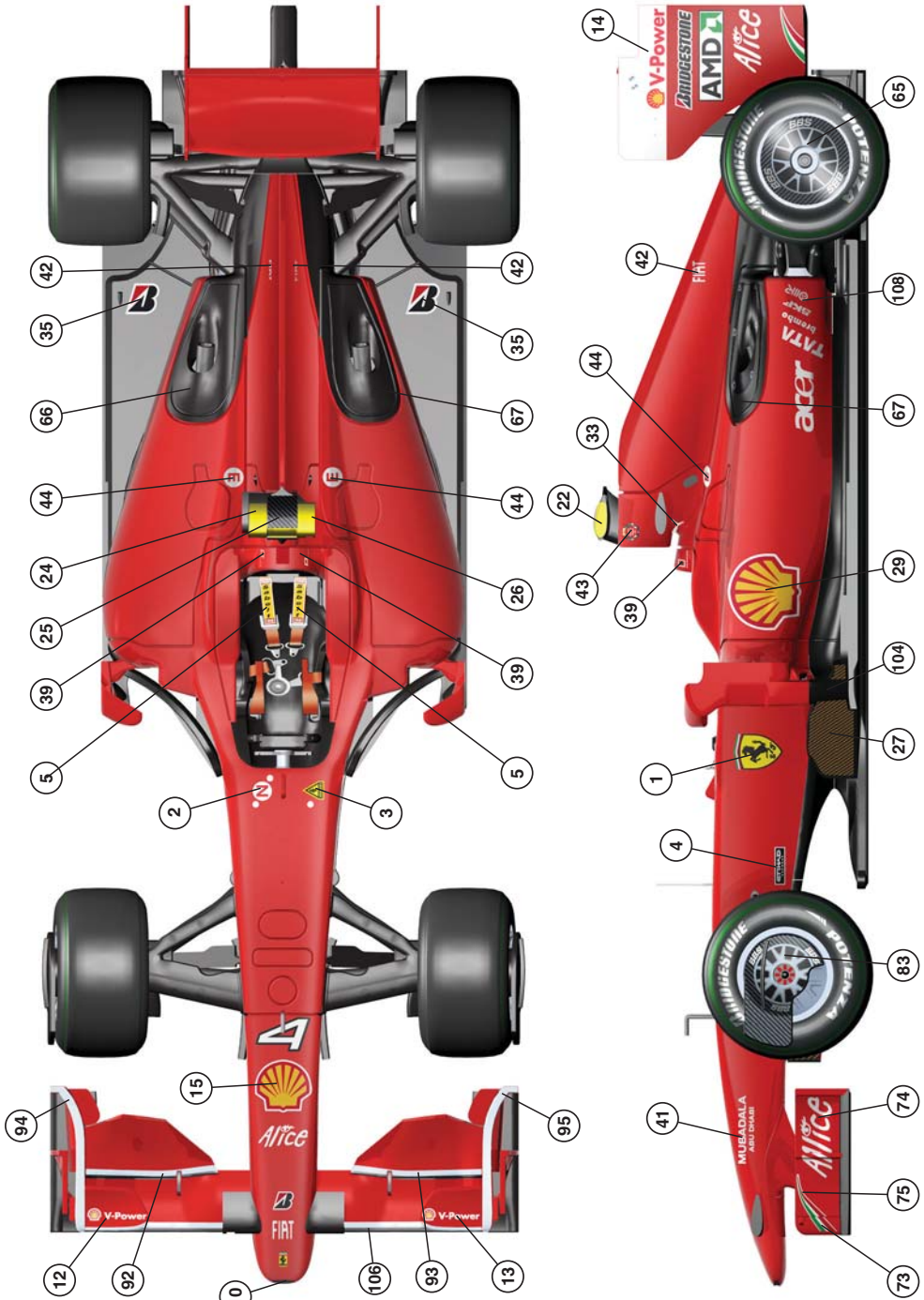




17



TMK 385 FERRARI F60 BELGIAN G.P. 2009



4 - K. Raikkonen

1st



3 - L. Badoer

14th