

TAMEO KITS
scale racing car models



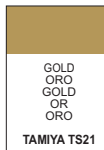
TMK 406
LOTUS RENAULT E20
G.P. BAHRAIN 2012
Kimi Raikkonen - Romain Grosjean
www.tameokits.com



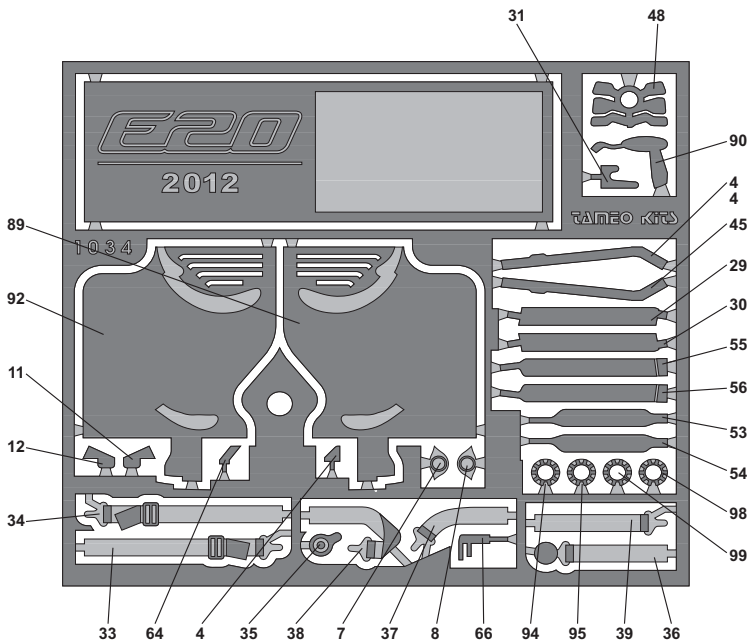
Produced under licence from Group Lotus Plc as master licensee of Lotus F1 Team Limited.
LOTUS and the Lotus Roundel are trademarks of Group Lotus Plc.
LOTUS F1 TEAM name and logo are trademarks owned by, or used under licence by, Lotus F1 Team Limited and Group Lotus Plc.
F1TM is a trademark of Formula One Licensing BV.
Car designs and livery are the property of Lotus F1 Team Ltd and protected by copyright and designs law.



Colour conversion - Conversione colori - Farbenumwandlung Conversion de couleurs - Colores convensionados



Photoetcheds - Fotoincisioni - Fotogeazett Photogravures - Fotograbado



PARTS PEZZI STUECKE PIÈCE PIEZAS	STEEL WIRE FILO D' ACCIAIO STAHLDRAHT FIL ACIER ALAMBRE D'ACERO	LENGTH LUNGHEZZA LAENGE LONGUEUR LARGO	DIAMETER DIAMETRO DURCHMESSER DIAMETRE DIAMETRO	TO BEND PIEGARE BIEGEN PLIER DOBLAR	NYLON WIRE FILO DI NYLON NYLONDRAHT FIL DE NYLON ALAMBRE DE NYLON	SOLO PER ONLY FOR NUR FUER SEULEMENT POUR SOLO PARA
--	---	--	---	---	---	---

GLUE AND STICK BEFORE PAINTING
INCOLLARE E STUCCARE PRIMA DELLA VERNICIATURA
VOR DER LACKIERUNG VERKLEBEN UND VERSPACHTELN
COLLER ET MASTIQUER AVANT DE VERNIR
PEGAR Y ESTUCAR ANTES DE PINTAR

STICK
STUCCARE
KITT
MASTIQUER
ESTUCAR

NO PAINT
NON COLORARE
KEINE FARBE
PAS DE PEINTURE
SIN PINTURA

COPPER WIRE
FILO DI RAME
KUPFERDRAHT
FIL CUIVRE
ALAMBRE DE COBRERO

TAMEO KITS srl

Via Valle, 111 - P.O. Box 61
17022 BORGIO VEREZZI SV ITALY
Tel. 39 019 - 615.250
Fax. 39 019 - 615.310

www.tameokits.com

sales@tameokits.com

technical@tameokits.com

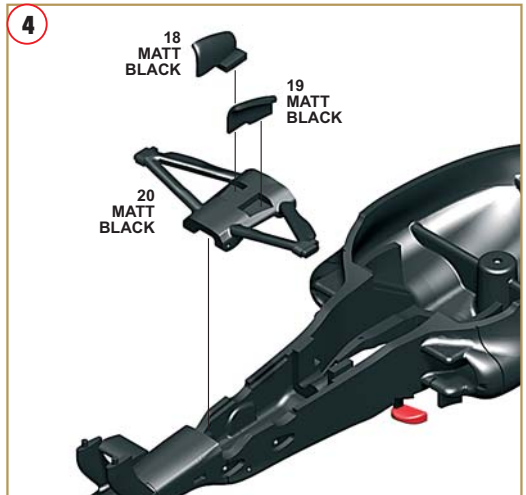
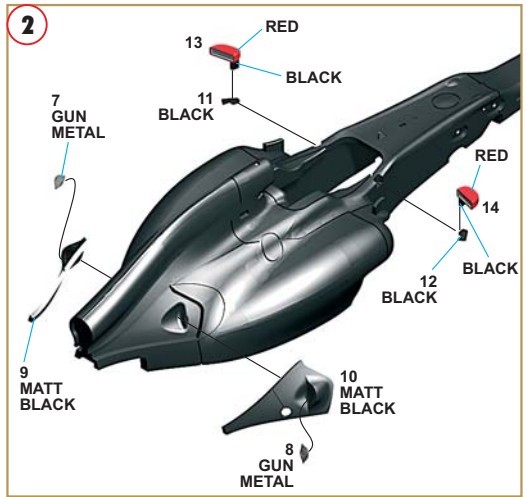
Made in Italy. Modello per collezionisti in scala 1/43. Vietata la vendita ai minori di 14 anni. Nocivo per ingestione. Conservare fuori dalla portata dei bambini. Tameo Kits declina ogni responsabilità per un uso improprio del prodotto.

Made in Italy. Collector 1/43 Scale Models. Not for sale to persons under 14 years of age. Dangerous if swallowed. Keep out of reach of children. Tameo Kits not held responsible for any damage or injury resulting from improper use of the product.

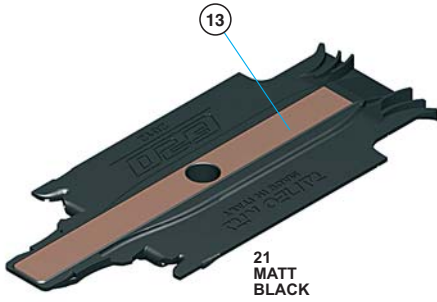
Made in Italy. Modèle pour collectionneurs échelle 1/43. Vente interdite aux enfants de moins de 14 ans. Dangereux si avalé. Conserver hors de la portée des enfants. Tameo Kits décline toute responsabilité dans le cas de dommages dérivants de l'usage non approprié du produit.

Made in Italy. Sammlermodell im Massstab 1/43. Verkauf an Jugendliche unter 14 Jahren verboten. Schädlich bei Verschlucken. Tameo Kits lehnt jede Verantwortung bei unsachgemässer Benutzung des Produktes ab.

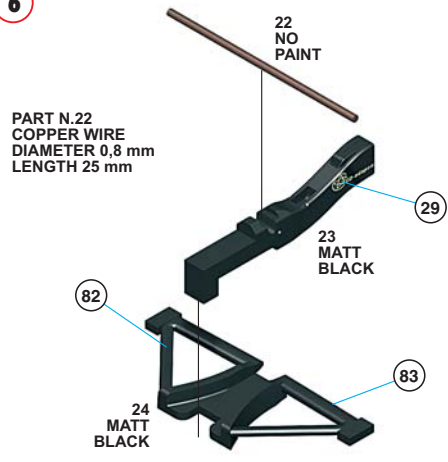
Hecho en Italia. Colección de modelos a escala 1/43. Prohibida la venta a menores de 14 años. No comestible. Mantener fuera del alcance de los niños. Tameo Kits no se hace responsable de los daños causados por el uso incorrecto de este producto.



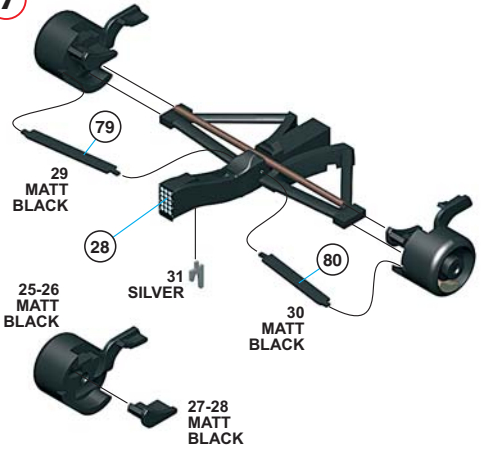
5



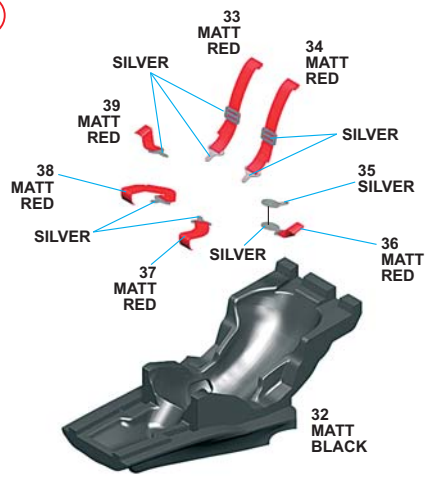
6



7



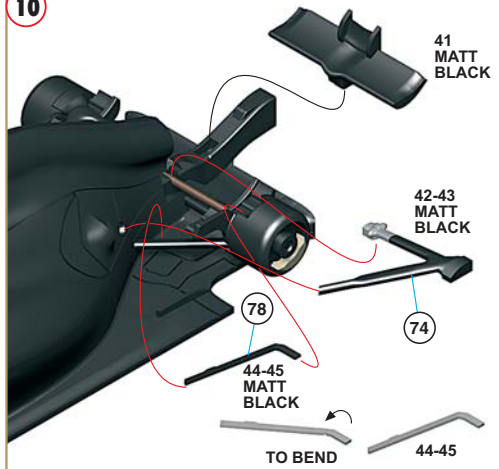
8



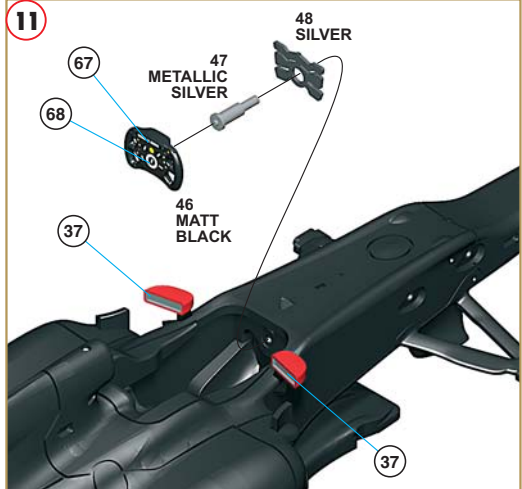
9

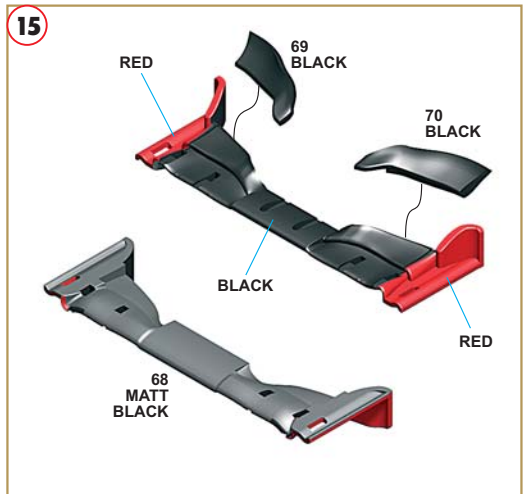
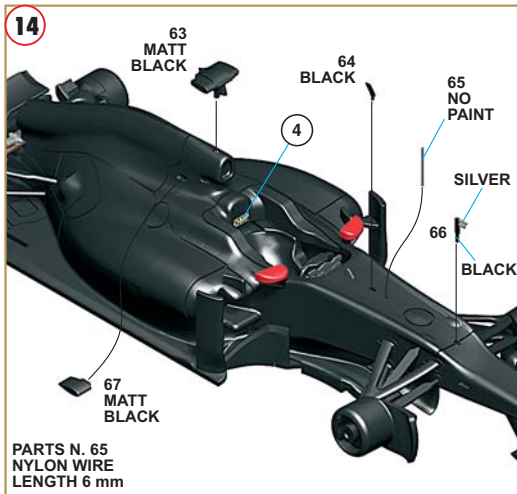
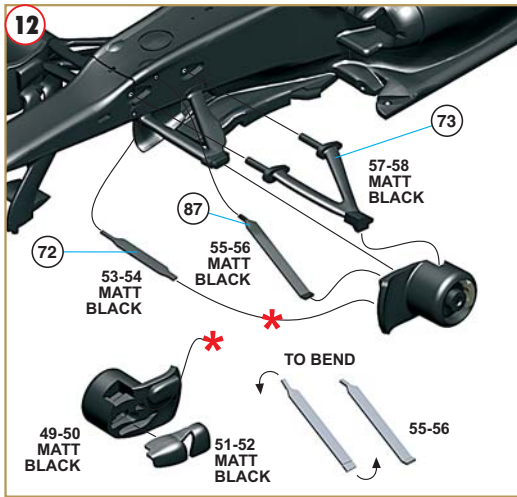


10

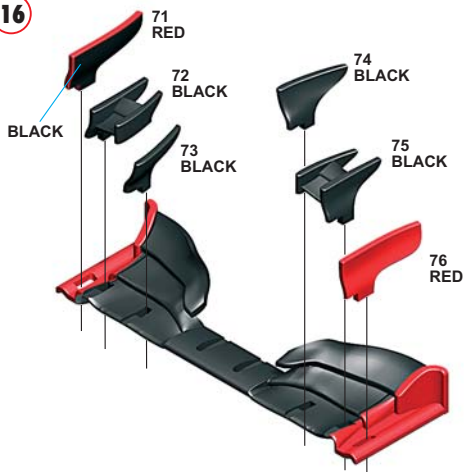


11

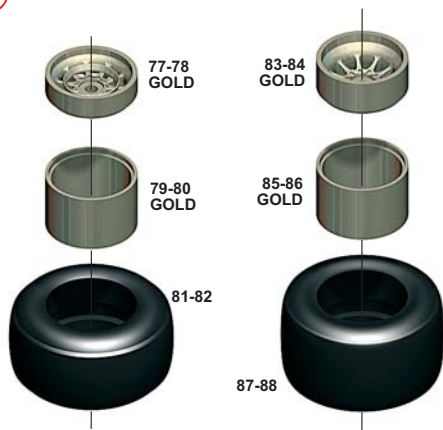




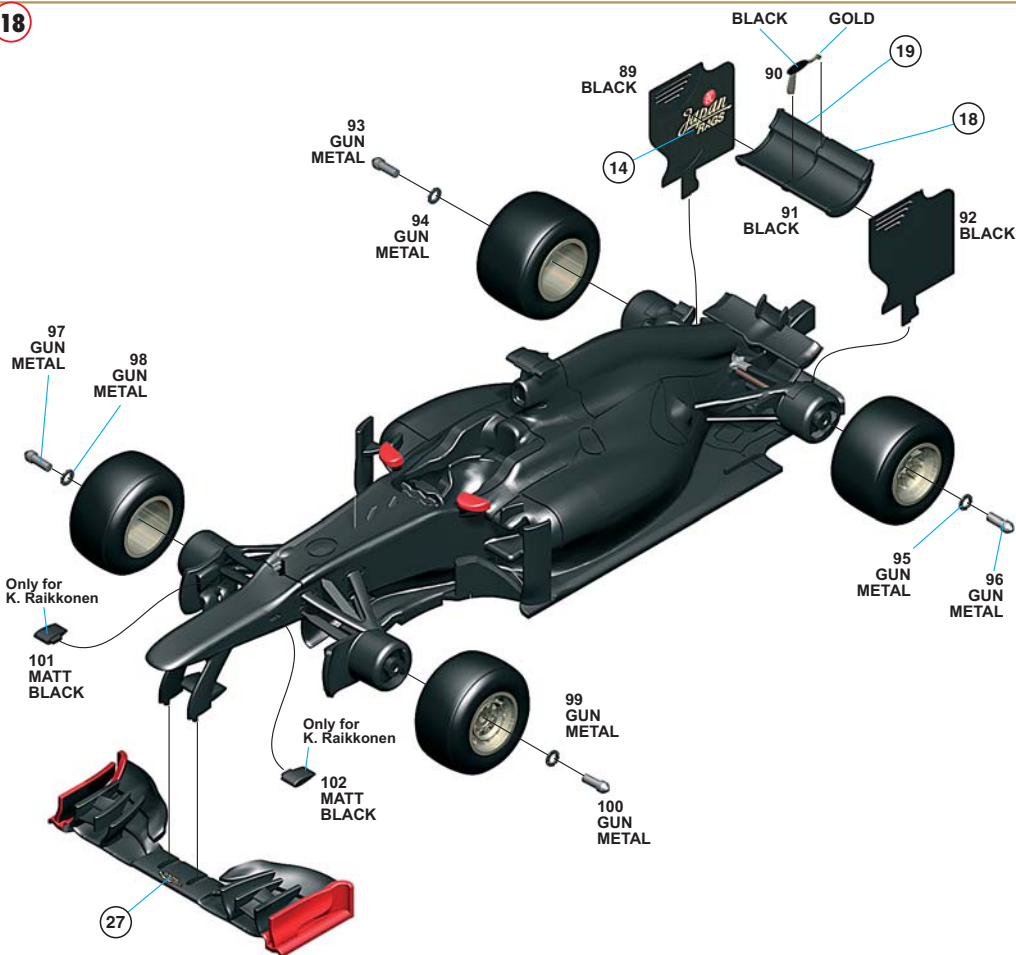
16



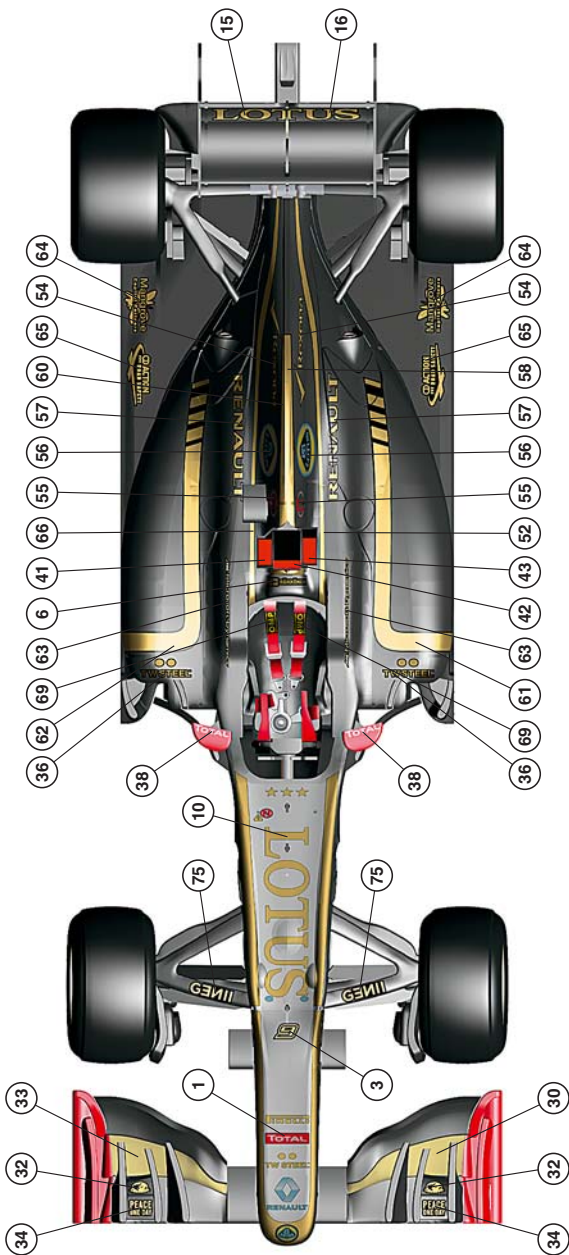
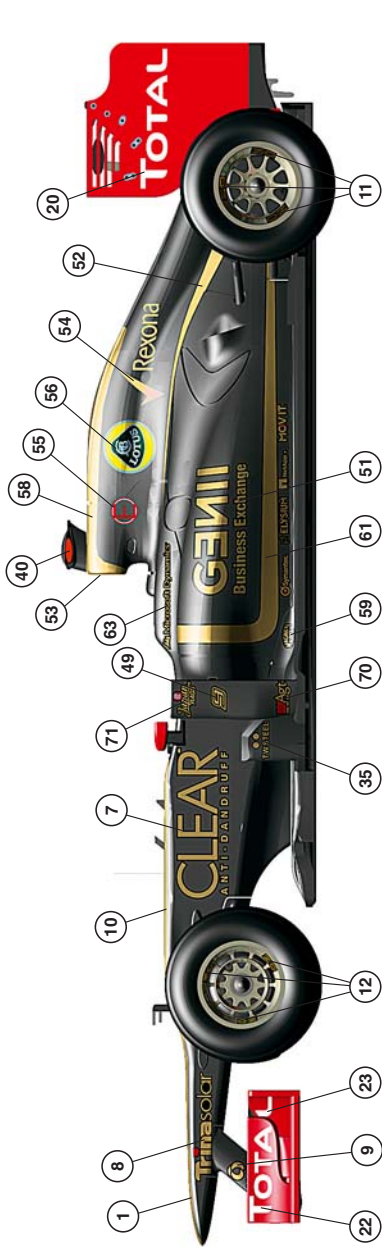
17



18



TMK 406 LOTUS RENAULT E20 G.P. BAHRAIN 2012



9 - K. Raikkonen

2nd



10 - R. Grosjean

3rd