

TAMEO KITS
scale racing car models



TMK 414

LOTUS RENAULT E21

**2013 Formula 1 Rolex Australian Grand Prix
Winner Kimi Raikkonen
Romain Grosjean 10th place**











Produced under licence from Group Lotus plc as master licensee of Lotus F1 Team Limited.
LOTUS and the Lotus Roundel are trademarks of Group Lotus plc.
LOTUS F1 TEAM name and logo are trademarks owned by, or used under licence by, Lotus F1 Team Limited and Group Lotus plc.
F1™ is a trademark of Formula One Licensing BV.
Car designs and livery are the property of Lotus F1 Team Ltd and protected by copyright and designs law.

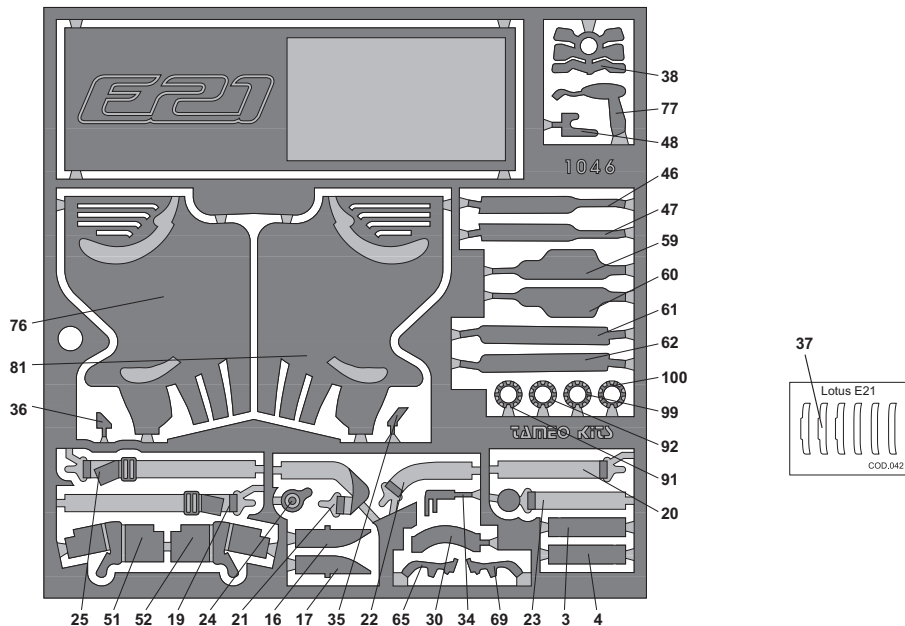


www.tameokits.com

Colour conversion - Conversione colori - Farbenumwandlung Conversion de couleurs - Colores convensionados

 BLACK NERO SCHWARZ NOIRE NEGRO TAMIYA TS14	 SILVER ARGENTO SILBER ARGENT PLATA TAMIYA X11	 RED ROSSO ROT ROUGE ROJO TAMIYA TS49	 GOLD ORO GOLD OR ORO TAMIYA TS21	 MATT RED ROSSO OPACO MATTROT ROUGE OPAQUE ROJO MATE TAMIYA XF7	 GUN METAL GRIGIO FUCILE GUN METAL GRIS FUSIL GRIS FUSIL TAMIYA TS38	 ARGENTO METALLIZZATO METALLIC SILBER METALLISIERT SILBER ARGENT METALISE PLATA METALIZADA TAMIYA TS83	 MATT BLACK NERO OPACO MATTSCHWARZ NOIRE OPAQUE NEGRO OPACO TAMIYA TS6
---	---	--	--	--	---	--	--

Photoetched - Fotoincisioni - Fotogeaezt Photogravures - Fotograbados



GLUE AND STICK BEFORE PAINTING
INCOLLARE E STUCCARE PRIMA DELLA VERNICIATURA
VOR DER LACKIERUNG VERKLEBEN UND VERSPACHTELN
COLLER ET MASTIQUER AVANT DE VERNIR
PEGAR Y ESTUCAR ANTES DE PINTAR

TO BEND
PIEGARE
BIEGEN
PLIER
DOBLAR

PARTS
PEZZI
STUECKE
PIECE
PIEZAS

STEEL WIRE
FILO D' ACCIAIO
STAHLDRAHT
FIL ACIER
ALAMBRE D'ACERO

COPPER WIRE
FILO DI RAME
KUPFERDRAHT
FIL CUIVRE
ALAMBRE DE COBRERO

LENGTH
LUNGHEZZA
LAENGE
LONGUEUR
LARGO

NO PAINT
NON COLORARE
KEINE FARBE
PAS DE PEINTURE
SIN PINTURA

TAMEO KITS srl

Via Valle, 111 - P.O. Box 61
17022 BORGIO VEREZZI SV ITALY
Tel. 39 019 - 615.250
Fax. 39 019 - 615.310

www.tameokits.com

sales@tameokits.com

technical@tameokits.com

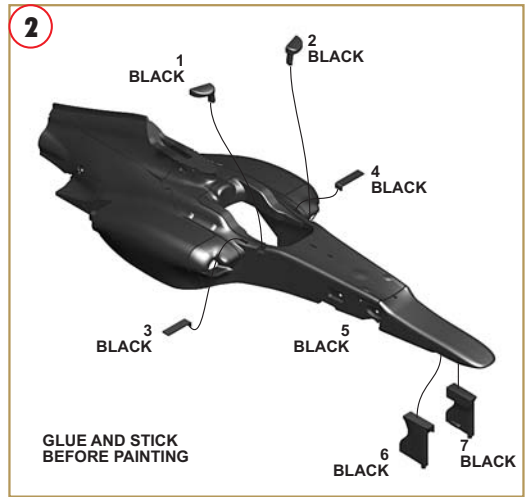
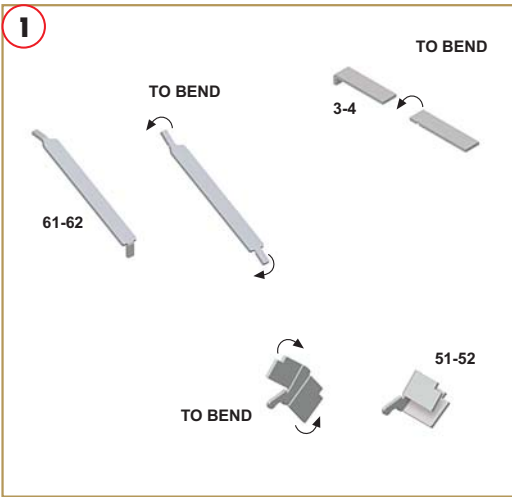
Made in Italy. Modello per collezionisti in scala 1/43. Vietata la vendita ai minori di 14 anni. Nocivo per ingestione. Conservare fuori dalla portata dei bambini. Tameo Kits declina ogni responsabilità per un uso improprio del prodotto.

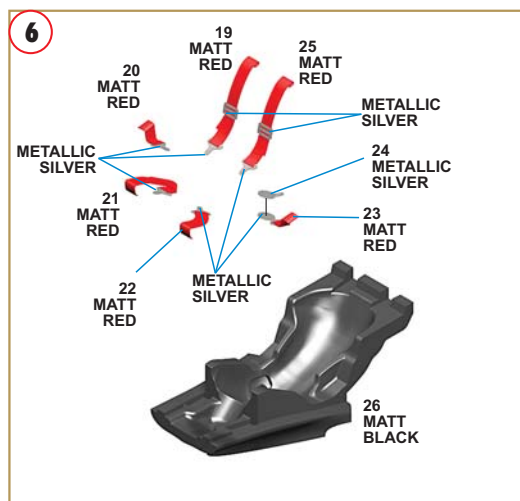
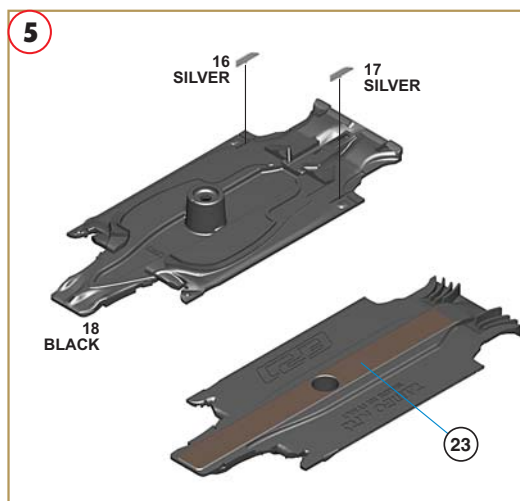
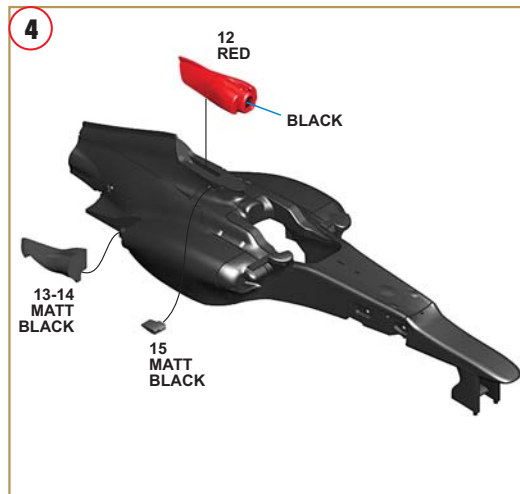
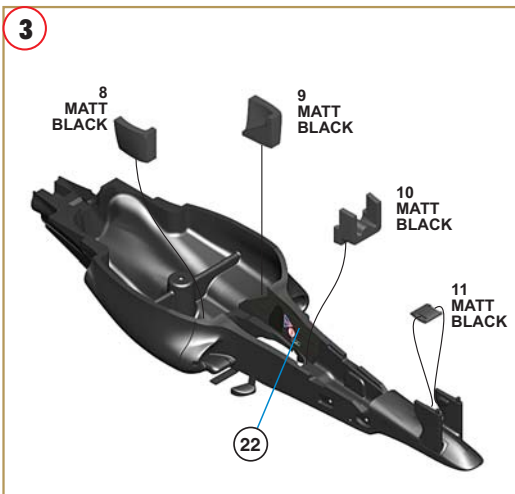
Made in Italy. Collector 1/43 Scale Models. Not for sale to persons under 14 years of age. Dangerous if swallowed. Keep out of reach of children. Tameo Kits not held responsible for any damage or injury resulting from improper use of the product.

Made in Italy. Modèle pour collectionneurs échelle 1/43. Vente interdite aux enfants de moins de 14 ans. Dangereux si avalé. Conserver hors de la portée des enfants. Tameo Kits décline toute responsabilité dans le cas de dommages dérivants de l'usage non approprié du produit.

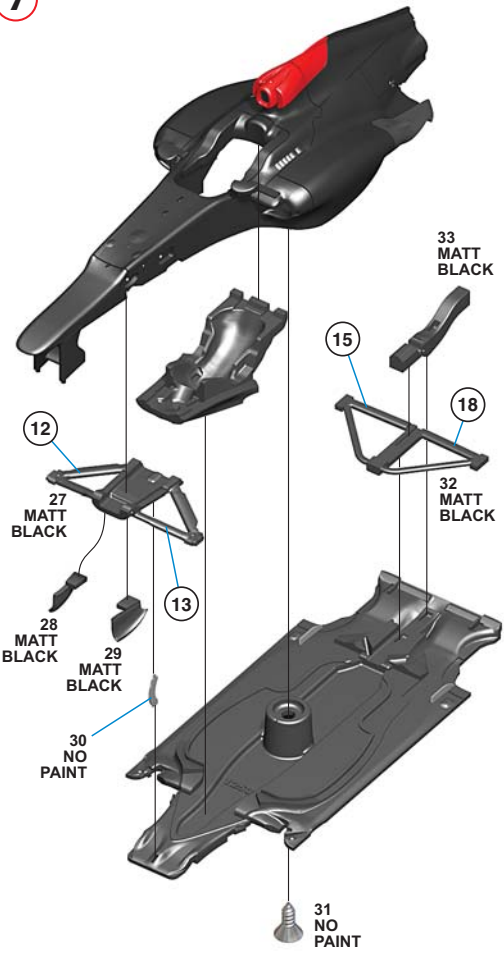
Made in Italy. Sammlermodell im Maßstab 1/43. Verkauf an Jugendliche unter 14 Jahren verboten. Schädlich bei Verschlucken. Tameo Kits lehnt jede Verantwortung bei unsachgemäßer Benutzung des Produktes ab.

Hecho en Italia. Colección de modelos a escala 1/43. Prohibida la venta a menores de 14 años. No comestible. Mantener fuera del alcance de los niños. Tameo Kits no se hace responsable de los daños causados por el uso incorrecto de este producto.

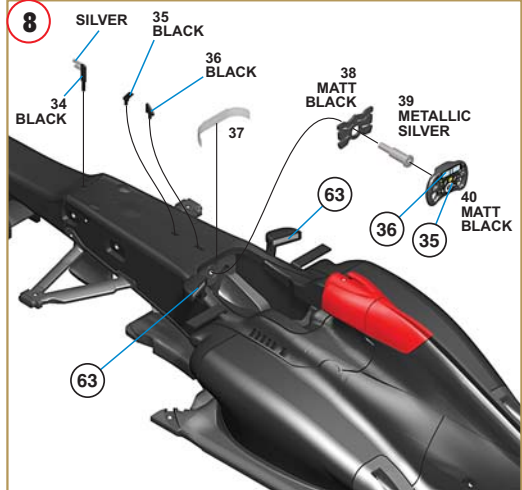




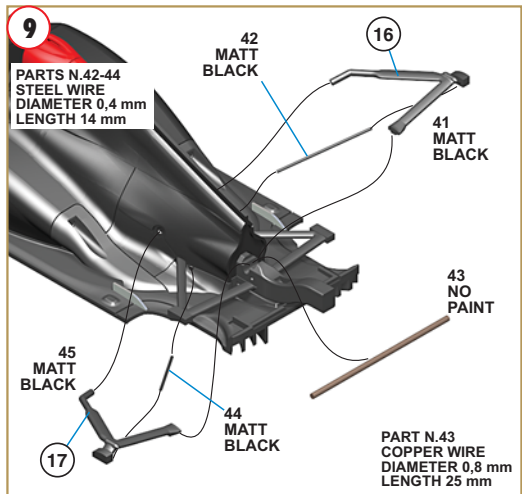
7

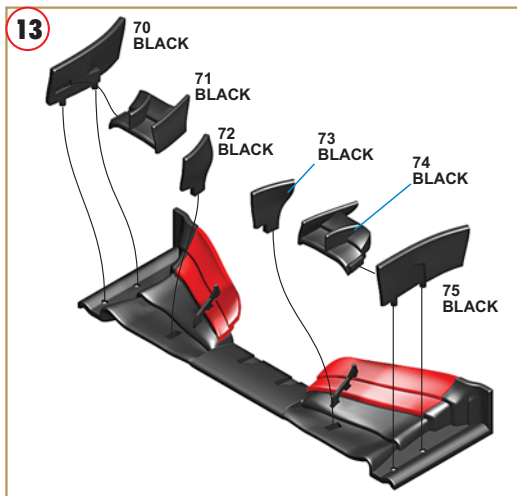
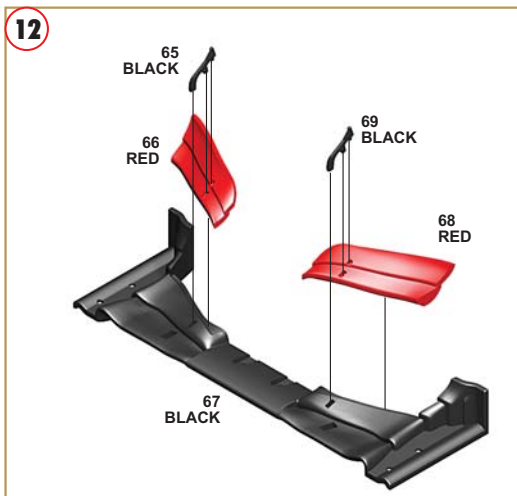
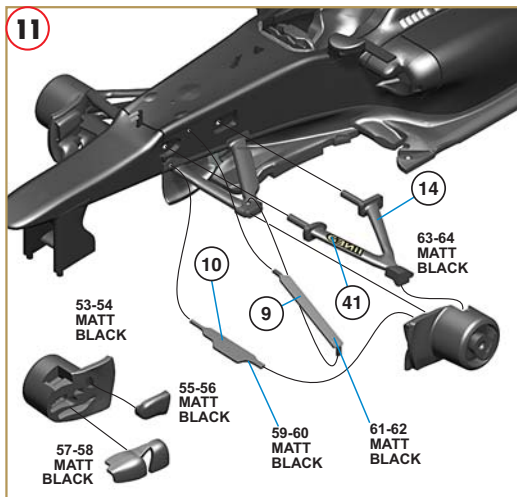
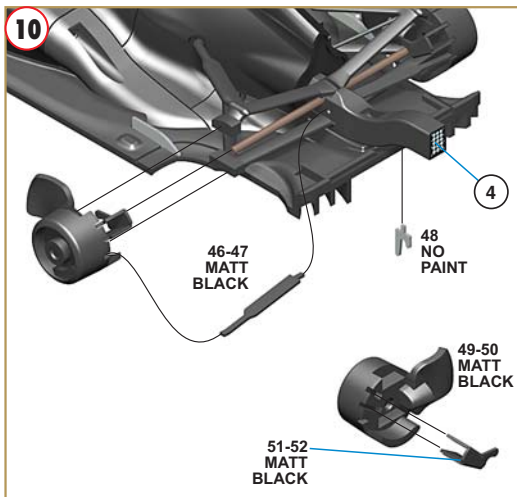


8

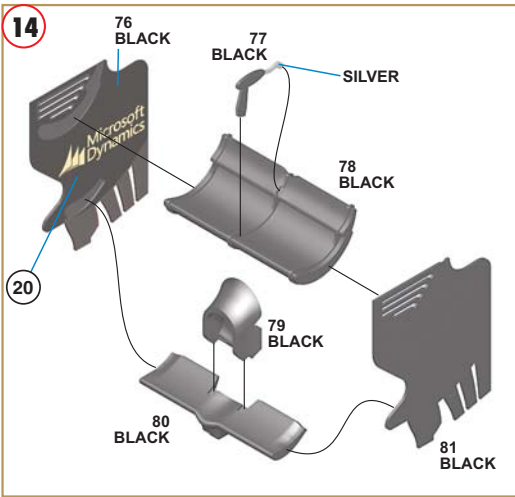


9

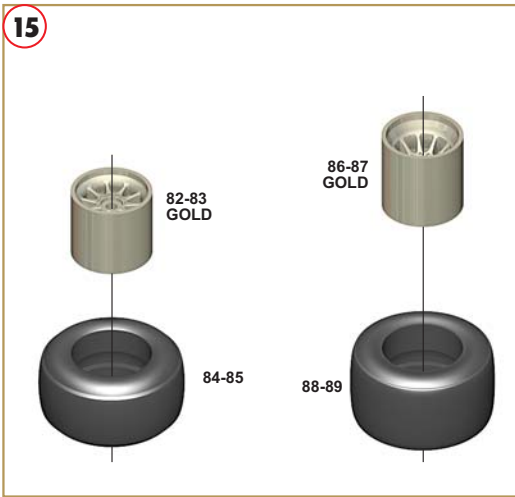




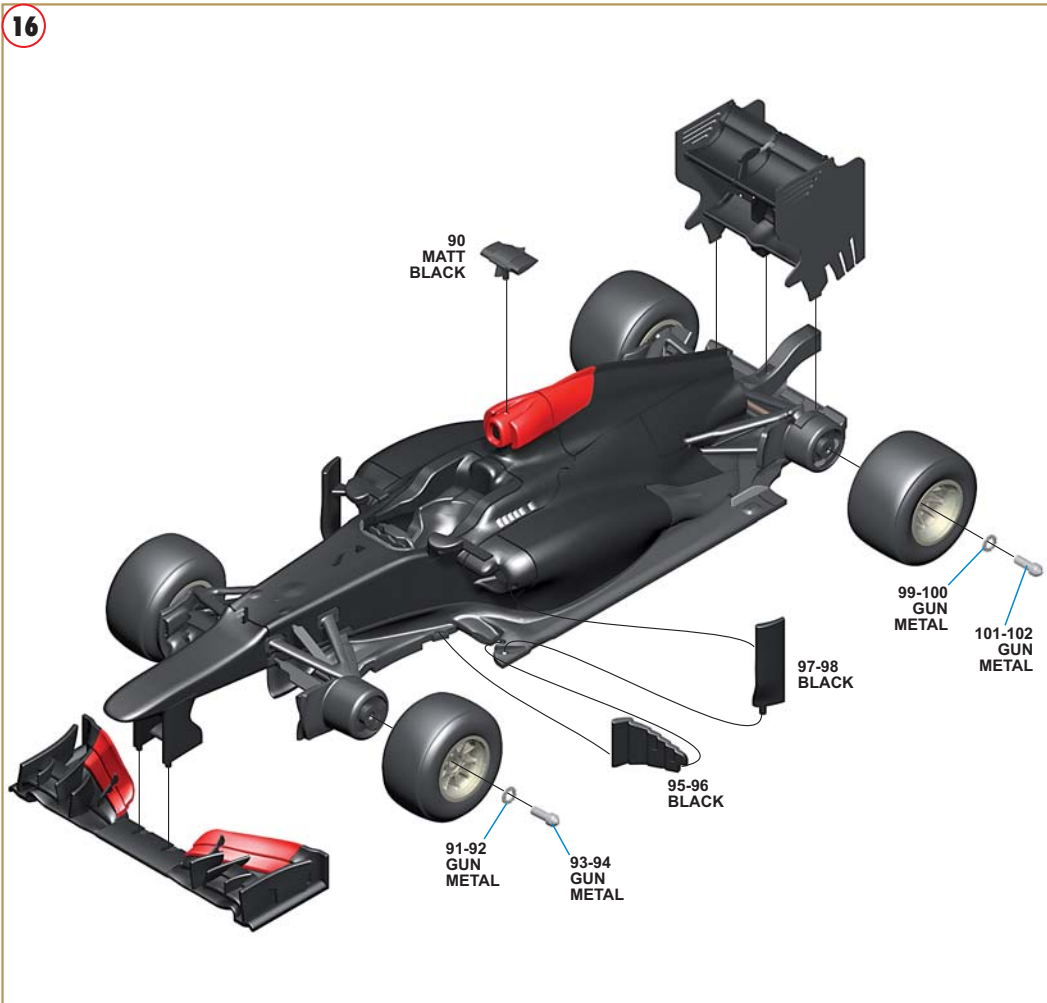
14



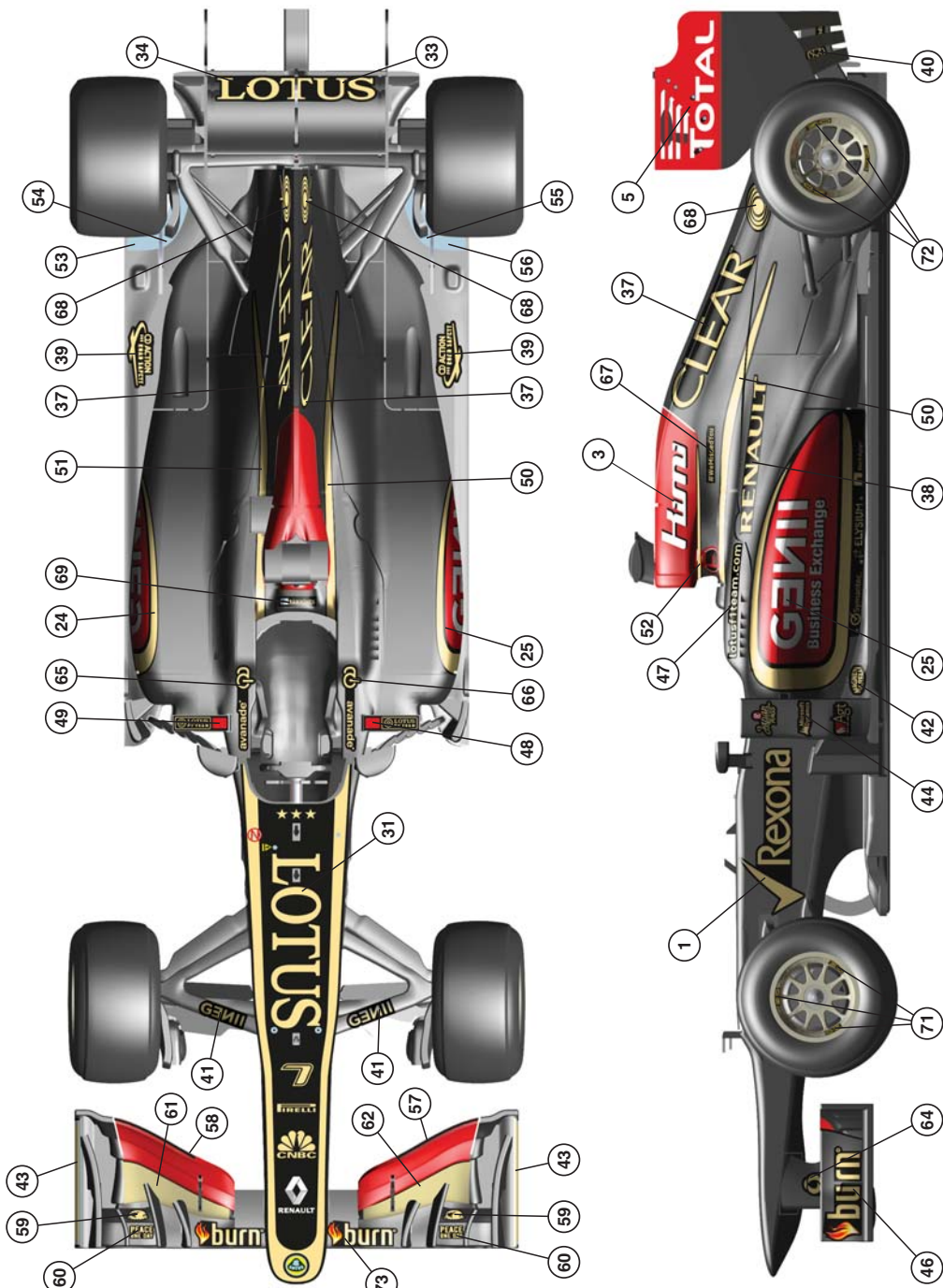
15



16



TMK 414 LOTUS RENAULT E21 G.P. AUSTRALIA 2013



7 - K. Raikkonen

1st



8 - R. Grosjean

10th