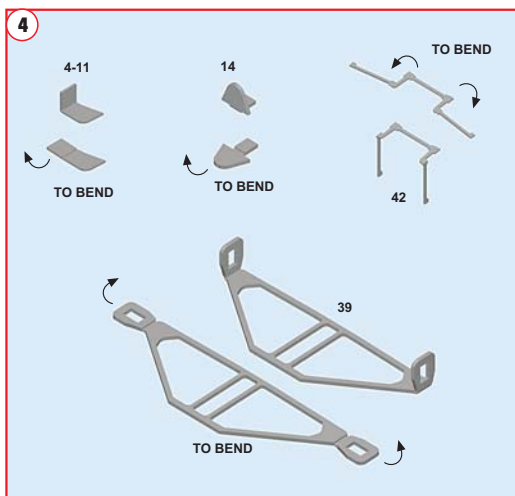
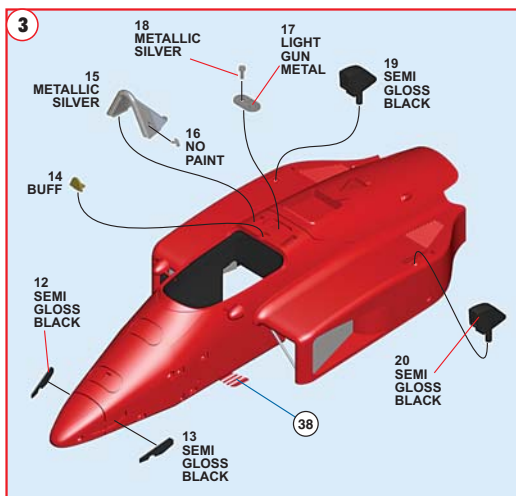
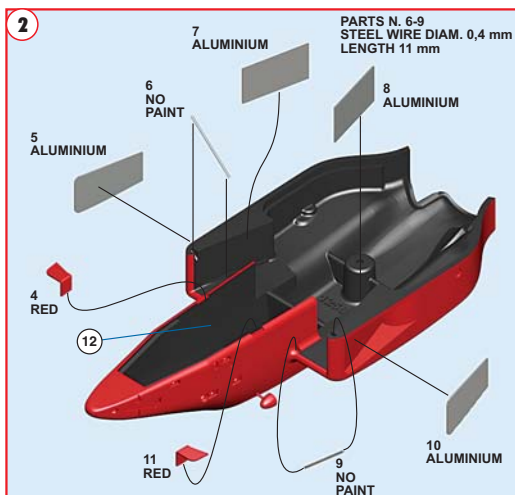
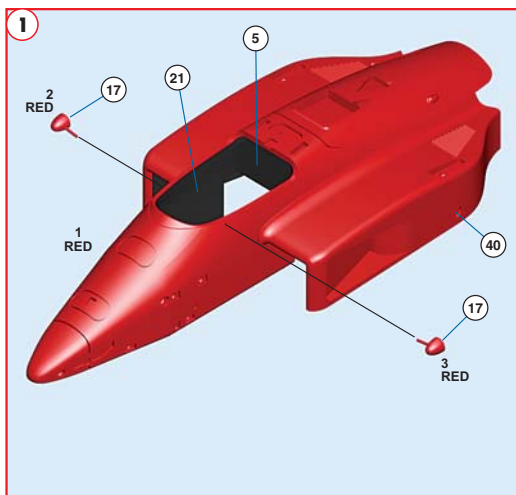


TMK 428

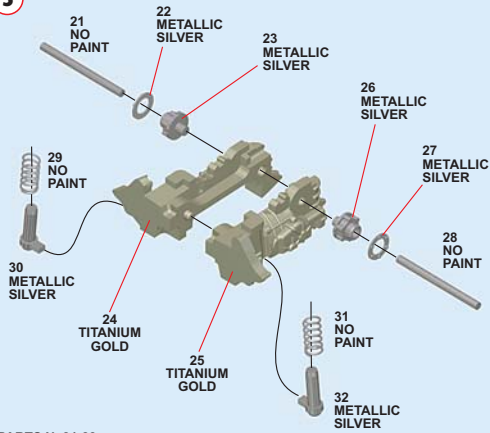
FERRARI F156-85

G.P. CANADA 1985

M. Alboreto - S. Johansson
Winner M. Alboreto
www.tameokits.com

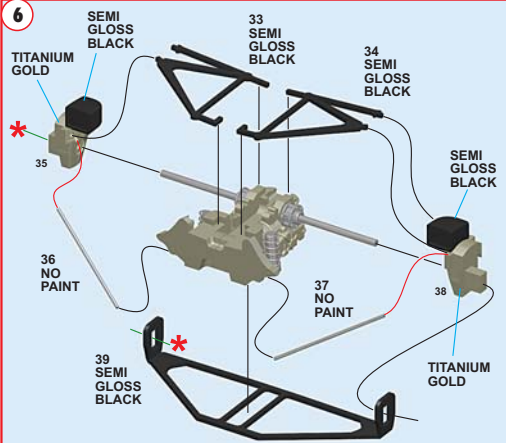


5



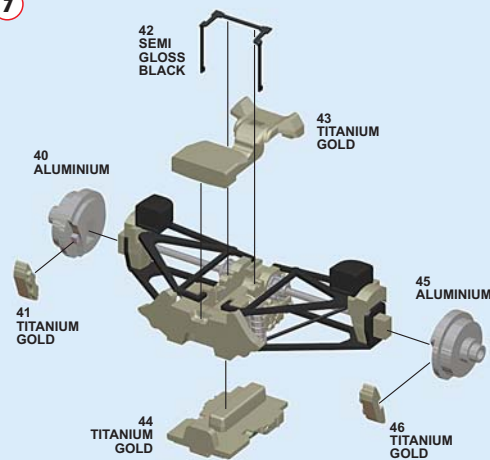
PARTS N. 21-28
STEEL WIRE DIAM. 0,8 mm
LENGTH 10,5 mm

6

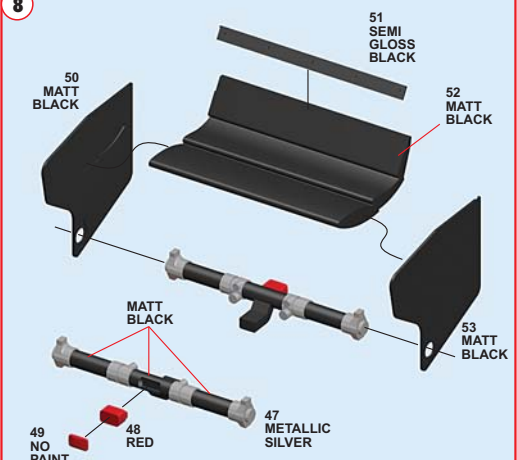


PARTS N. 36-37
STEEL WIRE DIAM. 0,4 mm
LENGTH 11 mm

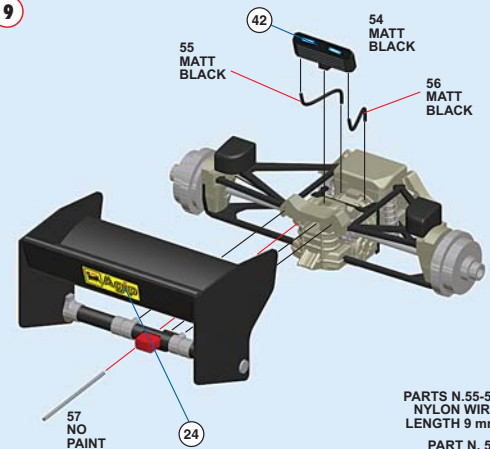
7



8

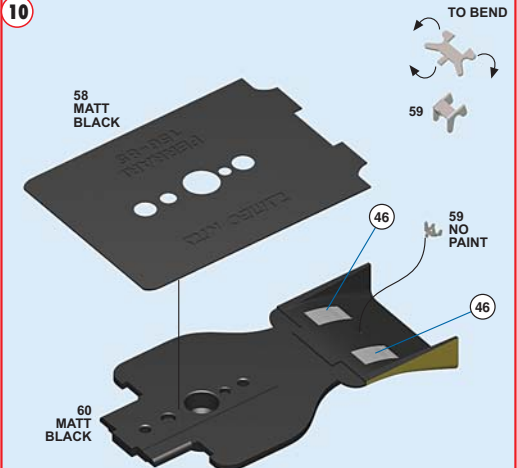


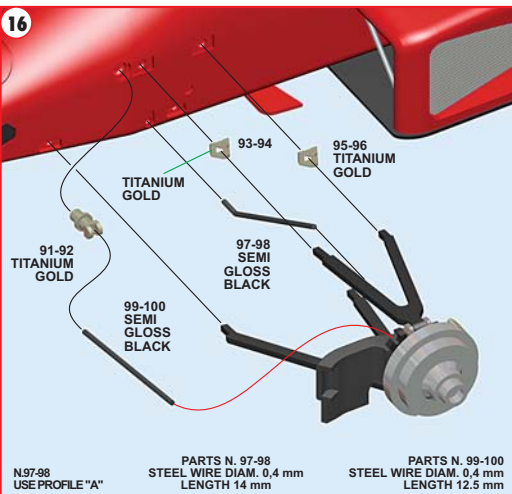
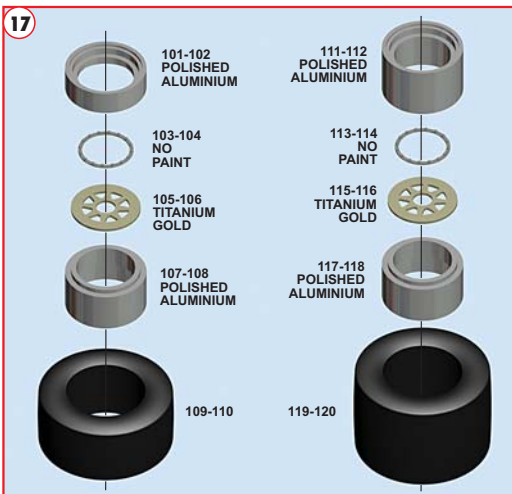
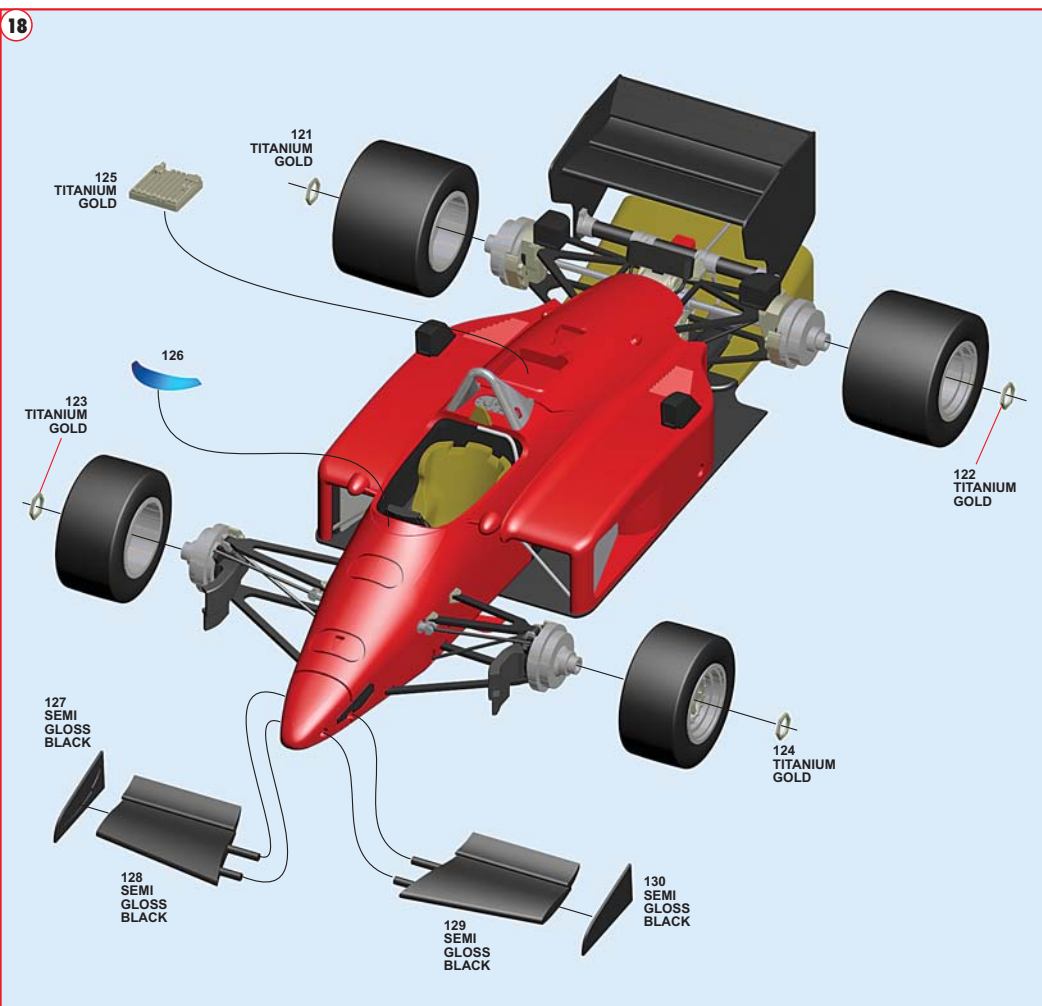
9



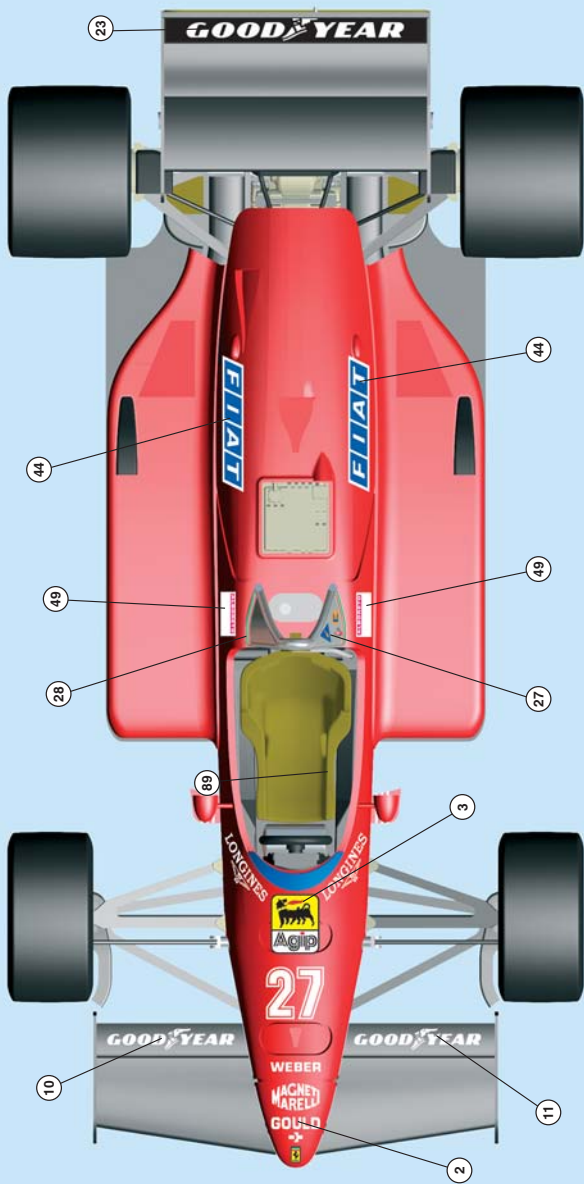
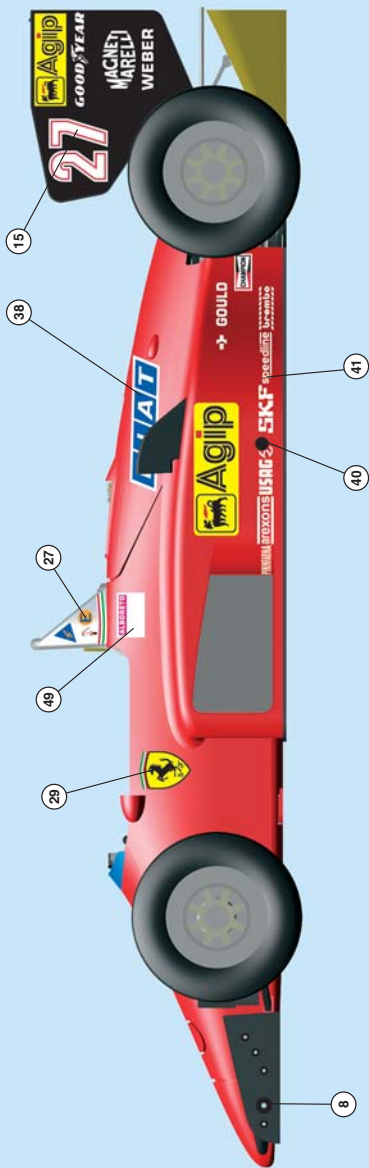
PARTS N. 55-56
NYLON WIRE
LENGTH 9 mm
PART N. 57
STEEL WIRE DIAM. 0,4 mm
LENGTH 12 mm

10



16**17****18**

**TMK 428
FERRARI F156-85
G.P. CANADA 1985**



27 - M. Alboreto

1st



28 - S. Johansson

2nd