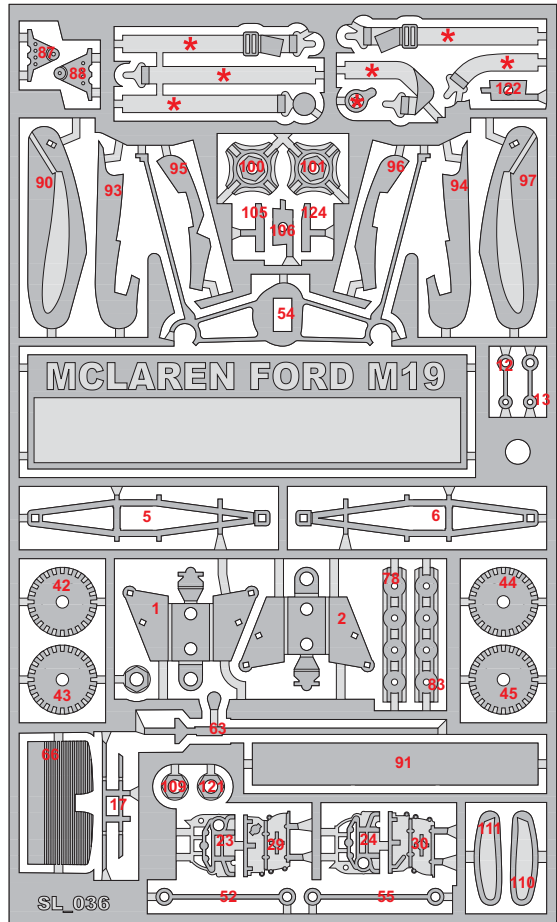
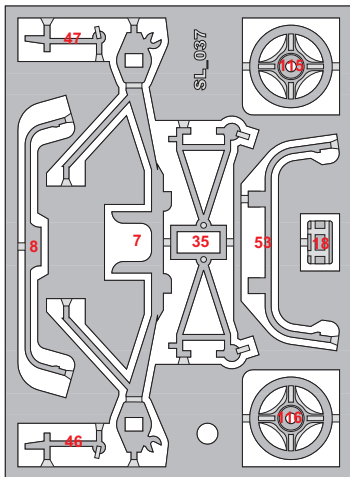
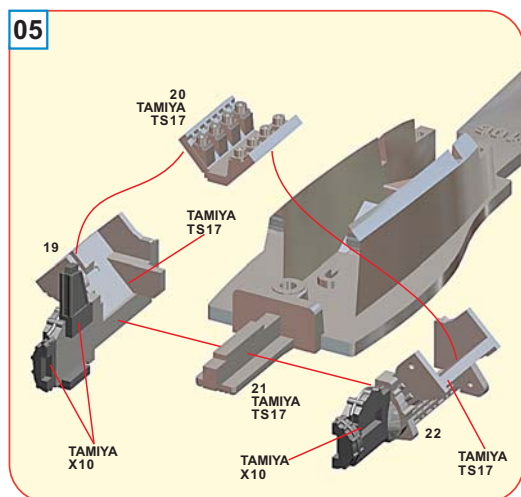
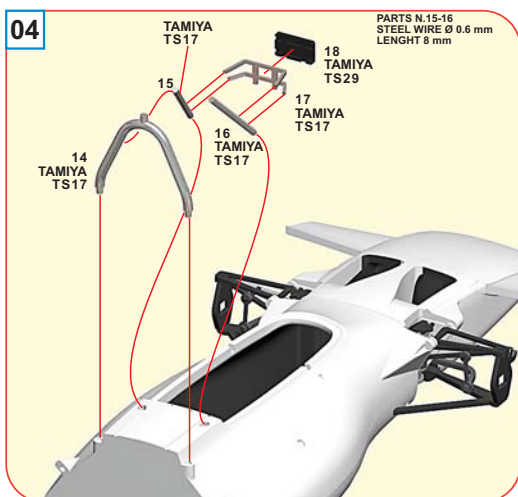
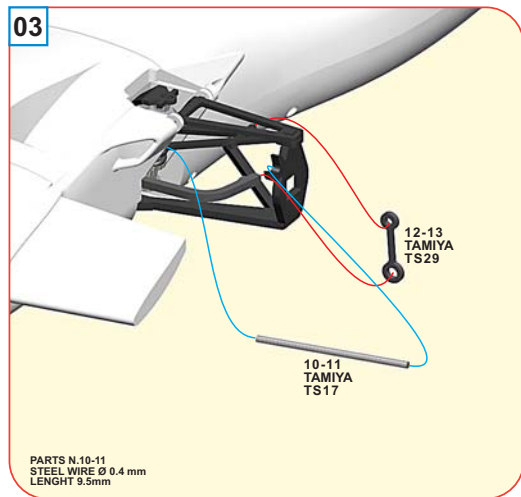
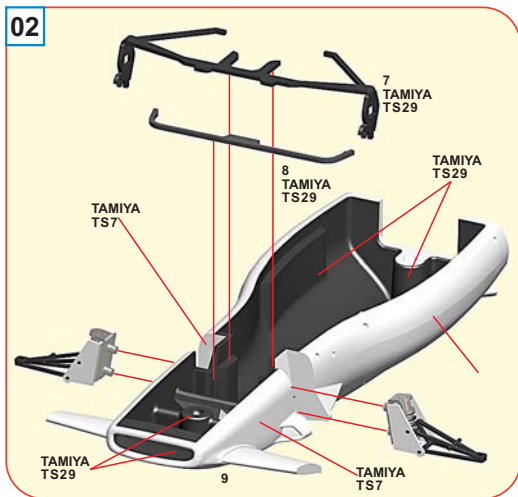
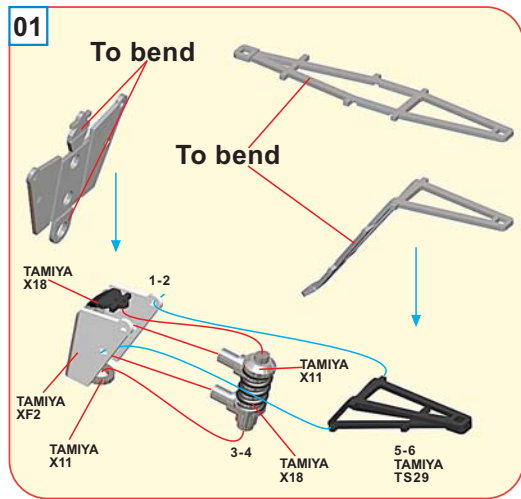
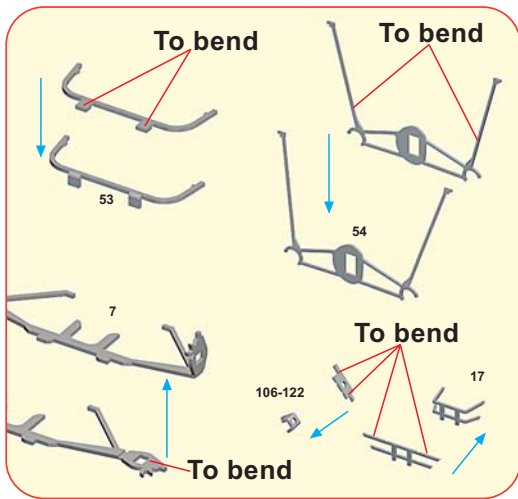


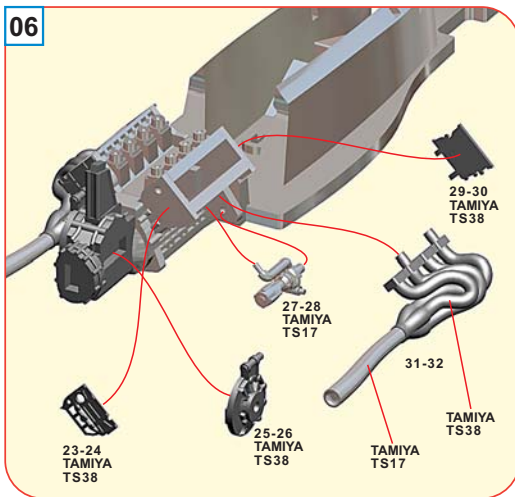
SilverLine

SLK034 McLAREN FORD M19 South African G.P. 1972 D. Hulme - P. Revson

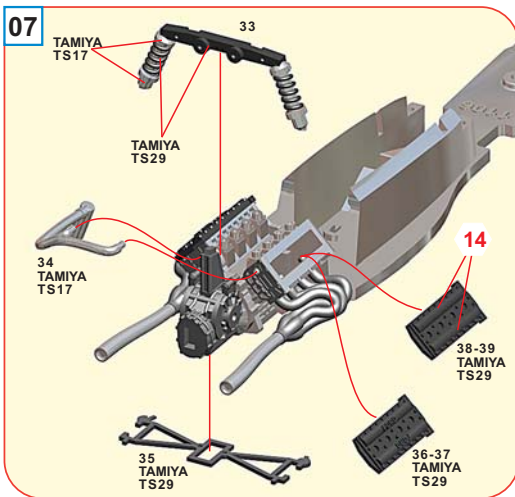




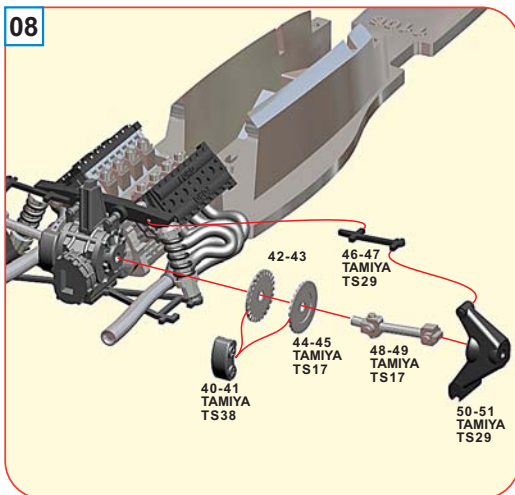
06



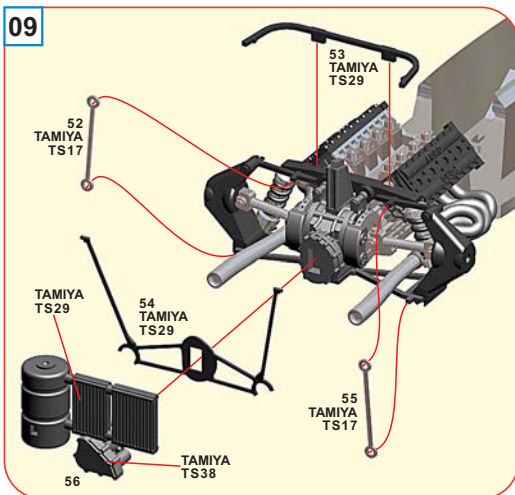
07



08

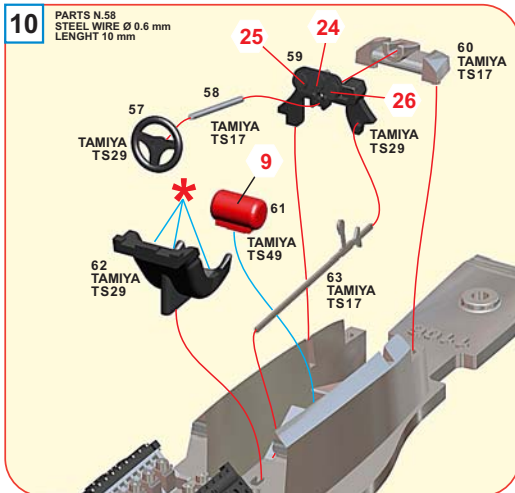


09

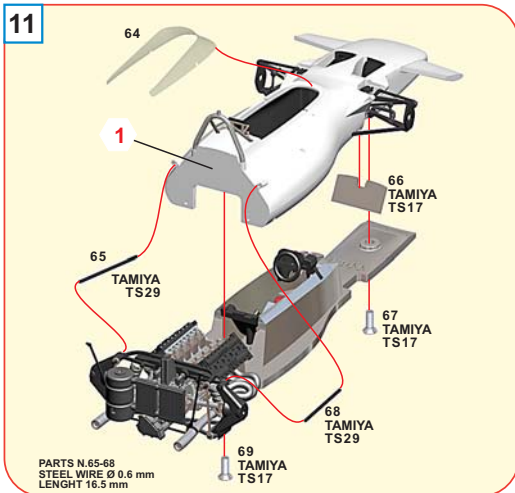


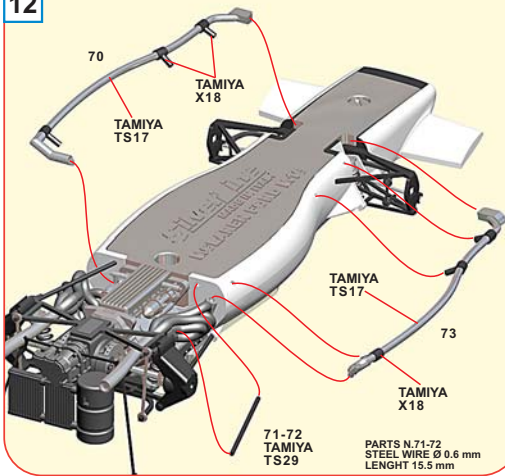
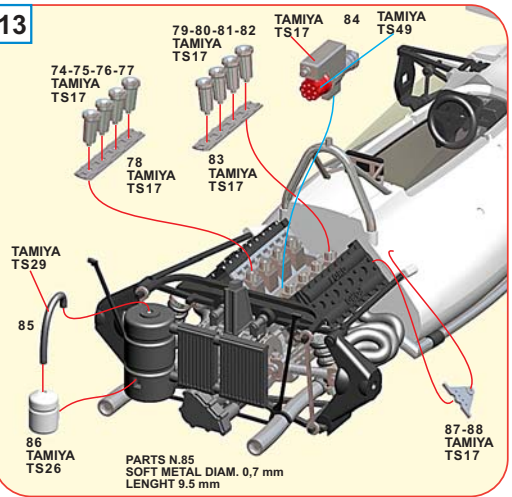
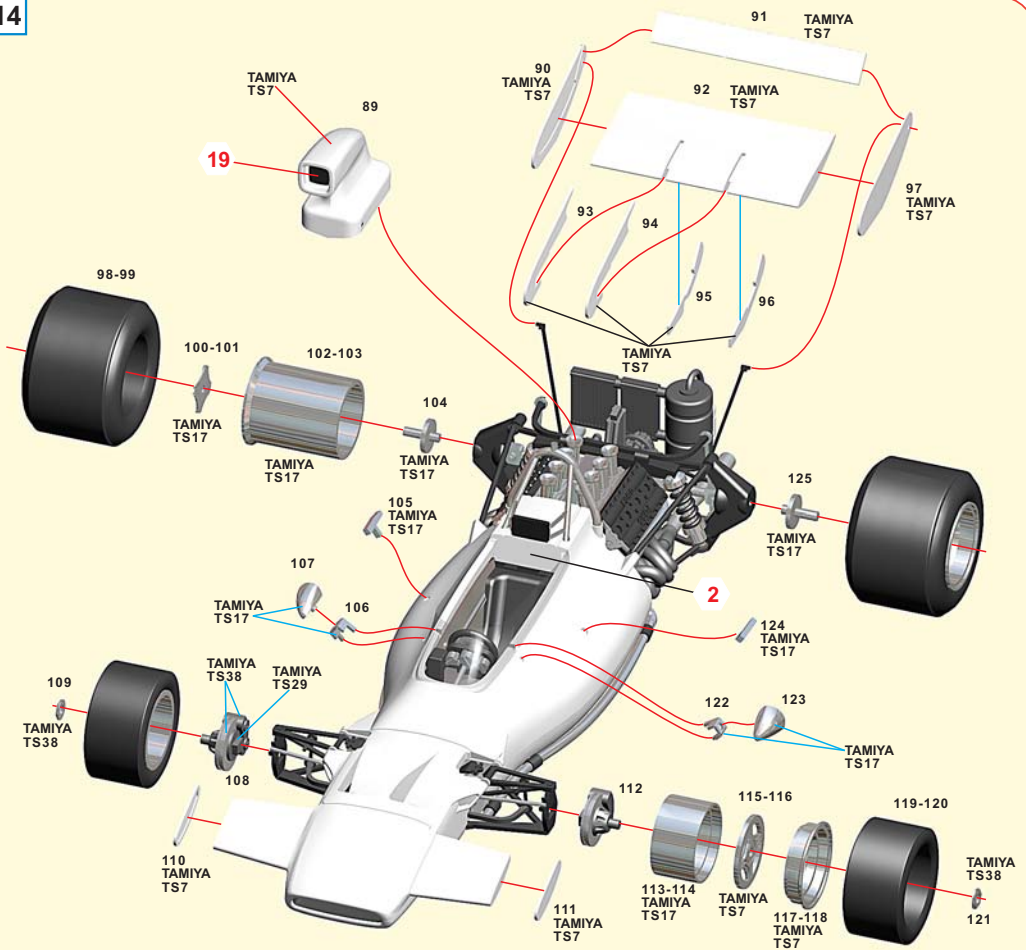
10

PARTS N.58
STEEL WIRE Ø 0.6 mm
LENGHT 10 mm



11



12**13****14**

SLK034 McLAREN FORD M19 South African G.P. 1972

N°12 Denny Hulme 1st

N°14 Peter Revson 3rd

