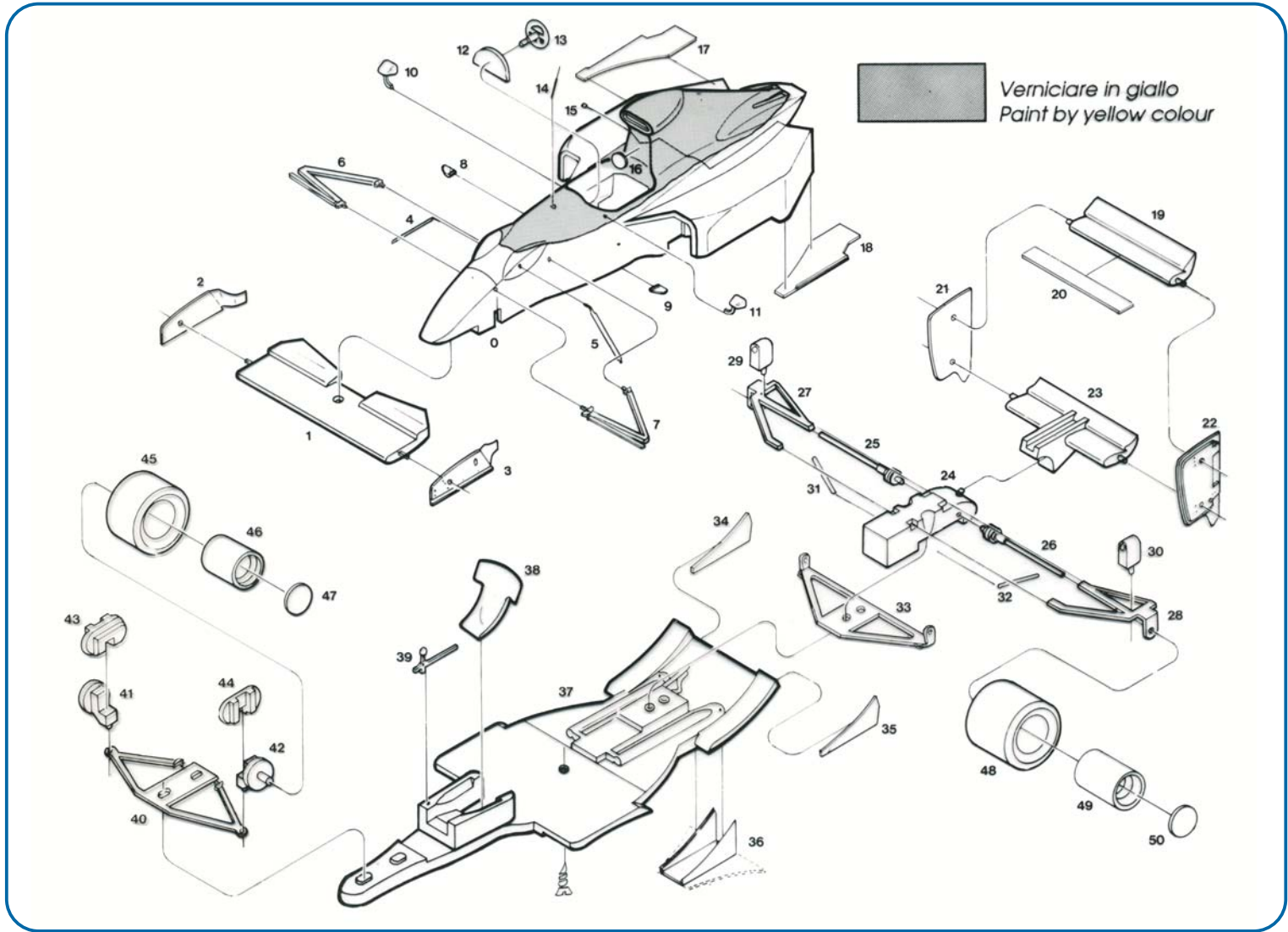
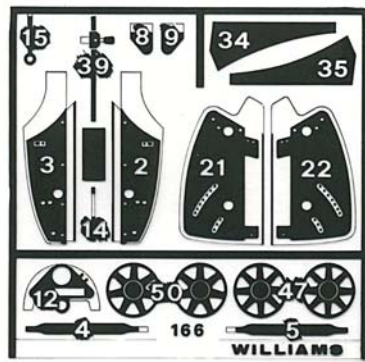
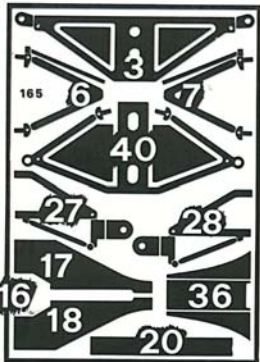


TMK 113 WILLIAMS RENAULT FW13 G.P. AUSTRALIA 1989



Fotoincisioni - Photoetched - Fotogeaetzt
Photogravures - Fotograbado



Prototipo: Luca Tameo
Fusione: Tameo Gang
Decals: Cartograf
Assist: Robyn Mackintosh

G.P. AUSTRALIA (5/11/89)

1° T. BOUTSEN
3° R. PATRESE

N° 5 Thierry BOUTSEN
Chassis FW13/3

N° 6 Riccardo PATRESE
Chassis FW13/1

TAMEO KITS srl

Via Valle, 111 - P.O. Box 61
17022 BORGIO VEREZZI SV ITALY
Tel. 39 019 - 615.250
Fax. 39 019 - 615.310

www.tameokits.com
sales@tameokits.com
technical@tameokits.com

Made in Italy. Modello per collezionisti in scala 1/43. Vietata la vendita ai minori di 14 anni. Nocivo per ingestione. Conservare fuori dalla portata dei bambini. Tameo Kits declina ogni responsabilità per un uso improprio del prodotto.

Made in Italy. Collector 1/43 Scale Models. Not for sale to persons under 14 years of age. Dangerous if swallowed. Keep out of reach of children. Tameo Kits not held responsible for any damage or injury resulting from improper use of the product.

Made in Italy. Modèle pour collectionneurs échelle 1/43. Vente interdite aux enfants de moins de 14 ans. Dangereux si avalé. Conserver hors de la portée des enfants. Tameo Kits décline toute responsabilité dans le cas de dommages dérivants de l'usage non approprié du produit.

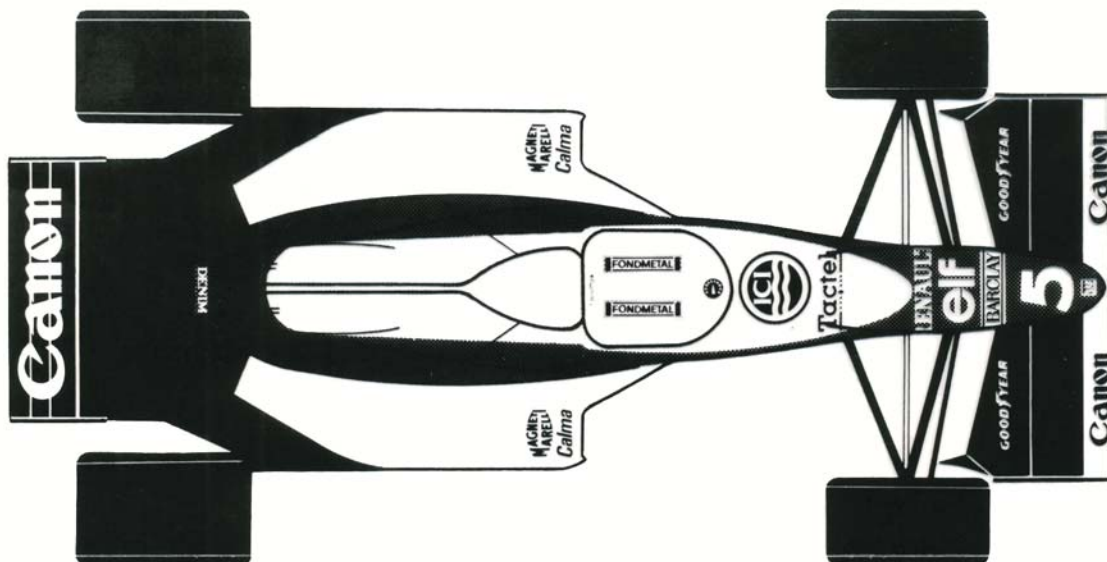
Made in Italy. Sammlermodell im Massstab 1/43. Verkauf an Jugendliche unter 14 Jahren verboten. Schädlich bei Verschlucken. Tameo Kits lehnt jede Verantwortung bei unsachgemässer Benutzung des Produktes ab.

Hecho en Italia. Coleccion de modelos a escala 1/43. Prohibida la venta a menores de 14 años. No comestible. Mantener fuera del alcance de los niños. Tameo Kits no se hace responsable de los daños causados por el uso incorrecto de este producto.

| | | | | | | |
|-------|--|--------------------------------|-------------------------------|---|------------------------------|-------------------------------|
| 0 | Carrozzeria (parte superiore) | Body (upper) | Giallo/Yellow | Laterali alettone posteriore (esterno) | Rear wing end plates (outer) | Avorio (decal)/ Ivory (decal) |
| | Carrozzeria (parte inferiore) | Body (lower) | Bianco/White | 23 Alettone posteriore inferiore | Rear lower wing | Nero Satinato/Satin Black |
| | Interno abitacolo | Cockpit interior | Nero Opaco/Matt Black | 24 Scatola cambio | Gear box | Metallico/Gun Metal |
| | Preso aria motore | Snorkel intake | Nero Opaco/Matt Black | 25-26 Semiassi | Drive shafts | Argento/Silver |
| 1 | Alettone anteriore | Front wing | Nero Satinato/Satin Black | 27-28 Sospensioni posteriori superiori | Rear upper suspensions | Nero Satinato/Satin Black |
| 2-3 | Laterali alettone anteriore (interno) | Front wing end plates (inner) | Nero Satinato/Satin Black | 29-30 Prese aria freni posteriori | Rear brake ducts | Nero Satinato/Satin Black |
| | Laterali alettone anteriore (esterno) | Front wing end plates (outer) | Giallo (decal)/Yellow (decal) | 31-32 Tiranti ammortizzatori posteriori | Rear pull rods | Nero Satinato/Satin Black |
| 4-5 | Puntoni ammortizzatori anteriori | Front push rods | Nero Satinato/Satin Black | 33 Sospensioni posteriori inferiori | Rear lower suspensions | Nero Satinato/Satin Black |
| 6-7 | Sospensioni anteriori superiori | Front upper suspensions | Nero Satinato/Satin Black | 34-35 Derive scivolo | Chassis fences | Nero Satinato/Satin Black |
| 8-9 | Proiezioni specchietti | Mirrors shade | Nero Satinato/Satin Black | 36 Carenatura cambio | Gear box cover | Nero Satinato/Satin Black |
| 10-11 | Specchietti retrovisori | Mirrors | Giallo/Yellow | 37 Pavimento | Chassis floor | Nero Satinato/Satin Black |
| 12 | Cruscotto | Instruments | Nero Opaco/Matt Black | 38 Sedile | Seat | Blu Opaco/Matt Blue |
| 13 | Volante | Steering wheel | Plastica Nera/Black Plastic | 39 Leva cambio | Gear box lever | Legno/Wood |
| 14 | Antenna Radio | Radio | Nero Satinato/Satin Black | 40 Sospensione anteriore inferiore | Gear box lever knob | Nero Satinato/Satin Black |
| 15 | Anello estintore | Extinguisher ring | Nero Satinato/Satin Black | 41-42 Portamazze anteriori | Front lower suspension | Nero Satinato/Satin Black |
| 16 | Poggiatesta | Headrest | Nero Satinato/Satin Black | 43-44 Prese aria freni anteriori | Front uprights | Nero Satinato/Satin Black |
| 17-18 | Predelle fiancate | Sidepods panels | Nero Satinato/Satin Black | 45 Pneumatici anteriori (x 2) | Front brake ducts | Nero Satinato/Satin Black |
| 19 | Alettone posteriore superiore | Rear upper wing | Nero Satinato/Satin Black | 46 Cerchi anteriori (x 2) | Front tyres (x 2) | Plastica Nera/Black Plastic |
| 20 | Flap posteriore | Rear flap | Nero Satinato/Satin Black | 47 Razze ruote anteriori (x 2) | Front wheels (x 2) | Nero Satinato/Satin Black |
| 21-22 | Laterali alettone posteriore (interno) | Rear wing end plates (interno) | Nero Satinato/Satin Black | 48 Pneumatici posteriori | Rear wheels (x 2) | Plastica Nera/Black Plastic |
| | | | | 49 Cerchi posteriori (x 2) | Rear wheels spokes (x 2) | Nero Satinato/Satin Black |
| | | | | 50 Razze ruote posteriori (x 2) | | |

CONVERSIONE COLORI/COLOURS CONVERSION

| | |
|---------------------------|--|
| Bianco/White | Ford Diamond White |
| Giallo/Yellow | Vauxall Autumn Gold |
| Nero Opaco/Matt Black | Humbrol N° 33 |
| Nero Satinato/Satin Black | Humbrol N° 85 - Duplicolor Fiat 77-051 |
| Rosso/Red | Humbrol N° 19 |
| Metallico/Gun Metal | Humbrol N° 53 |
| Argento/Silver | Humbrol N° 11 |
| Blu Opaco/Matt Blue | Humbrol N° 25 |



TMK 113
WILLIAMS RENAULT FW13
G.P. AUSTRALIA 1989



TAMEO KITS
scale racing car models

