

**TAMEO KITS**

**TMK257**

**PROST PEUGEOT AP01**

**S. MARINO G.P. 1998**

Manufactured under license from "SPAR RACING PROMOTION S.A."

**HOW TO DRILL**

• USE THE CORRECT DRILL BIT  
• USE THE CORRECT SPEED

• GOLD HUMBUROL no. 16  
• GUN METAL 14-19 (14-17) 18-19  
• GUN METAL 20-21  
• GUN METAL HUMBUROL no. 53

• TO BEND

**3**

• MATT BLACK REF. HUMBUROL no. 85

• MATT BLACK 32 31 33 28 27 26 34 35 36 38 39 40 41 42 43

• MATT BLACK HUMBUROL no. 69

• MATT RED 60 61 62 63 64 65 66

• SATIN BLACK 59

• TO BEND

• METALIZED BLUE HUMBUROL no. 11

• METALIZED BLUE 1 2 3 4 5

• PARTS No. 1-2-3-4 SLIDE AND STICK BEFORE PAINTING

• METALIZED BLUE HUMBUROL no. 55

• METALIZED BLUE 6 7 8 9

• USE THE COLOR CHIP TO GET THE CORRECT SHADE

• USE THE COLOR CHIP TO GET THE CORRECT SHADE

• METALIZED BLUE HUMBUROL no. 16

• GUN METAL 14-19 (14-17) 18-19

• GUN METAL 20-21

• GUN METAL HUMBUROL no. 53

• TO BEND

• MATT BLACK HUMBUROL no. 10

• MATT BLACK 10 11 12 13

• TO BEND

• SILVER HUMBUROL no. 11

• SILVER 42 43 44 45

• MATT BLACK 42 43 44 45

• TO BEND

• BRONZE HUMBUROL no. 55

• BRONZE 47 48 49 50

• PARTS No. 48 STEEL WIRE DIAM 0.8 mm

• MATT BLACK 47 48 49 50

• TO BEND

• MATT BLACK HUMBUROL no. 51

• MATT BLACK 51 52 53 54 55

• SILVER ONLY TRULLI

• SATIN BLACK 52

• TO BEND

• PARTS No. 50 STEEL WIRE DIAM 0.8 mm

• MATT BLACK 49 50

• TO BEND

• SPECIALIZED BLUE HUMBUROL no. 56

• SPECIALIZED BLUE 56 57 58 59

• ONLY PANS 56 57

• SATIN BLACK 58 59

• TO BEND

• SATIN BLACK 59

• MATT RED HUMBUROL no. 60

• MATT RED 60 61 62 63 64 65 66

• TO BEND

• MATT RED HUMBUROL no. 60

• MATT RED 60 61 62 63 64 65 66

• SATIN BLACK 59

• TO BEND

Made in Italy. Coloretti 811. Serie Modelli. Materia in polistirolo colore 14 anni.  
 Finiture in argento, grigio, rosso e azzurro. L'811 è un kit di montaggio.  
 Finiture in argento, grigio, rosso e azzurro. L'811 è un kit di montaggio.  
 Made in Italy. Coloretti 811. Serie Modelli. Material in polystyrene color 14 years of age.  
 Finishes in silver, grey, red and blue. The 811 is a kit of assembly.  
 Finishes in silver, grey, red and blue. The 811 is a kit of assembly.

Made in Italy. Coloretti 811. Serie Modelli. Material in polystyrene color 14 years of age.  
 Finishes in silver, grey, red and blue. The 811 is a kit of assembly.  
 Finishes in silver, grey, red and blue. The 811 is a kit of assembly.

Made in Italy. Coloretti 811. Serie Modelli. Material in polystyrene color 14 years of age.  
 Finishes in silver, grey, red and blue. The 811 is a kit of assembly.  
 Finishes in silver, grey, red and blue. The 811 is a kit of assembly.

Made in Italy. Coloretti 811. Serie Modelli. Material in polystyrene color 14 years of age.  
 Finishes in silver, grey, red and blue. The 811 is a kit of assembly.  
 Finishes in silver, grey, red and blue. The 811 is a kit of assembly.

Made in Italy. Coloretti 811. Serie Modelli. Material in polystyrene color 14 years of age.  
 Finishes in silver, grey, red and blue. The 811 is a kit of assembly.  
 Finishes in silver, grey, red and blue. The 811 is a kit of assembly.

Made in Italy. Coloretti 811. Serie Modelli. Material in polystyrene color 14 years of age.  
 Finishes in silver, grey, red and blue. The 811 is a kit of assembly.  
 Finishes in silver, grey, red and blue. The 811 is a kit of assembly.

Made in Italy. Coloretti 811. Serie Modelli. Material in polystyrene color 14 years of age.  
 Finishes in silver, grey, red and blue. The 811 is a kit of assembly.  
 Finishes in silver, grey, red and blue. The 811 is a kit of assembly.

Made in Italy. Coloretti 811. Serie Modelli. Material in polystyrene color 14 years of age.  
 Finishes in silver, grey, red and blue. The 811 is a kit of assembly.  
 Finishes in silver, grey, red and blue. The 811 is a kit of assembly.

Made in Italy. Coloretti 811. Serie Modelli. Material in polystyrene color 14 years of age.  
 Finishes in silver, grey, red and blue. The 811 is a kit of assembly.  
 Finishes in silver, grey, red and blue. The 811 is a kit of assembly.

Made in Italy. Coloretti 811. Serie Modelli. Material in polystyrene color 14 years of age.  
 Finishes in silver, grey, red and blue. The 811 is a kit of assembly.  
 Finishes in silver, grey, red and blue. The 811 is a kit of assembly.



• SET HUMEROLI no. 19

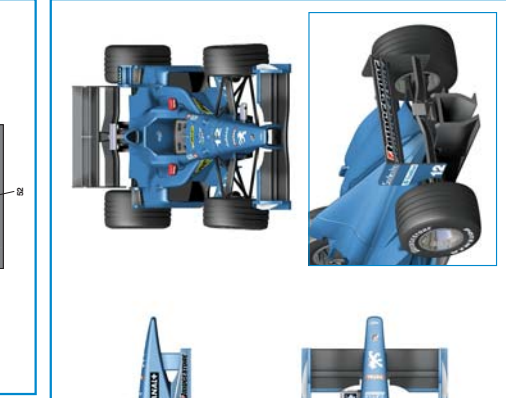
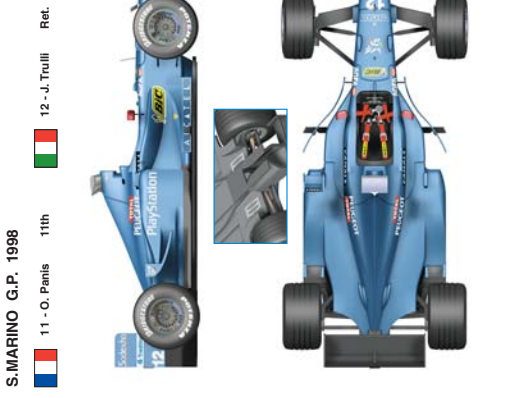
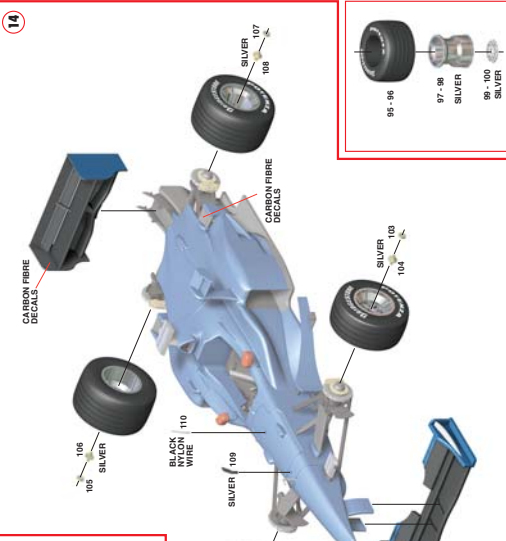
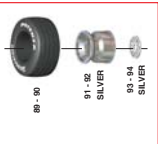
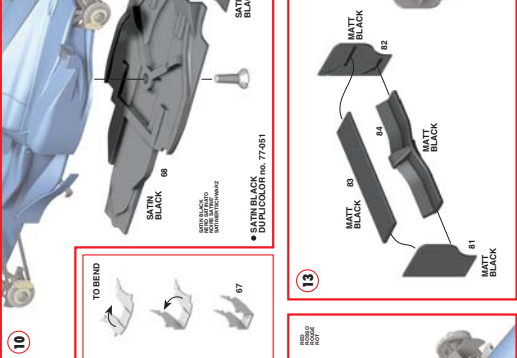
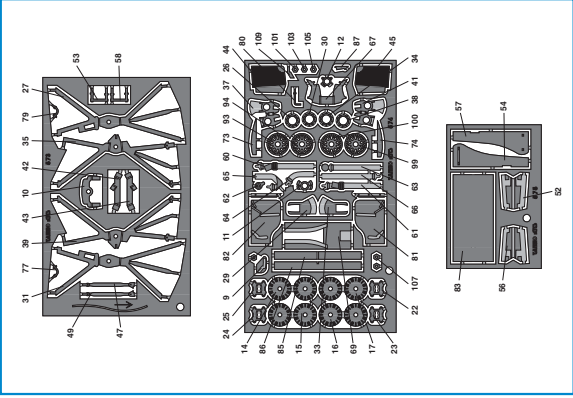
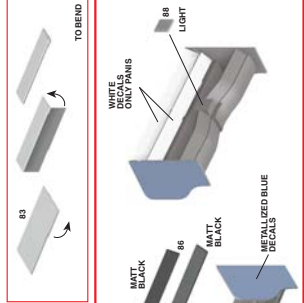
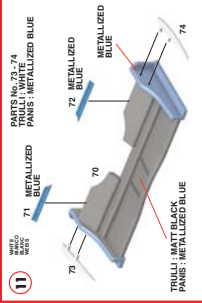
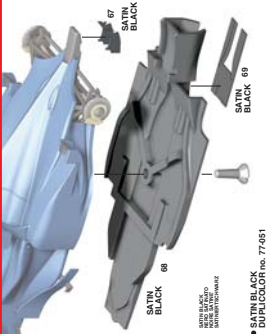




PHOTO 4

## TMK257 PROST PEUGEOT AP01 S. MARINO G.P. 1998



PHOTO 4



PHOTO 4



PHOTO 4

**TAMEO KITS** srl

Via Valle, 25/6  
17022 BORGIO VEREZZI SV ITALY  
Tel. 39 019 - 615.250 Fax. 39 019 - 615.310

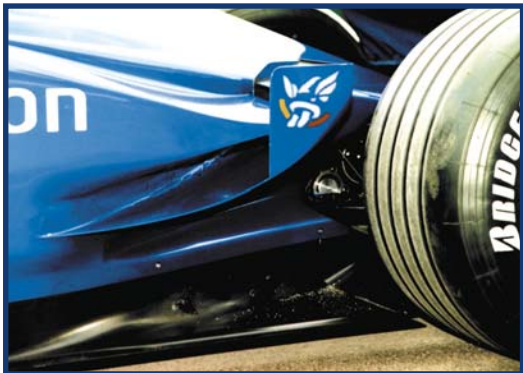
website [www.tameokits.com](http://www.tameokits.com)  
e-mail [sales@tameokits.com](mailto:sales@tameokits.com)  
e-mail [technical@tameokits.com](mailto:technical@tameokits.com)

Made in Italy, Collector 1/43 Scale Models. Vietata la vendita ai minori di 14 anni. Nocivo per ingestione. Conservare fuori dalla portata dei bambini. Tameo Kits declina ogni responsabilità per un uso improprio del prodotto.

Made in Italy, Collector 1/43 Scale Models. Not for sale to persons under 14 years of age. Dangerous if swallowed. Keep out of reach of children. Tameo Kits not held responsible for any damage or injury resulting from improper use of the product.

Made in Italy, Collector 1/43 Scale Models. Vente interdite aux enfants de moins de 14 ans. Dangereux si avalé. Conserver hors de la portée des enfants. Tameo Kits décline toute responsabilité dans le cas de dommages dérivants de l'usage non approprié du produit.

Made in Italy, Collector 1/43 Scale Models. Verkauf an jugendliche unter 14 Jahren verboten. Schädlich bei Einnahme. Von Kindern fernhalten. Tameo Kits lehnt jene Verantwortung bei unkorrektem Gebrauch seines Produktes ab.



This kit is produced without any reference to tobacco brand names due to legal restrictions regarding advertising  
Questo kit è prodotto senza alcun riferimento a marchi di tabacco a causa delle vigenti restrizioni in materia pubblicitaria  
Cette maquette est produit sans référence du nom du tabac à cause de disposition de la loi en cette matière