

U.S.A. G.P. 1991 - PHOENIX

1st Ayrton Senna
Ret. Gerhard Berger



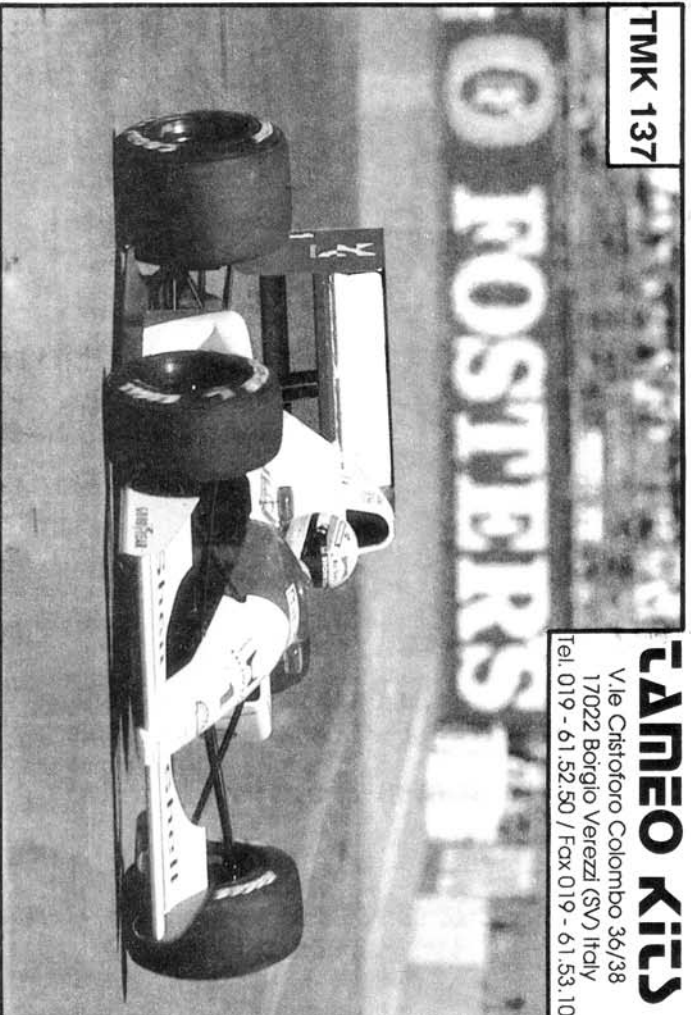
Senna
chassis
MP4/6-3
Berger
chassis
MP4/6-2

Made in Italy. Collector 1/43 Scale Models. Vietata la vendita ai minori di 14 anni. Nocivo per ingestione. Conservare fuori della portata dei bambini. Si declina ogni responsabilità per danni derivanti da uso improprio del prodotto.

Made in Italy. Collector 1/43 Scale Models. Not for sale to person under 14 years of age. Dangerous if swallowed. Keep out of the reach of children. Tameo shall not be held responsible for any damage or injury resulting from improper use of the product.

Fabriqu  en Italie. Collector 1/43 Scale Models. Vente interdite aux enfants de moins de 14 ans. Dangereux si aval . Conserver hors de la port e des enfants. Tameo d cline toute responsabilit  dans le cas de dommages du pr judice d rivant de l'usage non appropri  du produit.

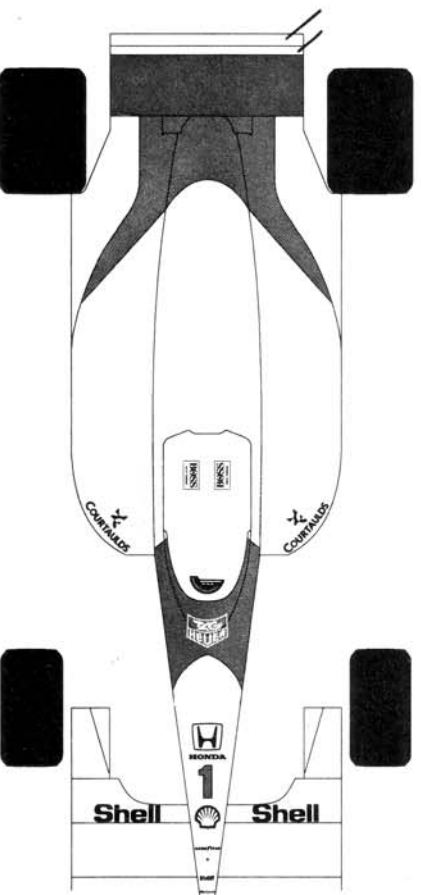
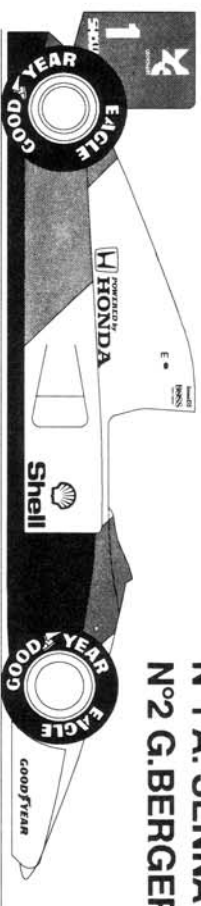
TMK 137



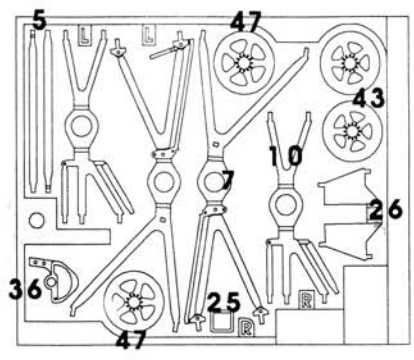
TAMEO KIDS
V.le Cristoforo Colombo 36/38
17022 Borgho Verezzi (SV) Italy
Tel 019 - 61.52.50 / Fax 019 - 61.53.10

MCLAREN MP4/6 U.S.A. G.P. 1991

N 1 A. SENNA
N 2 G.BERGER



Photos by Photo 4



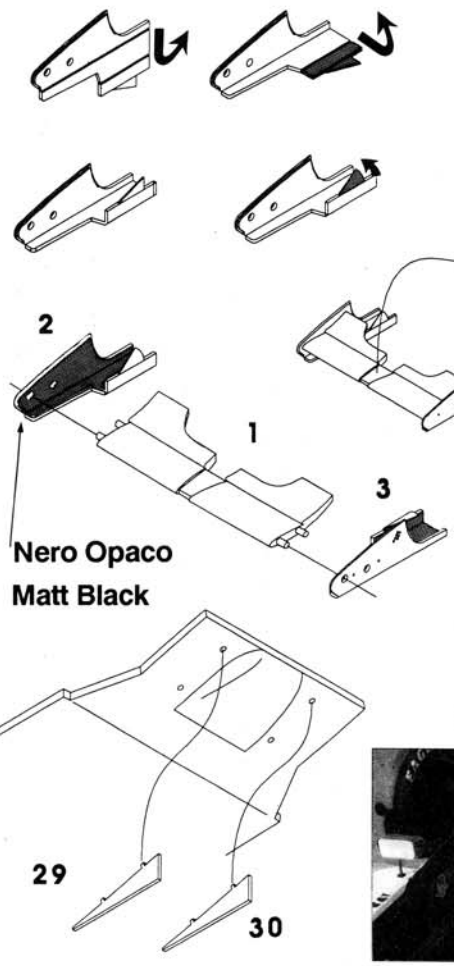
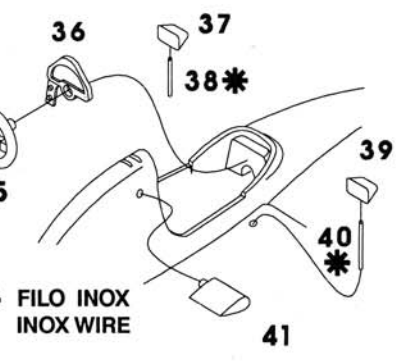
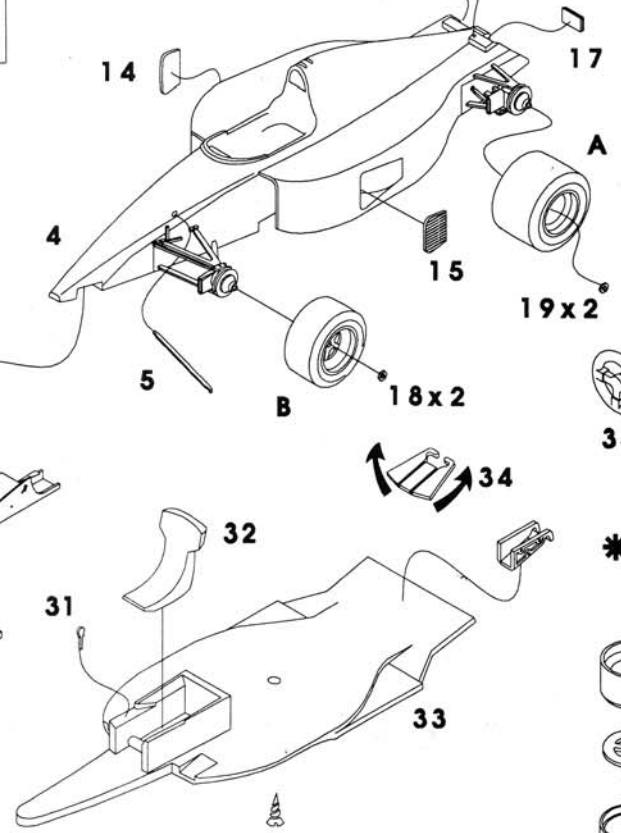
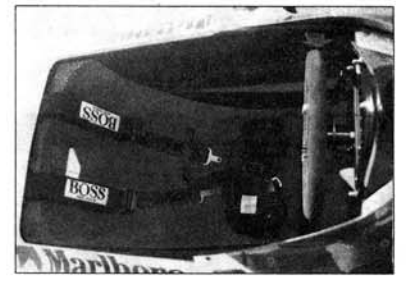
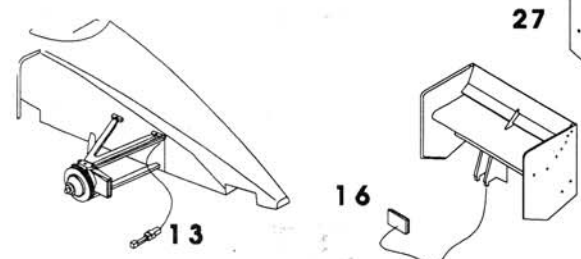
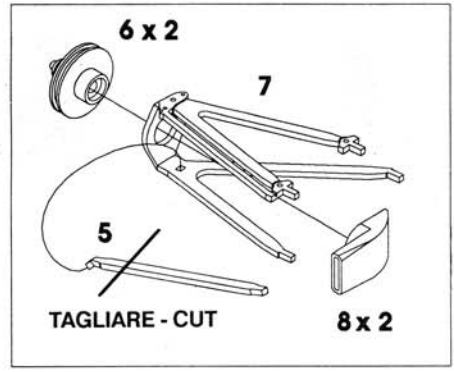
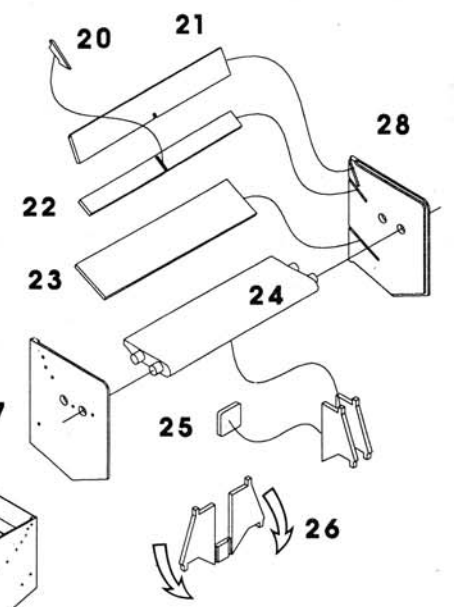
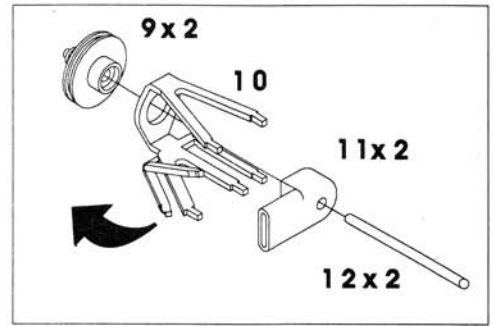
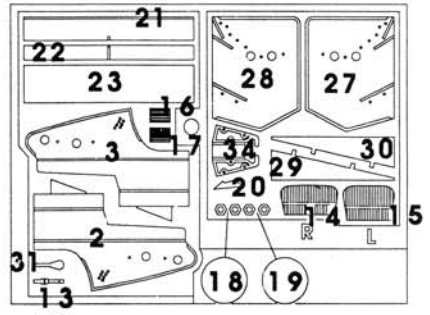
Bianco / White
 Nero Opaco / Matt Black
 Rosso Fluo / Day Glo Red
 Grigio / Grey
 Argento / Silver

1-2-3-4-20-21-22-41
 8-11-13-23-24-25-27-28-29-30-33-34
 -35-38-40
 37-39
 32
 14-15-16-17-18-19-31

Conversione Colori
Colours Conversion

Bianco / White
 Grigio / Grey

Fiat 212 - Ford Diamond White
 Humbrol N° 64



* FILO INOX
 INOX WIRE

